



"WE MAKE THE KITCHEN BETTER!"

Toll Free: 855-855-0399 Email: info@atosausa.com
www.atosa.com | www.atosausa.com
California, Colorado, Florida, Georgia, Illinois,
Massachusetts, New Jersey, Ohio, Texas, Washington

Ice Machine YR280-AP-161





MODELS:
YR280-AP-161

Standard Features

- Up to 283 lbs. production ice machine (per 24 hrs)
- Built-in storage capacity of 88 lbs. (under counters)
- Durable Stainless steel exterior
- Slanted black plastic bin door
- Ice scoop included
- Height includes leg levelers
- Air cooled condenser
- Removable air filter
- Power switch accessible without panel removal
- For freestanding or built-in applications
- Requires use of a drain
- NSF listed



Water filter recommended - maintenance and cleaning are not covered under warranty

HALF-DICED CUBE	INLET HOSE	DRAIN HOSE	ICE SCOOPER
			
WXDXH (IN.) 3/8 x 7/8 x 7/8			

1. Don't forget to leave the unit some room to breathe!
2. Please clean the condenser frequently to give the unit more fresh air.



2 YEAR PARTS AND LABOR WARRANTY (US ONLY)
5 YEAR COMPRESSOR PART WARRANTY (US ONLY)





“WE MAKE THE KITCHEN BETTER!”

Toll Free: 855-855-0399 Email: info@atosausa.com
 www.atosa.com | www.atosausa.com
 California, Colorado, Florida, Georgia, Illinois,
 Massachusetts, New Jersey, Ohio, Texas, Washington

SPECIFICATIONS

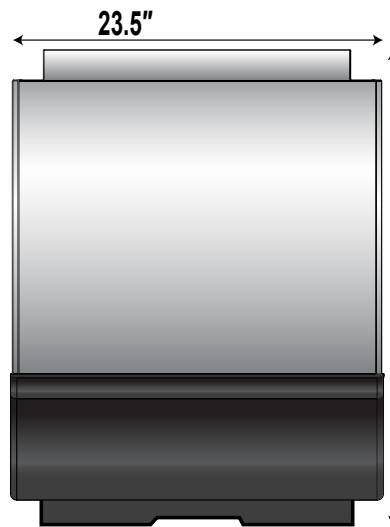
Model	Type	Exterior Dimension	Gross Weight	Power	Ice-making Capacity	Voltage	Rated Current	Legs	Refrigerant
YR280 AP-161	Cube Ice	23.5×28.5×38.6	187.39 lbs.	704 w	283 lbs / 24 hr	115V60Hz	7.2	6 in.	R290

PLAN VIEW

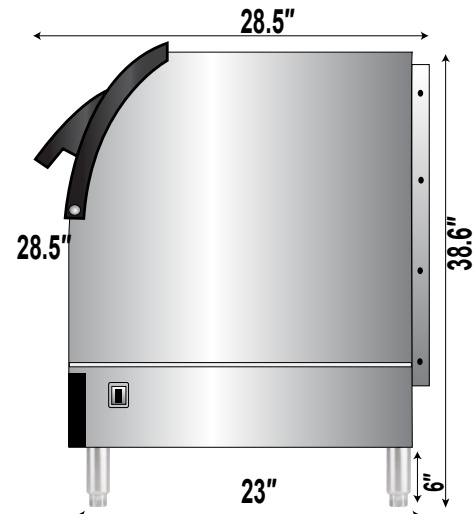
YR280-AP-161 Front View



YR280-AP-161 Top View



YR280-AP-161 Side View



Ice Machine Comparison

Model	Type	Exterior Dimension	Gross Weight	Power	Ice-making Capacity	Voltage	Rated Current	Legs	Refrigerant
YR140-AP-161	Cube ice	23.5×28.5×38.6	176.3 lbs	363 w	142 lbs. 24hr	115V60Hz	3.1	6 in.	R290
YR450-AP-161	Cube ice	30.2×24.45×21.7	158 lbs	965 w	460 lbs. 24hr	115V60Hz	9.6	6 in.	R290
YR800-AP-261	Cube ice	30.2×24.45×31.7	231 lbs	1750 w	810 lbs. 24hr	220V60Hz	9	6 in.	R-404a