



UCG100A

Features

- Produces clear, long-lasting gourmet cubes.
- Space-saving 18¼ in. (467 mm) wide under-counter design.
- Produces up to 114 lbs. (43 kg) of ice per day.
- Constructed from sturdy, corrosion-resistant stainless steel and fingerprint-proof plastic.
- Ideal for any under-counter or bar application.
- Contemporary, elegant design.
- Environmentally friendly R290A refrigerant.

Space-Saving Solutions

- Front air discharge design for compact spaces.
- Low profile top saves counter space.
- Fits under compliant counters.
- Stores up to 48 ½ lbs. (22 kg) of ice.
- Easy front access to ice.
- Removable Air Filter.

Options & Accessories

Ice Machine Model	WATER FILTERS		
	Manifold		Inline
	System	Replacement	System
UCG100A	IFQ1-S	IOMQ-S	IF14C / IF18C

Ice Maker Warranty

Every UCG Ice-O-Matic ice maker is backed by a warranty that provides both parts and labor coverage.

- Three years parts and labor.

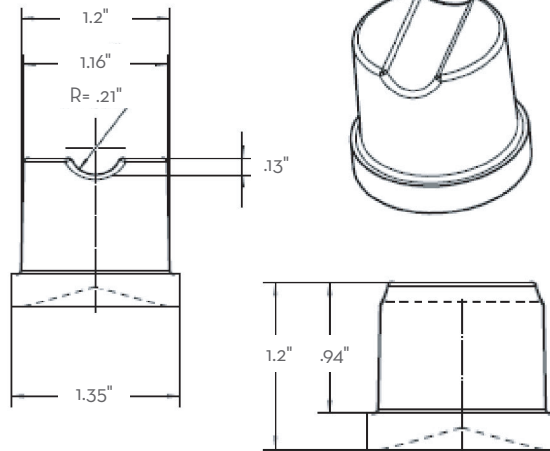
Ice Form



GOURMET ICE

GOURMET ICE DIMENSIONS

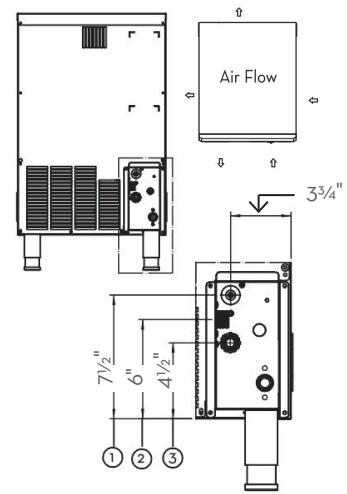
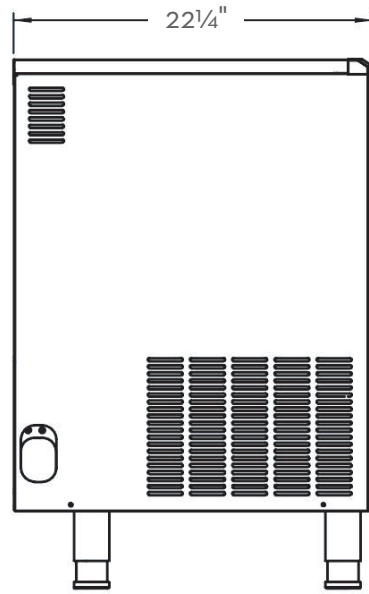
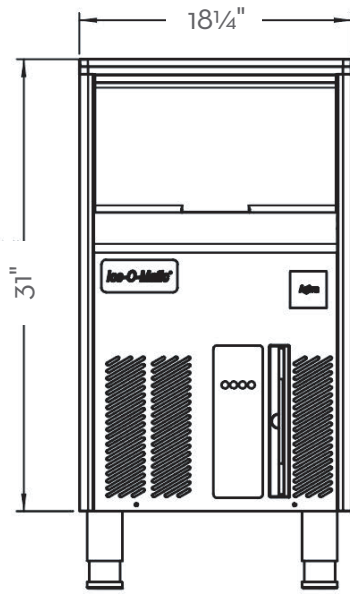
Height	1.2" (30.5 mm)
Diameter	1.35" (34.25 mm)



UCG100A GOURMET SERIES UNDERCOUNTER



UCG100A GOURMET SERIES UNDERCOUNTER



Legs Included

Extends from 5" to 6 3/4"



UCG SHORT LEG OPTION

Extends from 2 1/8" to 2 1/2"



Part No.
1011411-87

- 1 - Power Cord
- 2 - 3/4" Water Inlet
- 3 - 25/32" Water Drain

Dimensions

MODELS	LEGS INCLUDED	UCG SHORT LEG OPTION
W x D x H (in.)	*18 1/4 x 22 1/4 x 31	18 1/4 x 22 1/4 x 33 1/8 (min) 18 1/4 x 22 1/4 x 33 1/2 (max) COST OPTION
W x D x H (mm)	*464 x 565 x 788	464 x 565 x 842 (min) 464 x 565 x 851 (max) COST OPTION

* Dimensions do not account for Included or UCG Short Leg Option.

Operating Requirements

	MINIMUM	MAXIMUM
	60 Hz	
Ambient Temp. Range Air	50°F (10°C)	109°F (43°C)
Water Temp.	41°F (5°C)	100°F (38°C)
Water Pressure	14 PSI (1 BAR)	70 PSI (5 BAR)
Electrical Voltage	115V/60Hz/1ph	

Specifications

Model Number	Cond. Unit	Ice Production per 24hrs		Storage Capacity lbs (kg)	Water Consumption gal/hr	kWH Used per 100 lbs (45 kg) of ice @ 90°F (32°C) air/ 70°F (21°C) water	Amp Max @ (32°C) air/ (32°C) water	Voltage Characteristics
		70°F (21°C) air/ 50°F (10°C) water lbs (kg)	90°F (32°C) air/ 70°F (21°C) water lbs (kg)					
UCG100A	Air	114 (43)	91.7 (41)	48.5 (22)	1.27	9.9	5.6	115/60/1

NOTES:

Approx. Shipping Weight lbs (kg): 97 (44)

Refrigerant Type: R290A

All specifications and performance data are subject to normal manufacturing variances.

Ice-O-Matic reserves the right to change the specifications at any time without obligation. Certifications may vary depending on country of origin.