

REFRIGERATOR MANUFACTURER
Turbo air
 more durable, efficient, beautiful

4184 E. Conant St.
 Long Beach, CA 90808
 Tel. 310-900-1000
 Fax. 310-900-1077
www.turboairinc.com

Project:	
Model #:	
Item #:	
Available W/H:	Qty:
Approval:	
AIA #:	SIS #:
CSI Section 11400	

Combination Case

European Straight Front Display Cases
 Open Display Merchandisers

Patented Self-Cleaning Condenser



This product is equipped with a fine mesh filter to the front of the condenser to catch dust, and a rotating brush that moves up and down daily to remove excess buildup outward and away.

Model : TOM-W-60SB-UF-N

TWO FUNCTIONS IN ONE REFRIGERATOR

(Refrigerated Merchandiser + Refrigerated Top Display Case)



FEATURES & BENEFITS

Self-Cleaning Condenser

The accumulation of dust in the condenser can cause the failure or breakdown of refrigerators. Refrigerators run normally until they reach a certain level of accumulation. At some point, when they are over the limit, their performance drops quickly resulting in damage to, or disposal of the stored products inside. The Self-Cleaning Condenser device keeps the condenser clean and prevents system failure by automatically brushing daily.

Hydrocarbon refrigerants (R-290)

With innovative and eco-friendly technology, Turbo Air brings you hydrocarbon refrigerators designed to meet DOE's Energy Conservation Standards in 2017 and to use EPA's SNAP Program approved HC refrigerants. Hydrocarbon refrigerants do not deplete the ozone layer and have very low contribution to global warming (ODP-0, GWP-3).

Modern design

By integrating great contours with durable structures, our modern style product designs are user-friendly while maintaining the highest product visibility and aesthetics. Safety reinforced tempered glass front shield and side walls optimize the merchandiser's display effects of fresh salads, sandwiches, desserts and beverages. Its elegant contemporary euro design will enhance any store application.

LED interior lighting

Designed to enhance impulsive sales

Ideal for eye-catching displays and convenient access with fast service in high traffic area.

Stainless steel interior standard including back wall and deck pans

Stainless steel solid shelves standard

Standard back-guard improves airflow

Foamed with polyurethane, high-density cell insulation (CFC Free)

Perforated interior back wall and top for improved airflow


Front air intake and rear air discharge

NATURAL Refrigerant



Model	CU./FT. (Top / Bottom)	HP	AMPS	Crated Weight (lbs.)	L x D x H* (inches)
TOM-W-60SB-UF-N	7.0 / 10.7	3/4 x 2	14.7	730	625/8 x 341/8 x 563/4

Model : TOM-W-60SB-UF-N

ELECTRICAL DATA		
Voltage	115/60/1	
Plug Type	 NEMA 5-20P	
Full Load Amperes	14.7	
Compressor HP	3/4 x 2	
Cord Length (ft.)	97/8	
Refrigerant	R-290	
DIMENSIONAL DATA		
Net Capacity (Top / Bottom) (cu. ft.)	7.0 / 10.7	
Ext. Dimension (L x D x H*) (in.)	62 5/8 x 34 1/8 x 56 3/4	
Int. Dimensions (L x D x H) (in.)	Top	59 1/2 x 13 x 15 3/4
	Bottom	59 1/2 x 24 x 13 7/8
# of Shelves	2	
Shelf Size (L x D) (in.)	Top	58 1/4 x 10 3/4
	Bottom	59 3/8 x 9 7/8
Net Weight (lbs.)	567	
Gross Weight (lbs.)	730	

Design and specifications subject to change without notice.
Actual shipping weight may differ due to extra packing materials for product protection.
* Height does not include 5/8" for bolt height.

■ **WARRANTY :** 2 Year Parts and Labor Warranty
Additional 3 Year Warranty on Compressor

■ STANDARD FEATURES

- Simple plug-in installation
- Patented self-contained system, no plumbing required
- Standard color comes in black only
- Solar powered digital thermometer
- Digital electronic thermostat with defrost control
- Bolt height adjustable up to 2-3/4"

■ Recommended operating conditions

TOM models are designed to operate in an environment where temperature & humidity do not exceed 80°F and 55% respectively. Units should not be installed near HVAC vents, fans or doorways that will disrupt the air curtain and compromise the function of the cabinet. Air curtain models will run most efficiently when completely loaded with product. When used as a built-in, required clearance for the rear is 4" and the top is 5".

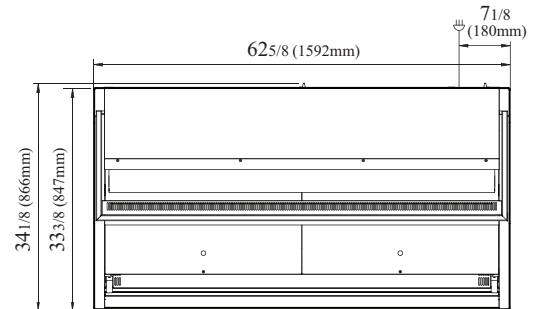
■ OPTIONAL ACCESSORIES

- 1.6" caster: CAS16WBT00 (non-brake)
- 4" caster, 1/2" diameter & 13 TPI: G8F6500101 (non-brake), G8F6500201 (w/ brake)
- 6" leveling seismic leg (1/2", 13 TPI): 30221M0700
- White color option available (Lead time applies. Please contact your sales representative for more details to order.)
- Price tag channel: PW600000ZK (58"L)
- * Night Cover (NCT) is not applicable to TOM-W models.

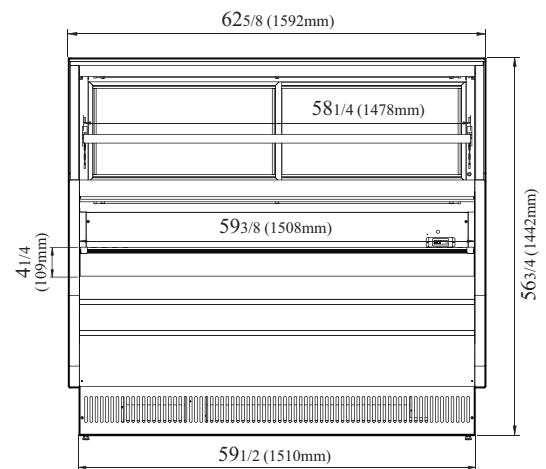
Ver.20220926

PLAN VIEW

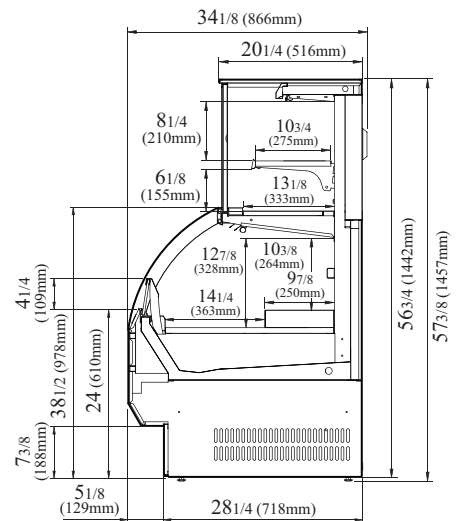
(unit : inch)



TOP VIEW



FRONT VIEW



SIDE VIEW



- Turbo Air : 800-627-0032
- GK : 800-500-3519
- Warranty : 800-381-7770
- AC : 888-900-1002