

 REFRIGERATOR MANUFACTURER Turbo air more durable, efficient, beautiful	4184 E. Conant St. Long Beach, CA 90808 Tel. 310-900-1000 Fax. 310-900-1077 www.turboairinc.com	Project:	
		Model #:	
		Item #:	
		Available W/H:	Qty:
		Approval:	
		AIA #:	SIS #:
		CSI Section 11400	

Back Bar *Underbar Equipment
Super Deluxe Series*

Model : TBB-1SBD-N6





FEATURES & BENEFITS

- **Hydrocarbon refrigerants (R-600a)**
 With innovative and eco-friendly technology, Turbo Air brings you hydrocarbon refrigerators designed to meet DOE's Energy Conservation Standards in 2017 and to use EPA's SNAP Program approved HC refrigerants. Hydrocarbon refrigerants do not deplete the ozone layer and have very low contribution to global warming (ODP-0, GWP-3).
- **Forced air cooling system**
 Fast cooling and balanced temperature throughout the cabinet.
- **Ergonomically designed doors**
 Customers' fatigue fades away with easy grip handles and doors that open effortlessly. These features along with self-closing doors make this the ultimate choice in customer convenience.
- **High-density polyurethane insulation**
 The entire cabinet structure is foamed-in-place using high density, HCFC free polyurethane insulation.
- **Stainless steel countertop and interior**
 The exterior of the cabinet is constructed with heavy gauge reinforced stainless steel countertop and wear-resistant black vinyl coated galvanized steel. The interior is painted galvanized steel with reinforced stainless steel floor. Turbo Air Back Bar model guarantees the utmost in cleanliness and long product life. It also adds a touch of style to the most refined setting.
- **LED interior lighting**
- **Adjustable, heavy duty, PE (polyethylene) coated wire shelves**
- **Refrigerator holds 33°F ~ 38°F for the best in beverage preservation**



Model	Swing Door	CU./FT.	1/2 Barrels	#of Shelves	HP	AMPS	Crated Weight (lbs.)	L x D x H† (inches)
TBB-1SBD-N6	1	7.76	1	2	1/8	1.3	212	235/8 x 293/4 x 341/2

Model : TBB-1SBD-N6

ELECTRICAL DATA		
Voltage	115/60/1	
Plug Type	 NEMA 5-15P	
Full Load Amperes	1.3	
Compressor HP	1/8	
Refrigerant	R-600a	
Cord Length (ft.)	8.5	
Lamp (W)	6.5	
DIMENSIONAL DATA		
Capacity	1/2 Barrels	1
	cu. ft.	7.76
Ext. Length Overall (in.)		23 ⁵ / ₈ (600mm)
Ext. Depth Overall (in.)*		29 ³ / ₄ (756mm)
Ext. Height Overall (in.)†		34 ¹ / ₂ (875mm)
# of Swing Door		1
# of Shelves		2
Shelf size (L x D) (in.)		18 ¹ / ₂ x 19 ¹ / ₂
# of Casters		4EA
Net Weight (lbs.)		190
Gross Weight (lbs.)		212

Design and specifications subject to change without notice.

Actual shipping weight may differ due to extra packing materials for product protection.

* Depth does not include 3/8" for door handle. Depth does not include 2-3/8" for rear spacers.

† Height does not include 4-7/8" for caster height.

- **WARRANTY : 5 Year Parts and Labor Warranty**
7 Year Compressor Warranty

■ STANDARD FEATURES

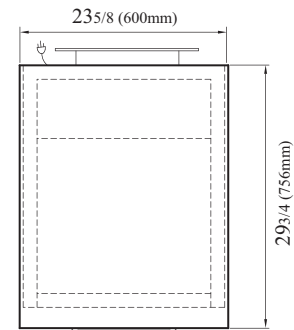
- Anti-corrosion coated evaporator
- Self-contained system
- 4" dia. swivel casters with locks on the front set
- Door locks

■ OPTIONAL ACCESSORIES

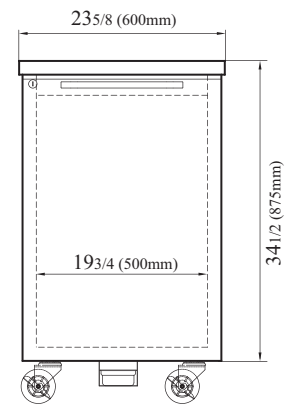
- Additional PE coated wire shelf: P0178D0100

PLAN VIEW

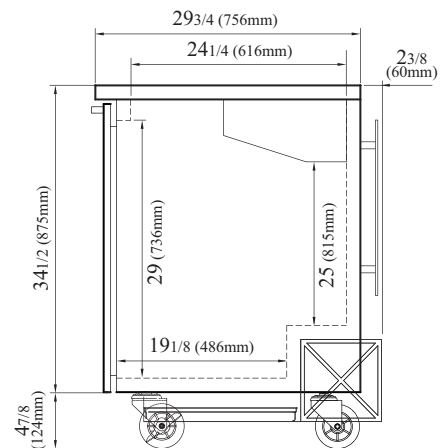
(unit : inch)



TOP VIEW



FRONT VIEW



SIDE VIEW

Ver.20230103

NATURAL Refrigerant

SPEC
ISO 9001:2008

ETL
Intertek

ETL
Intertek

3 YEAR WARRANTY

Compressor 7 YEAR WARRANTY
(U.S.A. only)

- Turbo Air : 800-627-0032
- GK : 800-500-3519
- Warranty : 800-381-7770
- AC : 888-900-1002

Turbo air
REFRIGERATOR MANUFACTURER

GERMAN KNIFE

RADIANCE

Turbo air
REFRIGERATION SYSTEM

Texaking