



PROJECT NAME		LOCATION	AIA #
ITEM #	QTY	MODEL #	SIS #

# SPEC SERIES®

REACH-IN GLASS SWING DOOR HEATED CABINETS

models	STR1H-1G	STA1H-1G	STG1H-1G
--------	----------	----------	----------



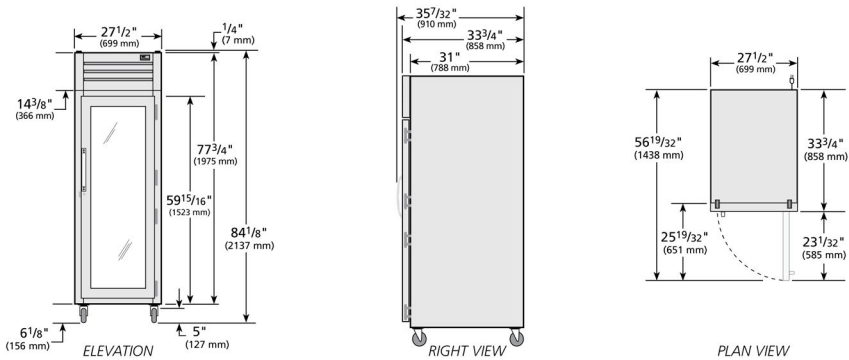
STR1H-1G	
<b>Exterior</b>	Stainless steel door, front & sides.
<b>Interior</b>	Stainless steel side walls, back, floor, door liner, & ceiling.
<b>Shelving</b>	(1) Interior kit option included per full section.

STA1H-1G	
<b>Exterior</b>	Stainless steel door, front & sides.
<b>Interior</b>	Aluminum side walls & back. Stainless steel floor & ceiling.
<b>Shelving</b>	(3) Heavy duty, chrome plated, wire shelves per section.

STG1H-1G	
<b>Exterior</b>	Stainless steel door, with matching aluminum sides.
<b>Interior</b>	Aluminum side walls & back. Stainless steel floor & ceiling.
<b>Shelving</b>	(3) Heavy duty, chrome plated, wire shelves per section.

SPECIFICATIONS		
Dimensions	in.	mm.
Length	27½	699
Depth	33¾	858
Height	77¾	1975
<b>Electrical</b>	<b>U.S.</b>	<b>International</b>
Watts	1500	
Voltage	208-230/60/1	
NEMA	6-15P	
Cord Length	9 ft.	2.74 M.
208-240/60/1 NEMA-6-15R		
* Height does not include 6½" (156 mm) for castors or 6" (153 mm) for optional legs. Height does not include ¼" (7mm) for system mechanical components.		

## plan view



Specifications subject to change without notice.  
 Chart dimensions are rounded up to the nearest 1/8" (millimeters rounded up to the next whole number).



PROJECT NAME	LOCATION	AIA #
ITEM #	QTY	MODEL #
		SIS #

# SPEC SERIES®

REACH-IN GLASS SWING DOOR HEATED CABINETS

models	STR1H-1G	STA1H-1G	STG1H-1G
--------	----------	----------	----------



## standard features

### HEATER SYSTEM

- Cabinet designed to provide holding temperatures of 140°F to 180°F (60°C to 82.2°C). Heating system controlled by exterior on/off switch and electronic temperature control.
- One (1) stainless steel (for corrosion resistance), heating element for uniform generation of electric heat. Cabinet comes with a total of 1500 watts.
- Equipped with low-velocity fans to assure even temperature distribution throughout the cabinet.
- Manually controlled vent located on top of the cabinet for positive humidity control.

### CABINET CONSTRUCTION

- Insulation - Entire cabinet structure and solid door are foamed-in-place using a high density, polyurethane insulation that has zero ozone depletion potential (ODP) and zero global warming potential (GWP).
- 5" (127 mm) diameter plate castors - locks provided on front set.

### DOOR

- "Low-E", double pane thermal insulated glass.
- Lifetime guaranteed bolt style door lock standard.
- Lifetime guaranteed heavy duty all metal working door handle.
- Positive seal self-closing door with 120° stay open feature. Lifetime guaranteed external cam lift door hinges, four (4) per door section.

- Magnetic door gaskets of one piece construction, removable without tools for ease of cleaning.

### LIGHTING

- Incandescent interior lighting; lights activated by exterior on/off switch, safety shielded.

### MODEL FEATURES

- Exterior digital temperature display, available with either °F or °C .
- Designed to hold warm baked or cooked food. Cabinet is not designed to heat ambient or cold product.
- NSF-4 compliant for open food product.

### ELECTRICAL

- True requires that a sole use circuit be dedicated for the unit.
- Unit completely pre-wired at factory and ready for final connection to a 208-230/60/1 Hz. single phase, 15 amp dedicated outlet. Cord and plug set included.

### OPTIONAL FEATURES/ ACCESSORIES

*(upcharge & lead times may apply)*

- 6" (153 mm) standard legs.
- 6" (153 mm) seismic/flanged legs.
- Additional shelves.
- Stainless back. (STR, STA, STG)
- Field reversible hinge.

### SHELVING KIT OPTIONS

- STR series kits factory installed at no charge. STA & STG series kits field installed, upcharge applies, lead times may apply.

- Kit #1: Nine (9) sets of #1 type tray slides and pilasters (field installed), bottom support of one (1) 18"L x 26"D (458 mm x 661 mm) pan or two (2) 14"L x 18"D (356 mm x 458 mm) pans.
- Kit #2: One (1) set half-section #2 steel rod tray slides and pilasters (factory installed), rim support of one (1) 18"L x 26"D (458 mm x 661 mm) pan.
- Kit #3: Six (6) sets of universal type tray slides and pilasters (factory installed), bottom support of one (1) 18"L x 26"D (458 mm x 661 mm) pan, two (2) 14"L x 18"D (356 mm x 458 mm) pans or two (2) 12"L x 20"D (305 mm x 508 mm) pans.
- Kit #4: Three (3) chrome shelves 25"L x 27¾"D (635 mm x 705 mm). Four (4) shelf clips included per shelf and wall mounted pilasters (factory installed). Shelves adjustable on ½" (13 mm) increments.
- Stainless steel (electro polished) shelves to be used with Kit Option #4.
- Additional kit option components available individually. Upcharge applies.

METRIC DIMENSIONS ROUNDED UP TO THE NEAREST WHOLE MILLIMETER  
 SPECIFICATIONS SUBJECT TO CHANGE WITHOUT NOTICE

	Model	Elevation	Right	Plan	3D	Back
	ST( )1H-1G					