



# BEVERAGE-AIR

|                 |      |
|-----------------|------|
| Project: _____  | AIA# |
| Item: _____     |      |
| Location: _____ | SIS# |
| Approved: _____ |      |

**SPE27HC SANDWICH PREP: STANDARD TOP**

## FOOD PREPARATION TABLES

### SPE27HC Sandwich Prep Table

### Hydrocarbon Series

**MODEL:  
SPE27HC**



**5 Year Parts/Labor Warranty Available**  
**7 Year Compressor Warranty**

#### CABINET CONSTRUCTION

- Stainless steel front, sides, top, door and grille (galvanized back & bottom)
- Interior liner is made of corrosion resistant aluminum
- Full electronic control
- Airflow assures that product in open containers is kept below 41°F and above freezing
- Self-closing door with 120° stay-open feature on cartridge style hinges
- Snap-in magnetic gaskets for positive door seal
- Painted aluminum door handle
- 6" Casters, 2 with brakes standard
- 10" Wide cutting board constructed of white polyethylene plastic
- Cutting board removable for cleaning
- Two (2) epoxy-coated steel wire shelves
- Six (6) 1/6 4" deep pans constructed of polycarbonate plastic
- Two (2) 1/9 4" deep pans constructed of polycarbonate plastic

#### OPTIONS & ACCESSORIES

- 3 Year parts/labor standard, additional 2 year warranty available
- Stainless steel back
- Stainless steel interior
- Left hinged door (at time of order)
- Clear lid
- Door lock
- Overshelves (single or double)
- Crumb catcher kit
- Richlite cutting board
- Night cover
- Epoxy coated shelves
- Shelf clips
- Shelf dividers
- Bottle organizer
- Bun rack
- Pan supports
- Pan support crossbar
- 6" Legs or 3" casters
- Low profile casters
- Remote option\* (see note on back page)

#### REFRIGERATION SYSTEM

- Uses environmentally friendly, energy efficient R290 refrigerant, and meets all regulatory requirements for CARB, SNAP, DOE & more
- Adaptive defrost
- Epoxy coated evaporator coil
- Enhanced airflow maintains temperatures between 36° - 38°F



 ENERGY STAR  
 Please verify qualifying units by visiting:  
[www.energystar.gov/cfs](http://www.energystar.gov/cfs)

3779 Champion Blvd., Winston-Salem, NC 27105  
 1-888-845-9800 Fax: 1-336-245-6453  
 Beverage-Air.com Sales@bevair.com



# BEVERAGE-AIR

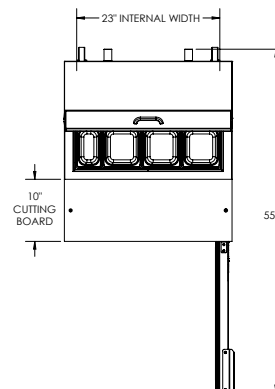
| MODEL                            | SPE27HC   |
|----------------------------------|---|
| <b>EXTERNAL DIMENSIONAL DATA</b> |   |
| Width Overall                    | 27"   |
| Depth Overall                    | 31"   |
| Height Overall (with casters)    | 45 <sup>3</sup> / <sub>8</sub> "                                    |
| Number Doors                     | 1   |
| Depth with Door Open 90°         | 55 <sup>3</sup> / <sub>8</sub> "                                    |
| Door Opening                     | 22 <sup>5</sup> / <sub>8</sub> " x 21 <sup>5</sup> / <sub>8</sub> " |
| Width, Cutting Board             | 10"   |
| <b>INTERNAL DIMENSIONAL DATA</b> |   |
| NET Capacity (cubic ft.)         | 6.91  |
| Internal Width Overall (in)      | 23"   |
| Internal Depth Overall (in)      | 23 <sup>1</sup> / <sub>2</sub> "                                    |
| Internal Height Usable (in)      | 23"   |
| No. of Shelves                   | 2   |
| No. of Pans                      | 8   |
| <b>ELECTRICAL DATA</b>           |   |
| Full Load Amperes                | 2.0   |
| <b>REFRIGERATION DATA</b>        |   |
| Horsepower                       | 1/10  |
| Capacity (BTU/Hr)                | 1110  |
| Heat Rejection (BTU/Hr)          | 1665  |
| Charge (lbs/grams)               | 0.1102/50   |
| <b>SHIPPING DATA</b>             |   |
| Gross Weight - Crated            | 202 lbs   |
| Height - Crated                  | 46"   |
| Width - Crated                   | 30"   |
| Depth - Crated                   | 33"   |

\*NOTE: Remote units are field wired and come with 6" legs.  
Refrigerant must be specified at time of order.

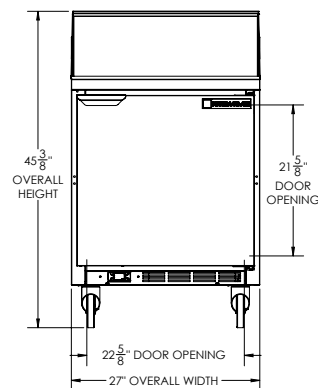
## Food Preparation Table: Standard Top Model: SPE27HC

### Model Views

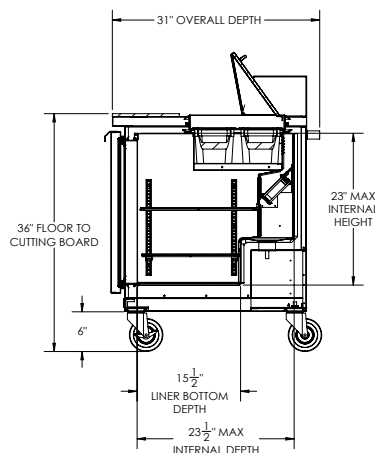
Required Clearance: 3" bottom & 2" rear



### PLAN VIEW



### ELEVATION VIEW



### SIDE VIEW



### ELECTRICAL CONNECTION

115/60/1  
NEMA 5-15P

Unit pre-wired at factory  
and include 8' long cord  
and plug set.