



Project: _____

Model: _____ Series #: _____

Dealer: _____ Quantity#: _____

Delivery address: _____ Date: _____

Remoted Condenser Ice Machine

Full Cubic Ice

Model#SK-529 (Ice Machine)



Features

- Exquisite Sheet Metal Craftsmanship, The frame structure is riveted without welding
- Whole machine is used with 304 stainless steel and some parts are used with 316 stainless steel
- Import Advanced Famous Parts in the world: Secop compressor from Germany, EBM condenser fan from Germany, Danfoss expansion valve from Denmark, Deltrol drain valve from America, Eltek water inlet valve from Italy
- Anticorrosive chemical nickel plated evaporator
- Digital control panel with fault code remind and ice thickness
- Both side air filter design is easy for cleaning and changing
- Environmental Friendly Food Grade Materials : ABS & PE
- Intelligent voiced failure function system, Automatic clean system function, one button to be done, 10. Equipped with one water filter, clean water is guranteed
- Ice making capacity: 500lbs/24hours, Ambient temperature 70°F, water temperature 50°F

WARRANTY:

- 2 Years Parts and Labor
- 6 Years compressor (Additional 4 years parts only)
- westlake is responsible for components failure. but is not responsible for improper operation failure and artificial damage.





Remoted Condenser Ice Machine

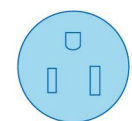
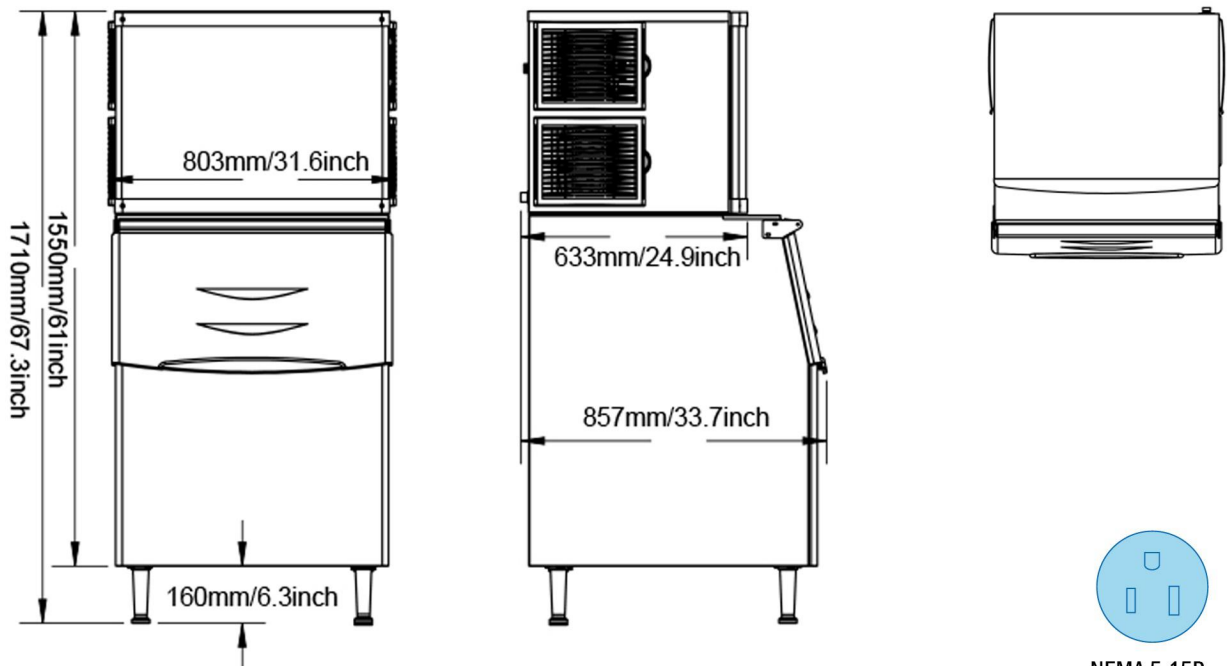
Full Cubic Ice

Model#SK-529(Ice Machine)

TECHNICAL DATA

Model #	SK-529
Output(lb/24hr)	500
Bin Capacity (lb)	375
Voltage (V/Hz)	115V/60Hz
Power (W)	1050
Condenser Unit	Air Cooling
Refrigerant	R290
One Lot Quantity	240 Pcs
Ice Output Cycle	15-20 Minutes
Dimension	29 9/10"Wx32 2/3"Dx67 2/3"H
Cord Type	NEMA 5-15P
Cord Length	71"

PLAN VIEW



NEMA 5-15P