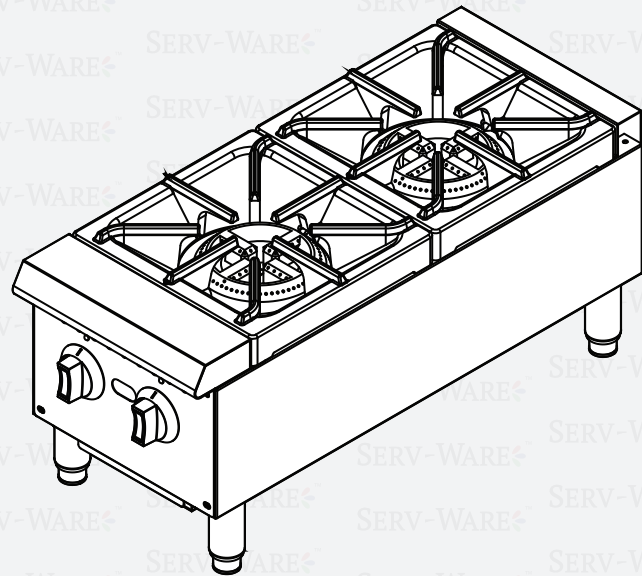


Isometric View



➤ **Technical Information:**

MODEL #	DESCRIPTION	DIMENSIONS	WEIGHT/LBS.
		(W x D x H)	(Shipping)
SHPS-12	2 Burner	12" W x 27.2" D x 11.28" H	100 lbs.

CONSTRUCTION
Stainless steel construction with heavy-duty cast iron grates

COOKING	
BTU/H per Burner	25,000
Gas Line	3/4
W.C. for Natural Gas	4 in.
W.C. for LP	10 in.



Prop. 65 Warning for California Residents
 WARNING: This product may contain chemicals known to the State of California to cause cancer, birth defects, or other reproductive harm.



Phone: (800) 768.5953
 Fax: (800) 976.1299