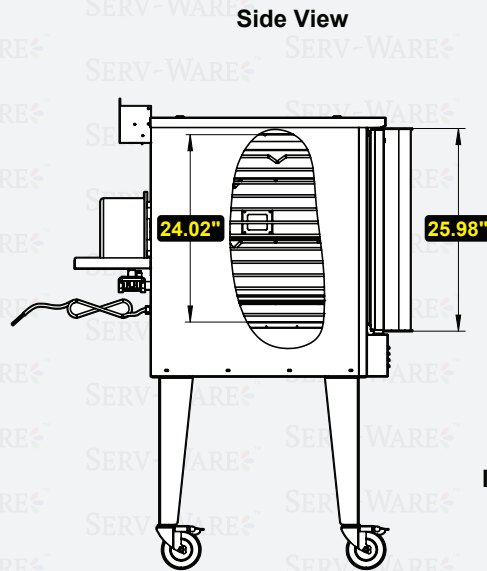
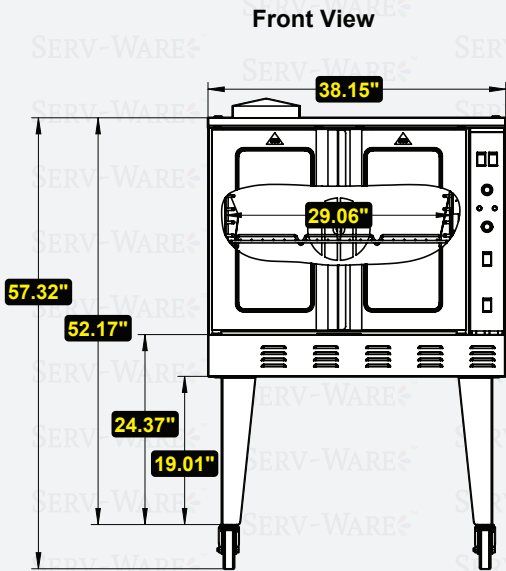


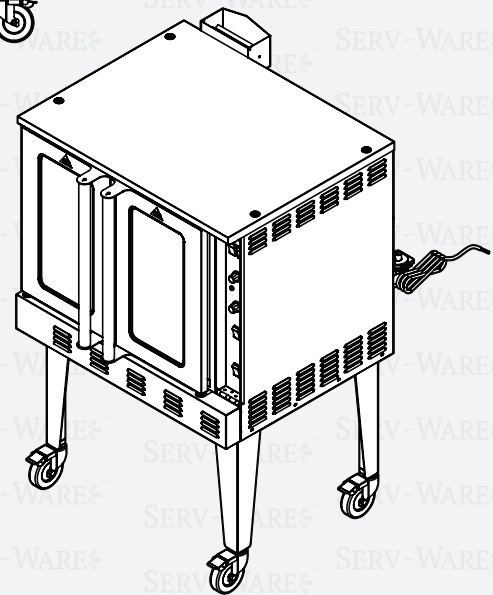
SGCO-1 Convection Oven



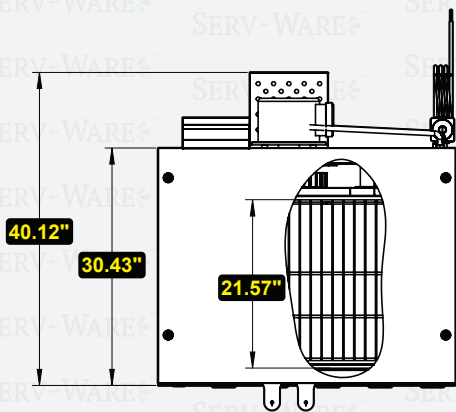
Item # _____
 Project : _____
 Qty : _____



Isometric View



Top View



➤ **Technical Information:**

| MODEL # | DESCRIPTION | DIMENSIONS | WEIGHT/LBS. |
|---------|-------------|--------------------------------|-------------|
| | | (W x D x H) | (Shipping) |
| SGCO-1 | Single Deck | 38.15" W x 40.12" D x 57.32" H | 545 lbs. |

| CONSTRUCTION |
|---|
| Stainless steel front, galvanized sides, glazed doors, and porcelain interior |
| |
| |

| COOKING | |
|----------------------|---------------|
| Temperature Range | 250°F – 550°F |
| BTU/H | 54,000 |
| Gas Line | 3/4 |
| W.C. for Natural Gas | 4 in. |
| W.C. for LP | 10 in. |



Prop. 65 Warning for California Residents
WARNING: This product may contain chemicals known to the State of California to cause cancer, birth defects, or other reproductive harm.



Copyright © 2023 Serv-Ware Products Inc.

Phone: (800).768.5953
 Fax: (800).976.1299

www.servware.com

HOLE PUNCH ZONE

HOLE PUNCH ZONE