



# BEVERAGE-AIR

Project: _____	AIA#
Item: _____	
Location: _____	SIS#
Approved: _____	

# SF2HC BOTTOM MOUNT REACH-IN: SLATE SERIES

## SLATE REACH-IN FREEZER

SF2HC Solid Door Bottom Mount  
Hydrocarbon Series

MODEL:  
SF2HC-1S



**2 Year Parts/Labor Warranty**

**7 Year Compressor Warranty**

### CABINET CONSTRUCTION

- Stainless steel door and grille with modern slate finish sides
- Interior features easy to clean white coated steel walls with slate finish interior door
- Electronic temperature control
- LED lighting standard
- Six (6) adjustable epoxy shelves
- Door locks standard
- 6" Casters standard

### OPTIONS & ACCESSORIES

- Additional shelves

### REFRIGERATION SYSTEM

- Uses environmentally friendly, energy efficient R290 refrigerant, and meets all regulatory requirements for CARB, SNAP, DOE & more
- Freezer capable of maintaining product temperature down to 0°F
- Automatic defrost cycle



Please verify qualifying units by visiting:  
[www.energystar.gov/cfs](http://www.energystar.gov/cfs)

3779 Champion Blvd., Winston-Salem, NC 27105  
1-888-845-9800 Fax: 1-336-245-6453  
Beverage-Air.com Sales@bevair.com



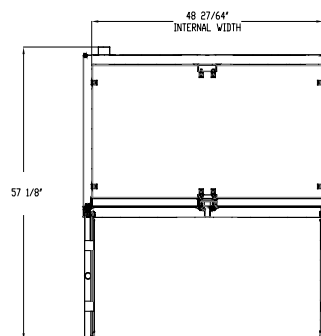
# BEVERAGE-AIR

MODEL	SF2HC-1S
<b>EXTERNAL DIMENSIONAL DATA</b>	
Width Overall	51 <sup>3</sup> / <sub>32</sub> "
Depth Overall	34 <sup>3</sup> / <sub>32</sub> "
Height Overall	85 <sup>4</sup> / <sub>64</sub> "
Number of Doors	2
Depth with Door Open 90°	57 <sup>1</sup> / <sub>8</sub> "
Door Openings (in)	26 <sup>1</sup> / <sub>32</sub> " x 53 <sup>1</sup> / <sub>2</sub> "
<b>INTERNAL DIMENSIONAL DATA</b>	
NET Capacity (cubic ft.)	43
Internal Width Overall (in)	48 <sup>2</sup> / <sub>64</sub> "
Internal Depth Overall (in)	26 <sup>9</sup> / <sub>64</sub> "
Internal Height Overall (in)	61 <sup>2</sup> / <sub>32</sub> "
Number of Shelves	6
<b>ELECTRICAL DATA</b>	
Full Load Amperes	6.0
<b>REFRIGERATION DATA</b>	
Horsepower	1/2
Capacity (BTU/Hr)	2000
Heat Rejection (BTU/Hr)	3000
Charge (lbs/grams)	0.33/150
<b>SHIPPING DATA</b>	
Gross Weight - Crated	466 lbs
Height - Crated	84"
Width - Crated	54"
Depth - Crated	36"

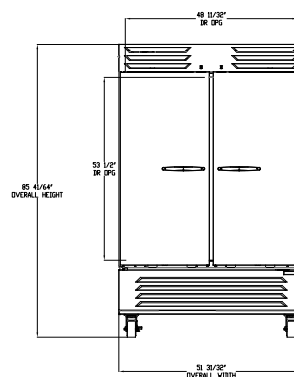
## Bottom Mount Reach-In Solid Door Freezer Model: SF2HC-1S

### Model Views

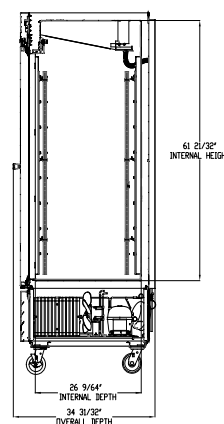
Required Clearance: Rear 4"



### PLAN VIEW



### ELEVATION VIEW



### SIDE VIEW



### ELECTRICAL CONNECTION



120/60/1  
NEMA 5-15P

Units pre-wired at factory and include 7' long cord and plug set.