



BEVERAGE-AIR

Project: _____	AIA#
Item: _____	
Location: _____	SIS#
Approved: _____	

PRF24-24HC TOP MOUNT DUAL TEMP REACH-IN

P SERIES TOP MOUNT DUAL TEMPERATURE
PRF24-24HC Solid Half-Door Refrigerator/Freezer
Hydrocarbon Series

MODEL:
PRF24-24HC-1AHS



5 Year Parts/Labor Warranty Available
7 Year Compressor Warranty

CABINET CONSTRUCTION

- Stainless steel exterior door, sides, and front (galvanized top, back & bottom)
- Interior corrosion resistant aluminum
- Stainless steel door liner
- Full electronic control with exterior digital thermometer
- Expansion valve technology
- Variable speed technology
- Stainless steel breaker covers
- Dual temp refrigerator/freezer units provide two different operating temperature zones for different types of products
- Right section freezer
- Left section refrigerator
- Self-closing doors on cam-lift hinges, with 120° hold open feature
- One-piece snap-in magnetic door gaskets for positive seal
- Door locks standard
- Six (6) heavy-duty epoxy coated shelves
- 6" Legs

OPTIONS & ACCESSORIES

- 3 Year parts/labor standard, additional 2 year warranty available
- Stainless steel back
- Stainless steel interior
- Additional shelves
- Zone operating temperature configuration (R/R, F/R, F/F)
- Tray slide kit
- Left and right hand door swing (at time of order)
- 3" and 6" Casters
- Remote option* (see note on back page)

REFRIGERATION SYSTEM

- Uses environmentally friendly, energy efficient R290 refrigerant and meets all regulatory requirements for CARB, SNAP, DOE & more
- Adaptive defrost
- Epoxy coated evaporator coil
- Refrigerator maintains product temperatures of 36°-38°F
- Freezer maintains product temperatures of -10°F



Please verify qualifying units by visiting:
www.energystar.gov/cfs

3779 Champion Blvd., Win on-Salem, NC 27105
 1-888-845-9800 Fax: 1-336-245-6453
 Beverage-Air.com Sales@bevair.com

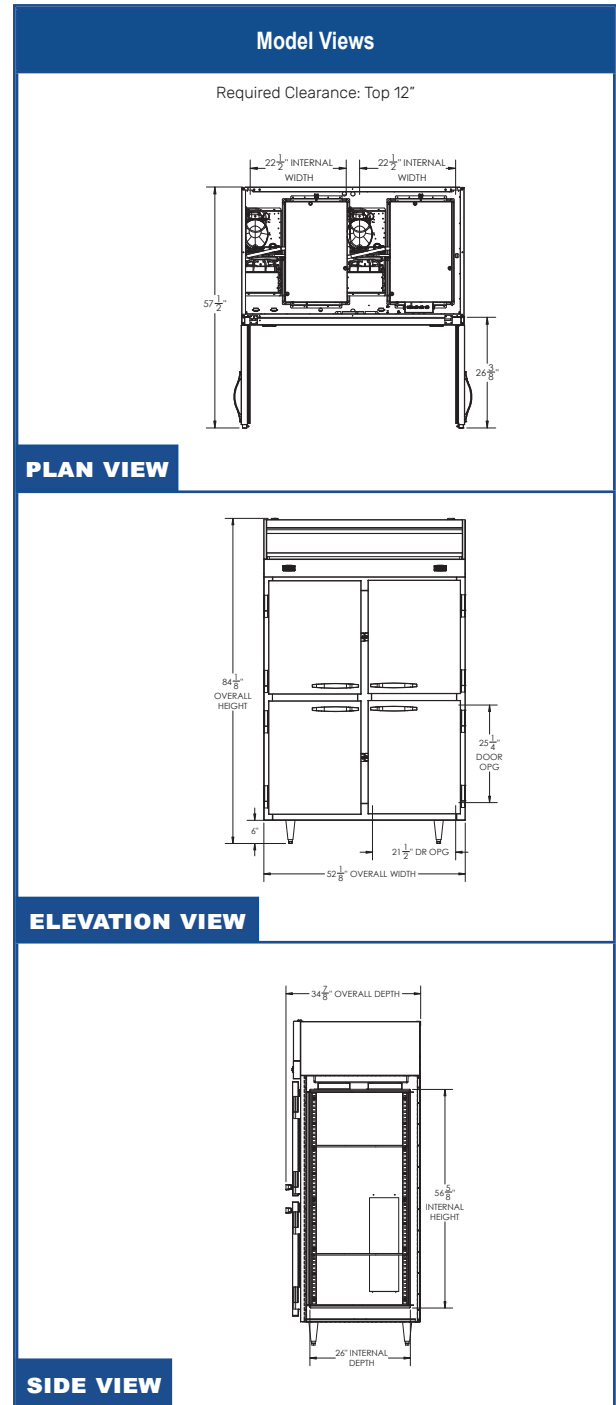


BEVERAGE-AIR

P Series Top Mount Dual Temp Reach-In Model: PRF24-24HC-1AHS

MODEL	PRF24-24HC-1AHS
EXTERNAL DIMENSIONAL DATA	
Width Overall	52 1/8"
Depth Overall with Handle	34 7/8"
Height Overall	84 1/8"
Number of Doors	4
Depth with Door Open 90°	57 1/2"
Door Openings (in)	21 1/2" x 25 1/4"
INTERNAL DIMENSIONAL DATA	
NET Capacity Refrigerator/Freezer (cubic ft.)	21.01 / 21.01
Internal Width Overall (in)	(2) 22 1/2"
Internal Depth Overall (in)	26"
Internal Height Overall (in)	56 5/8"
Number of Shelves	6
ELECTRICAL DATA	
Full Load Amperes** Refrigerator/Freezer	6.50 / 9.1
REFRIGERATION DATA	
Horsepower Refrigerator/Freezer	1/3 / 3/4
Capacity (BTU/Hr) Refrigerator/Freezer	5600 / 5600
Heat Rejection (BTU/Hr) Refrigerator/Freezer	8400 / 8400
Charge (lbs/grams/ounces) Refrigerator/Freezer	0.2866 / 130 / 4.6 0.3306 / 150 / 5.29
WEIGHT DATA	
Gross Weight - Crated lbs	692 lbs
Height - Crated	88"
Width - Crated	60"
Depth - Crated	45"

*NOTE: Remote units are field wired and comes with 6" legs.
Refrigerant must be specified at time of order.



ELECTRICAL CONNECTION



(2) 115/60/1**
NEMA 5-15P

Unit pre-wired at factory
and include 8' long cord
and plug set.

** NOTE: This unit utilizes variable speed compressor technology. The compressor can experience nuisance tripping on Class A GFCI outlets which have a trip limit of 4 mA to 6 mA. To avoid this issue in a location that requires GFCI circuit protection, Beverage-Air recommends using a HUBBELL Model Number GFRST83W 20A Heavy Duty Hospital Grade Self-Test GFCI Receptacle.

