



# BEVERAGE-AIR®

Project: _____	AIA#
Item: _____	
Location: _____	SIS#
Approved: _____	

**NC34HC NOVELTY FREEZER: SLANT TOP BUNKERS**

## NC NOVELTY CASES

NC34HC Novelty Freezers  
Hydrocarbon Series

**MODEL:  
NC34HC-1-W**

**5 Year Parts/Labor Warranty Available  
7 Year Compressor Warranty**



### CABINET CONSTRUCTION

- Exterior is white coated steel
- Interior is white powder coated surface
- Low energy consumption
- LED lighting
- Adjustable thermostat
- Operating temperature of 0°F to -10°F
- Angle top design with LowE tempered glass lids
- Lids are easily removable with lid lock & keys standard
- Round exterior edges
- Integrated tag molding
- 2" heavy duty casters
- Drain plug for easy cleaning
- Three (3) removable baskets

### OPTIONS & ACCESSORIES

- 3 Year parts/labor standard, additional 2 year warranty available
- 2 Ring tub holder
- Custom graphics
- Dip well

### REFRIGERATION SYSTEM

- Refrigeration system uses R290 refrigerant to comply with all environmental concerns
- The unit is best suited for an environment where temperatures remain below 75°F and humidity does not exceed 55%
- Areas with direct sunlight should also be avoided



Please verify qualifying units by visiting:  
[www.energystar.gov/cfs](http://www.energystar.gov/cfs)

3779 Champion Blvd., Winston-Salem, NC 27105  
1-888-845-9800 Fax: 1-336-245-6453  
Beverage-Air.com Sales@bevair.com



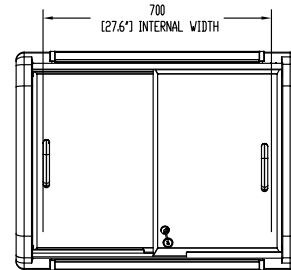
# BEVERAGE-AIR

MODEL	NC34HC-1-W
<b>EXTERNAL DIMENSIONAL DATA</b>	
Width Overall	33 1/8"
Depth Overall	26"
Height Overall (with casters)	34 1/8"
Number of Lids	2
Number of Baskets	3
<b>INTERNAL DIMENSIONAL DATA</b>	
NET Capacity (cubic ft.)	5.67
Internal Width Overall (in)	27 3/8"
Internal Depth Overall (in)	19 7/16"
Internal Front Height Overall (in)	24"
Internal Rear Height Overall (in)	26 1/8"
<b>ELECTRICAL DATA</b>	
Full Load Amperes 115/60/1	3.0
<b>REFRIGERATION DATA</b>	
Horsepower	1/4
Capacity (BTU/Hr)	840
Heat Rejection (BTU/Hr)	1260
Charge (lbs/grams)	0.154/70
<b>SHIPPING DATA</b>	
Gross Weight - Crated	155 lbs
Height - Crated	40"
Width - Crated	38"
Depth - Crated	28"

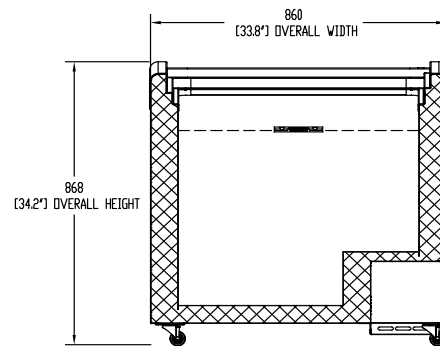
## Novelty Case Freezer Model: NC34HC-1-W

### Model Views

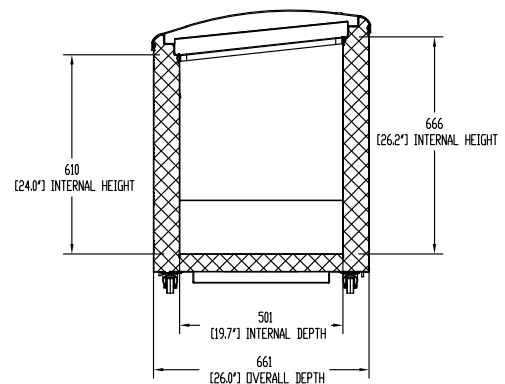
Required Clearance: 4" Sides & Rear



### PLAN VIEW



### ELEVATION VIEW



### SIDE VIEW

### ELECTRICAL CONNECTION



115/60/1  
NEMA 5-15P

Units pre-wired at factory and include 8' long cord and plug set.



3779 Champion Blvd., Winston-Salem, NC 27105 1-888-845-9800 Fax: 1-336-245-6453 Beverage-Air.com Sales@bevair.com

an Ali Group Company



The Spirit of Excellence