



ATOSA USA, INC.

“WE MAKE THE KITCHEN BETTER!”

Toll Free: 855-855-0399 Email: info@atosausa.com

www.atosa.com / www.atosausa.com

California, Colorado, Florida, Georgia, Illinois, Massachusetts, New Jersey, Ohio, Texas, Washington

Direct Draw Keg Coolers

Standard Features

- Stainless steel exterior & interior
- Dixell Digital Controller
- Maintains temperatures between 33°F – 40 °F
- Heavy duty Embraco compressor with environmentally friendly R290 refrigerant.
- Slide out compressor assembly for easy maintenance
- Stainless steel drip tray(s)
- Recessed door handle(s)
- Dual Tap tower(s) standard
- Interior light(s)
- Magnetic door gasket(s) standard for positive door seal
- Manifold and Ball taps included
- Door lock(s) standard
- Pre-installed castors

Model#	Sixth Barrel	Quarter Barrel	Slim Quarter	Half Barrel
MKC23GR				1
MKC23GR	2			
MKC23GR		1		
MKC58GR	1			2
MKC58GR	4			
MKC58GR	1	2		
MKC58GR	1		3	
MKC68GR				3
MKC68GR	6			
MKC68GR		3		
MKC68GR	1		4	
MKC90GR	1			4
MKC90GR	8			
MKC90GR	1	4		
MKC90GR			6	

For the best results of food preservation we recommend setting your refrigerator between 33 °F - 38 °F

1. Don't forget to leave the unit some room to breathe!
2. Please clean the condenser frequently to give the unit more fresh air.



2 YEAR PARTS AND LABOR WARRANTY (US ONLY)
5 YEAR COMPRESSOR PART WARRANTY (US ONLY)

MODELS:

MKC23GR / MKC58GR / MKC68GR / MKC90GR



MKC23GR



MKC58GR



MKC68GR



MKC90GR





ATOSA USA, INC.

“WE MAKE THE KITCHEN BETTER!”

Toll Free: 855-855-0399 Email: info@atosausa.com

www.atosa.com | www.atosausa.com

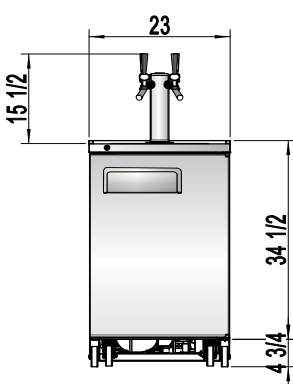
California, Colorado, Florida, Georgia, Illinois,

Massachusetts, New Jersey, Ohio, Texas, Washington

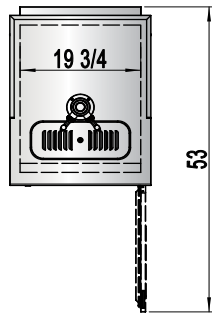
SPECIFICATIONS

Model	Doors	Cu.Ft	Exterior Dimension	Packaging Dimension	Castors	Gross Weight	HP	Voltage	Amps	Refrigerant
MKC23GR	1	6.7	23 × 31 ^{1/8} × 39 ^{1/4}	25 ^{19/32} × 31 ^{7/8} × 39 ^{1/4}	4 inch	188 lbs	1/7	115/60/1	2.3	R290
MKC58GR	2	17.3	57 ^{3/4} × 28 ^{1/8} × 40 ^{1/8}	59.5 × 29.1 × 43.3	2.5 in.	258 lbs	1/6	115/60/1	2.3	R290
MKC68GR	2	21.5	68 × 28 ^{1/8} × 40 ^{1/8}	69.7 × 29.1 × 43.3	2.5 in.	291 lbs	1/6	115/60/1	2.3	R290
MKC90GR	3	30.1	89 ^{1/4} × 28 ^{1/8} × 40 ^{1/8}	90.9 × 29.1 × 43.3	2.5 in.	357 lbs	1/5	115/60/1	2.8	R290

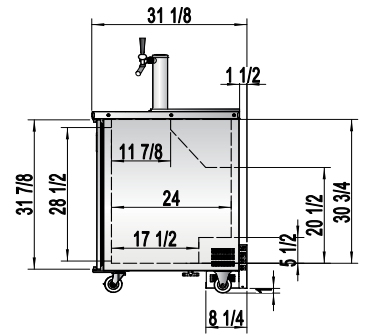
PLAN VIEW



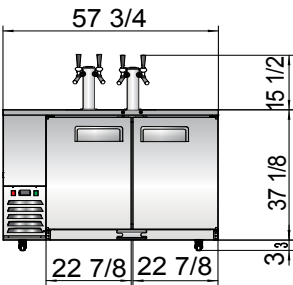
MKC23GR



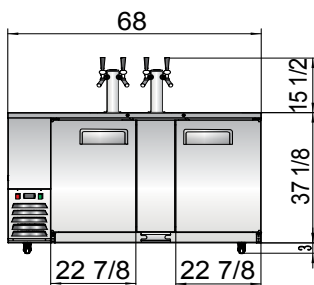
Side View



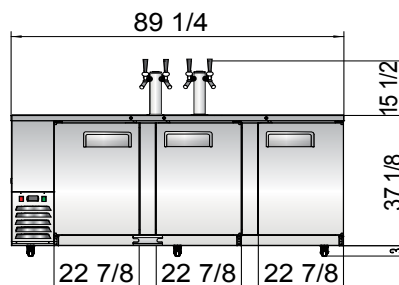
MKC58GR



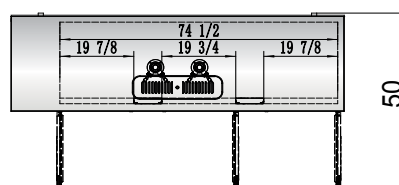
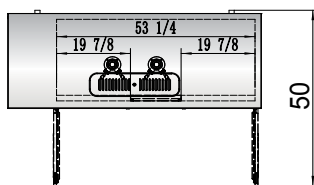
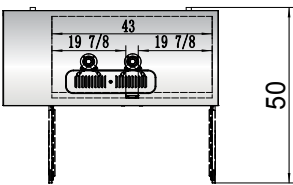
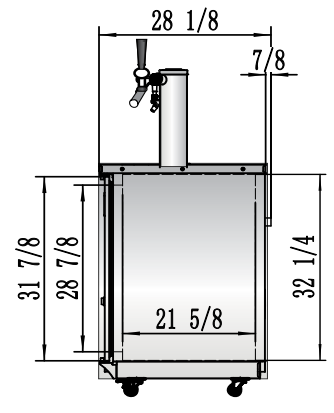
MKC68GR



MKC90GR



Side View



NEMA 5-15P



NEMA 15A/125V



2 YEAR PARTS AND LABOR WARRANTY (US ONLY)
5 YEAR COMPRESSOR PART WARRANTY (US ONLY)

Atosa International
www.atosa.com

Atosa USA
www.atosausa.com

