



ATOSA USA, INC.

“WE MAKE THE KITCHEN BETTER!”

Toll Free: 855-855-0399 Email: info@atosausa.com

www.atosa.com | www.atosausa.com

California, Colorado, Florida, Georgia, Illinois, Massachusetts, New Jersey, Ohio, Texas, Washington

MODELS:
MCF8725GR

Black Exterior Glass Door Refrigerator Merchandiser

Standard Features:

- Black Steel Exterior with Stainless Steel interior
- Lighted header panel
- LED interior lighting standard
- Dixell electronic controller
- Four shelves standard per section
- Double Pane glass door
- Self-closing door(s) with automatic stay open feature
- Recessed door handle
- Door lock(s) standard
- Magnetic door gasket
- Self-contained bottom mount refrigeration system with environmentally friendly R290 refrigerant
- Pre-installed castors
- Pre-installed shelves
- NEMA-5-15P plug standard

Optional Features:

- Extra Shelves – includes 4 shelf clips per shelf

MCF8725GR



For the best results of food preservation we recommend setting your refrigerator between 33 °F - 38 °F

1. Don't forget to leave the unit some room to breathe!
2. Please clean the condenser frequently to give the unit more fresh air.



2 YEAR PARTS AND LABOR WARRANTY (US ONLY)
5 YEAR COMPRESSOR PART WARRANTY (US ONLY)





ATOSA USA, INC.

“WE MAKE THE KITCHEN BETTER!”

Toll Free: 855-855-0399 Email: info@atosausa.com

www.atosa.com | www.atosausa.com

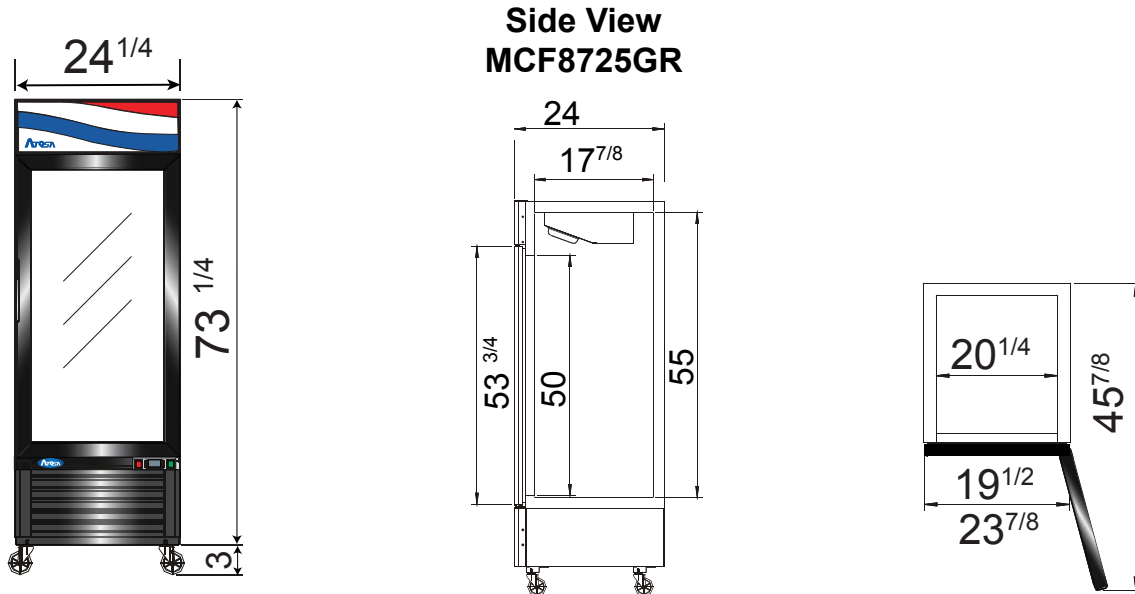
California, Colorado, Florida, Georgia, Illinois,

Massachusetts, New Jersey, Ohio, Texas, Washington

SPECIFICATIONS

Model	Doors	Cu.Ft	Shelves	Exterior Dimensions (WxDxH)	Castors	Weight (LBS)	HP	Voltage	Amps	Refrigerant
MBF8725GR	1	11.1	4	24 ^{1/4} X 24 X 76 ^{1/4}	3 inch	251 lbs	1/7	115/60/1	2.1	R290

PLAN VIEW



Castors

Temperature Control

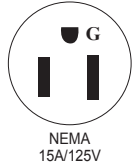
Door Lock

LED Lights

Epoxy Shelves



NEMA 5-15P



2 YEAR PARTS AND LABOR WARRANTY (US ONLY)
5 YEAR COMPRESSOR PART WARRANTY (US ONLY)

Atosa International
www.atosa.com



Atosa USA
www.atosausa.com