



ATOSA USA, INC.

**“WE MAKE THE KITCHEN BETTER!”**

Toll Free: 855-855-0399 Email: [info@atosausa.com](mailto:info@atosausa.com)

[www.atosa.com](http://www.atosa.com) | [www.atosausa.com](http://www.atosausa.com)

California, Colorado, Florida, Georgia, Illinois, Massachusetts, New Jersey, Ohio, Texas, Washington

# Top Mount 1/2 Door Reach In Refrigerator

**MODELS:**  
**MBF8010GR**

## Standard Features:

- Top Mount Compressor with environmentally Friendly R290 refrigerant
- Stainless Steel Exterior & Interior
- Dixell Digital Controller
- Maintains temperatures between -33°F – 40°F
- LED interior light (s)
- Recessed Door Handle(s)
- Door locks(s) standard
- Magnetic door gasket(s) standard for positive door seal
- Pre-Installed casters
- Three (3) Pre-Installed shelves per section
- Down Duct Refrigeration to Ensure even distribution of air



## Optional Features:

- Extra Shelves – includes 4 shelf clips per shelf
- 4” Casters

For the best results of food preservation we recommend setting your refrigerator between 33 °F - 38 °F

1. Don't forget to leave the unit some room to breathe!
2. Please clean the condenser frequently to give the unit more fresh air.



2 YEAR PARTS AND LABOR WARRANTY (US ONLY)  
5 YEAR COMPRESSOR PART WARRANTY (US ONLY)





ATOSA USA, INC.

**“WE MAKE THE KITCHEN BETTER!”**

Toll Free: 855-855-0399 Email: [info@atosausa.com](mailto:info@atosausa.com)

[www.atosa.com](http://www.atosa.com) | [www.atosausa.com](http://www.atosausa.com)

California, Colorado, Florida, Georgia, Illinois,

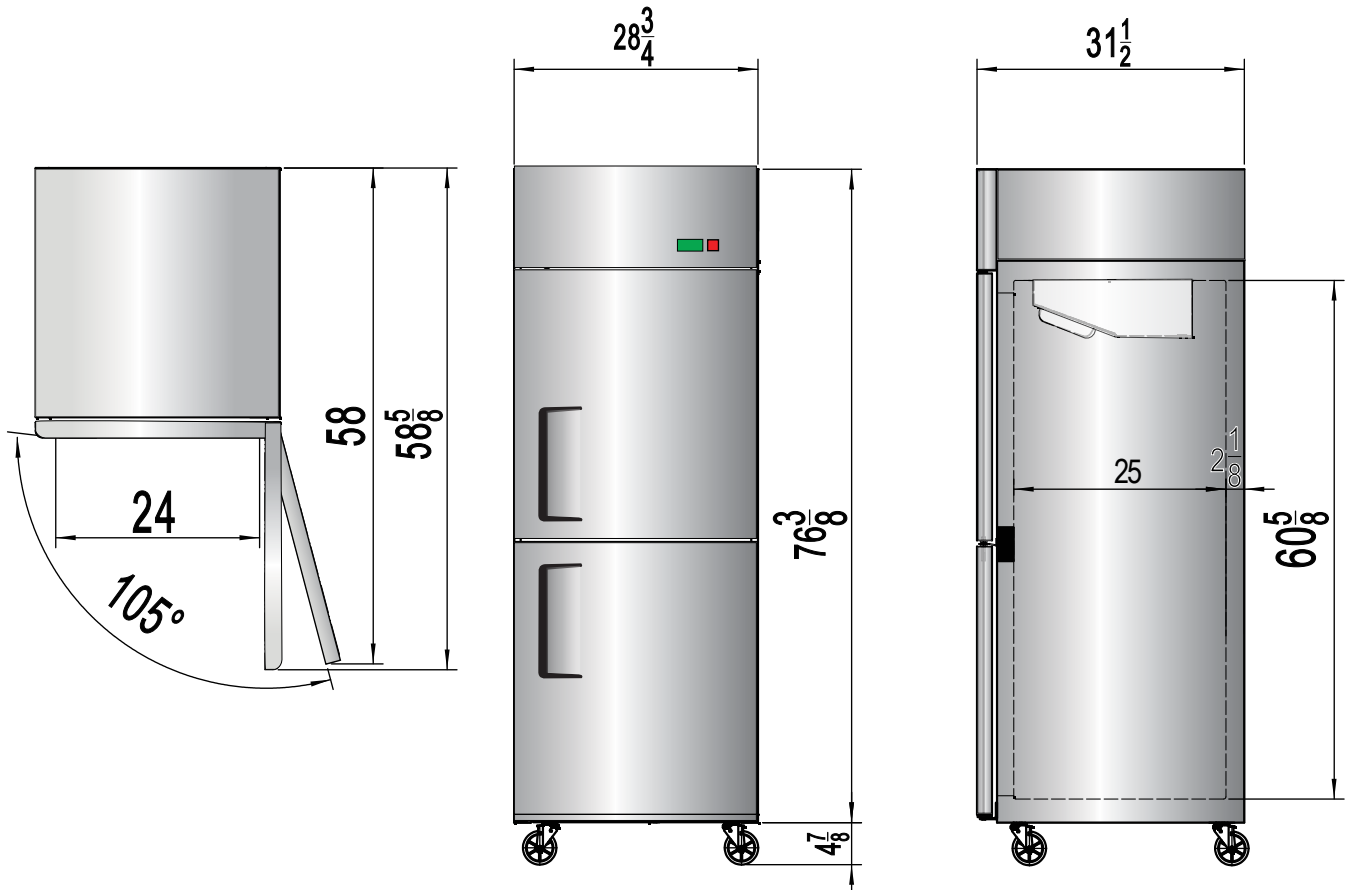
Massachusetts, New Jersey, Ohio, Texas, Washington

## SPECIFICATIONS

Model	Doors	Cu.Ft	Shelves	Exterior Dimensions (WxDxH)	Castors	Weight (LBS)	HP	Voltage	Amps	Refrigerant
MBF8010GR	2	21.4	3	28 <sup>3</sup> / <sub>4</sub> × 31 <sup>1</sup> / <sub>2</sub> × 81 <sup>1</sup> / <sub>4</sub>	4 inch	286 lbs	1/6	115/60Hz	4	R290

## PLAN VIEW

MBF8010GR



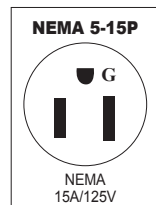
Castors

Epoxy Shelves

Door Lock

Down Duct

Temperature Control



2 YEAR PARTS AND LABOR WARRANTY (US ONLY)

3 YEAR ADDITIONAL COMPRESSOR PART WARRANTY (US ONLY)

Atosa International  
[www.atosa.com](http://www.atosa.com)

Atosa USA  
[www.atosausa.com](http://www.atosausa.com)

