



Upright Large Capacity Ice Storage

Upright Large Capacity Ice Storage

Models

 LB0730

 LB1448

 LB1460

 LB1760


LB0730



LB1448



LB1460



LB1760

Standard Features

- Ice storage volume verified by AHRI (American Air Conditioning, Heating and Refrigeration Institute)
- First ice in / first ice out method insures fresher tasting ice
- Heavy duty spring load door hinge keeps bin door open while accessing ice
- Door and snout ships inside the bin for easy door entry - Installation without tools
- Stainless steel baffle helps prevent ice overflow
- No bending into a deep bin to retrieve ice - More sanitary ice removal
- Welded corrosive resistant 304 stainless steel front and side exterior
- Roto-molded seamless rust free polyethylene liner
- Bin walls foamed with non-CFS polyurethane insulation 1.5 inches thick
- Transparent Lexan viewing windows to easily check bin ice levels
- Adapter and filler panels included to fit most single ice machine configurations (2 ice machine configurations require different adapter - Ice Machine deflectors must be added separately)
- All models include: 6" stainless steel legs (expandable to 7.13"), ice machine adapter with filler panels to fit most single ice machine configurations, an external storage hook and an ergonomic NSF sanitary scoop with thumb and knuckle guard.

Warranty

- Limited 5 year parts and labor on external bin
- Limited lifetime warranty on polyethylene liner

Optional Accessories

- K00499 NSF 48" Paddle
- K00503 NSF 60" Paddle
- K00500 NSF 37" Shovel
- K00504 Replacement Storage Hook
- K00463 NSF 85 oz Metal Scoop
- K00482 Hanger (required for K00461)
- K00461 NSF External Scoop Holder

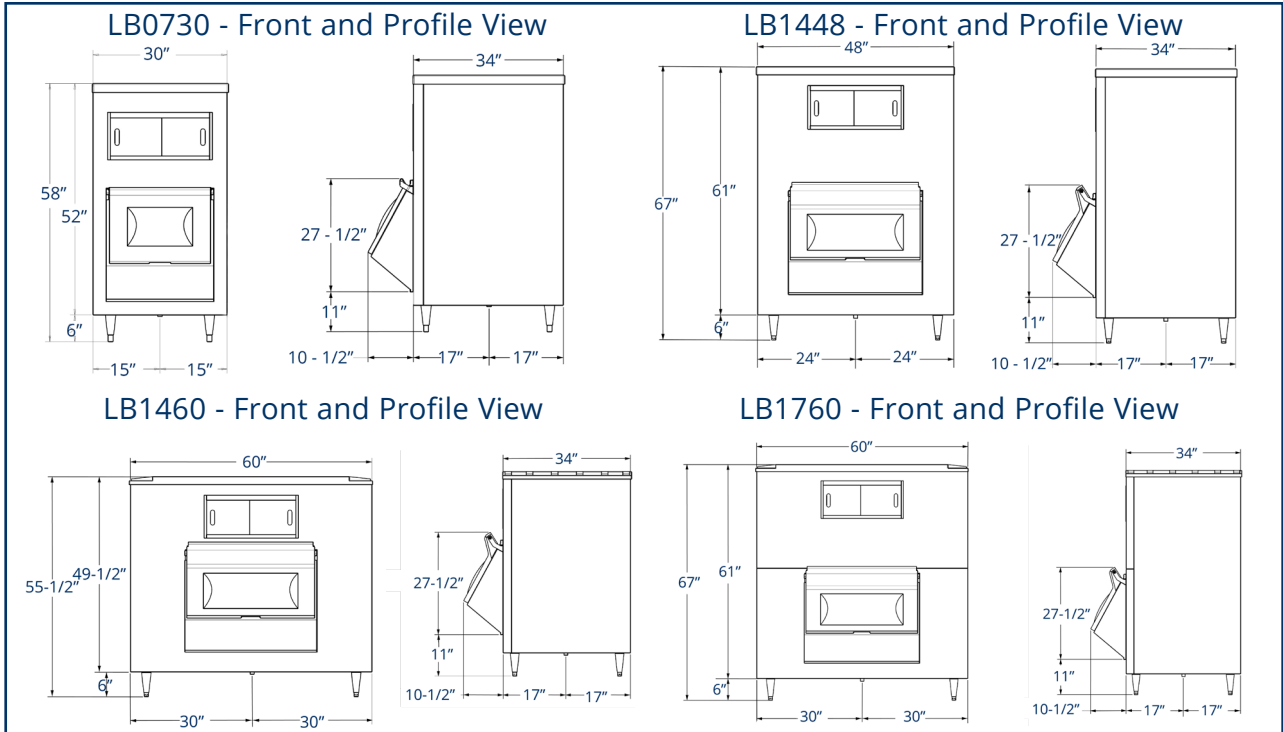


(included with bin)

Model	Application Capacity lbs (kg)	AHRI Volume Cu. ft (Cu. cm)	Width in (cm)	Depth in (cm)	Height in (cm)	Shipping Weight lbs (kg)
LB0730	683 (309.8)	23 (0.65)	30 (76.2)	34 (86.4)	58 (137.4)	275 (124.7)
LB1448	1337 (606.5)	45 (1.27)	48 (121.9)	34 (86.4)	67 (170.2)	355 (161.0)
LB1460	1366 (619.6)	46 (1.30)	60 (152.4)	34 (86.4)	55 (139.7)	355 (161.0)
LB1760	1693 (767.9)	57 (1.61)	60 (152.4)	34 (86.4)	67 (170.2)	395 (179.2)

Application capacity measured by 90% of the total volume in cu. ft x 33 lbs./ft3
Door/Snout adds 10.5 inches in depth once installed





Ice Deflector Chart (Required - not included with bins)

Manitowoc Cubers	Ice Deflector Kit Numbers
IT0450, IT0500, IF0500N, IF0600N, IT0750, IF0900, IT0900, IT1200	K00347
IT1500, IT1900	K0034900
IF1400C, IF1800C, IF2100C	K00382 (for single ice machine on LB0730) K00513 (for single machine on LB1448, LB1460 & LB1760) K00383 (for side-by-side ice machines)
S3000	K00391

*Flaker and nugget machines do not require a deflector

Bin Adapter Chart

Model	Ice Makers on Bin	Bin Width	IT0500, IF0500N	IF0600N, IT0750	IF0900N, IT0900C, IT1200	IF0600C, IF0900C, IF1200C	IF1400C, IF1800C, IF2100C	RNF1100, RFF1300, RFF2200C, RNF2000C	IT0420, IT0620	RNF0320, RNF0620, RNF1020C, RFF0320, RFF0620, RFF1220	IT1500, IT1900	IBF0620C, IBF0820C, IBT1020C	ST3000W, SF3000C	
Model Width			30"	30"	30"	30"	30"	30"	22"	22"	48"	22"	48"	
LB0730	1	30"	KLB302230 (included with bin)									N.A.	N.A.	N.A.
LB1448	1	48"	KLB483048 (included with bin)									N.A.	K00396	
	2	48"	N.A.									N.A.	KLB482214	N.A.
LB1460,	1	60"	KLB603048									N.A.	KLB604800	
LB1760	2	60"	KLB603030						KLB602222		N.A.	KLB602214	N.A.	

*For side by side applications, use water-cooled, remote or ice machines with top air discharge option.

Manitowoc Ice reserves the right to make changes to the design or specifications without prior notice.