

# Marine Model Ice Cube Machine

## Models

IDT1900WM

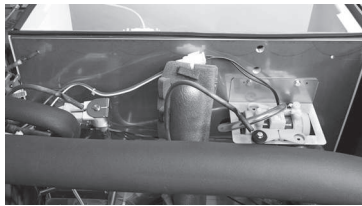
IYT1900WM



iT1900WM series ice machine

### Stainless Steel:

- Top Cover
- Side Panels
- Back Panel
- Bulkhead
- Brackets
- Fasteners



Stainless Steel Bulkhead

New Marine model features the Indigo NXT platform, providing 10-15% reductions in energy usage, 10% reduction in potable water usage and 23% reduction in condenser water usage from model.

- **Isolation switch** immediately cuts power to the entire unit.
- **Indigo NXT feature set** including automatic cleaning that returns to the ice making process without manual intervention.
- **Cupra-nickel condenser** adds protection from salt water.
- **Completely sealed unit:** front, back, top and sides.
- Meets **USPHS** specifications.
- All exterior panels made from **High Grade Stainless Steel**.



### Need a Marine Bin?

Please contact the Manitowoc Ice sales department for details.



Model Shown  
IBW-M5 Marine Bin



Isolation switch

### Ice Shape

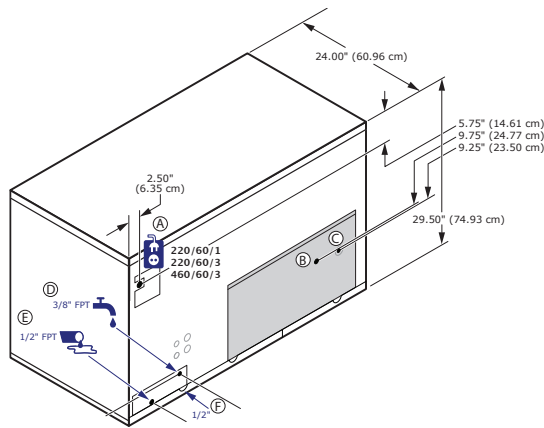


**Half Dice**  
3/8" x 1 1/8" x 7/8"  
(0.95 x 2.86 x 2.22 cm)



**Dice**  
7/8" x 7/8" x 7/8"  
(2.22 x 2.22 x 2.22 cm)





- Ⓐ Electrical Entrance (2) Options
- Ⓑ 1/2" (1.27 cm) F.P.T. Water Condenser Outlet (water-cooled units)
- Ⓒ 3/8" (0.95 cm) F.P.T. Water Condenser Inlet (water-cooled units)
- Ⓓ 3/8" (0.95 cm) F.P.T. Ice Making Water Inlet
- Ⓔ 1/2" (1.27 cm) F.P.T. Ice Making Water Drain
- Ⓕ 1/2" (1.27 cm) Auxillary Base Drain Socket

**Marine Model Ice Cube Machine**

**Series iT1900  
Operating Limits:**

- Ambient Temperature Range:  
40 to 110 °F (4.4 to 43.3 °C)
- Water Temperature Range:  
Potable water: 40 to 90 °F (4.4 to 32.3 °C)
- Water Pressure Ice Maker Water In:  
Min. 20 psi (137.9 kPa), Max. 80 psi (551.1 kPa)
- Condenser Inlet Water In:  
Min. 20 psi (137.9 kPa), Max. 80 psi 551.1 kPa

Series 1900
29.50" H x 48.00" W x 24.50" D
74.9 cm x 121.9 cm x 62.2 cm
Order ice storage bin separately.
Note: Placing iT1900 on a non-Manitowoc ice bin or "F" Model Manitowoc Ice bin requires installation of ice deflector K-00349

Electric: 208-230/60/1 available in Dice and Half dice.  
Half dice also available in 208-230/60/3.  
Min. circuit ampacity:  
15 1ph, 12.8 3ph  
Max. fuse size:  
25 amps 1ph  
20 amps 3ph  
Refrigerant:  
R410A CFC Free  
BTU per Hour:  
26,100 (average) 30,500 (Peak)

**Specifications**

Model	Ice Shape	Ice Production 24 Hours		Power Usage kWh/100 lbs. @90°Air/70°F	Potable Water Usage/100 lbs. 45.4 kgs. of Ice
		70°Air/ 50°F Water	90°Air/ 70°F Water		
IDT-1900WM	dice	1770 lbs.	1575 lbs.	3.77	20 Gal.
		803 kgs	714 kgs		
IYT-1900WM	half-dice	1740 lbs.	1550 lbs.	4.53	20 Gal.
		816 kgs	703 kgs		

Water-cooled Condenser water usage 100lbs/45.4kg of Ice: 140gal/530L

Add an A after the 261. Example IYT1900W-261AM

**Accessories**

**LuminIce® II Growth Inhibitor**  
reduces yeast and bacteria growth for a cleaner ice machine.



**Arctic Pure® Water Filters**  
Reduces sediment and chlorine odors for better tasting ice.



**iAuCS®**  
Schedules and performs routine ice machine cleaning automatically.



Welbilt reserves the right to make changes to the design or specifications without prior notice.