



# BEVERAGE-AIR

|                 |      |
|-----------------|------|
| Project: _____  | AIA# |
| Item: _____     |      |
| Location: _____ | SIS# |
| Approved: _____ |      |

## HORIZON BOTTOM MOUNT REACH-IN

### HBR72HC Half-Glass Door Reach-In Refrigerator

Hydrocarbon Series

**MODEL:**  
HBR72HC-1-HG

**HBR72HC BOTTOM MOUNT REACH-IN REFRIGERATOR**

**5 Year Parts/Labor Warranty Available**  
**7 Year Compressor Warranty**



#### CABINET CONSTRUCTION

- Stainless steel front, side, and grille (galvanized back & bottom)
- Stainless steel interior
- LED lighting
- Full electronic control with one-touch defrost
- One-piece grille allow easy removal/installation for preventative maintenance
- Self closing door with 120° stay open feature
- Spring-loaded style hinges
- Plug-in magnetic door gaskets
- Nine (9) heavy duty epoxy coated wire shelves
- 6" Casters with two (2) brakes

#### OPTIONS & ACCESSORIES

- 3 Year parts/labor standard, additional 2 year warranty available
- Stainless steel universal tray slide pair, 1 tray slide set for (1) 18" x 26" or (2) 14" x 18" pans (AC)
- Wine models
- Door locks
- 3" Casters or 6" legs
- Epoxy shelves
- Shelf clips
- Remote option\* (see note on back page)

#### REFRIGERATION SYSTEM

- Uses environmentally friendly, energy efficient R290 refrigerant, and meets all regulatory requirements for CARB, SNAP, DOE & more
- Hot gas condensate evaporator
- Adaptive defrost
- Epoxy coated evaporator coil
- Maintains product temperatures between 36°F and 38°F



 Please verify qualifying units by visiting:  
[www.energystar.gov/cfs](http://www.energystar.gov/cfs)

3779 Champion Blvd., Winston-Salem, NC 27105  
1-888-845-9800 Fax: 1-336-245-6453  
Beverage-Air.com Sales@bevair.com



# BEVERAGE-AIR

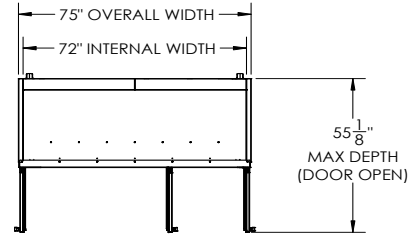
| MODEL                            | HBR72HC-1-HG        |
|----------------------------------|---------------------|
| <b>EXTERNAL DIMENSIONAL DATA</b> |                     |
| Width Overall                    | 75"                 |
| Depth Overall with Handle        | 33 1/2"             |
| Height Overall                   | 84 1/8"             |
| Number of Doors                  | 6                   |
| Depth with Door Open 90°         | 55 1/8"             |
| Door Openings (in)               | 21 7/8" x 24 3/4"   |
| <b>INTERNAL DIMENSIONAL DATA</b> |                     |
| NET Capacity (cubic ft.)         | 70.19               |
| Internal Width Overall (in)      | 72"                 |
| Internal Depth Overall (in)      | 28 1/2"             |
| Internal Height Overall (in)     | 61 3/4"             |
| Internal Height Useable (in)     | 55"                 |
| Number of Shelves                | 9                   |
| <b>ELECTRICAL DATA</b>           |                     |
| Full Load Amperes 115/60/1       | 6.12                |
| <b>REFRIGERATION DATA</b>        |                     |
| Horsepower                       | 1/2                 |
| Capacity (BTU/Hr)                | 3628                |
| Heat Rejection (BTU/Hr)          | 5442                |
| Charge (lbs/grams/ounce)         | 0.2204 / 100 / 3.53 |
| <b>SHIPPING DATA</b>             |                     |
| Gross Weight - Crated            | 771 lbs             |
| Height - Crated                  | 88"                 |
| Width - Crated                   | 77"                 |
| Depth - Crated                   | 37"                 |

\*NOTE: Remote units are field wired and come with 6" legs.  
Refrigerant must be specified at time of order.

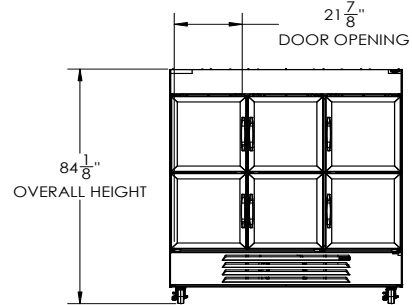
## Bottom Mount Reach-In Refrigerator Model: HBR72HC-1-HG

### Model Views

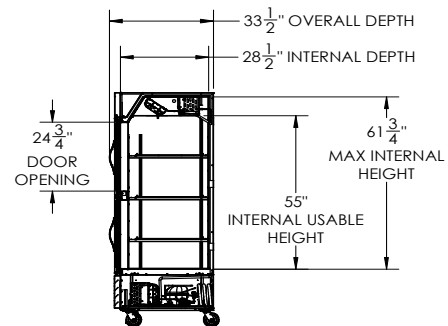
Required Clearance: Bottom & Rear 3"



### PLAN VIEW



### ELEVATION VIEW



### SIDE VIEW

### ELECTRICAL CONNECTION



115/60/1  
NEMA 5-15P

Unit pre-wired at factory  
and include 8' long cord  
and plug set.

