



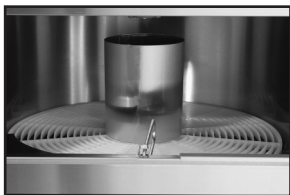
GW-100 / GL-C
120V / 208/230V

Chemical Sanitizing
Undercounter Glasswasher



FEATURES:

- Cleans and sanitizes up to 1000 2-1/2" glasses per hour.
- Hands-free glass activated on/off stop is safe and convenient.
- Independent upper and lower wash and rinse arms ensure superior results.
- 120V (GW-100) with built-in 1.5kW electric tank heater maintains the recirculated wash water to the recommended 140°F wash temperature.
- 208-230V (GL-C) with built-in 3kW electric tank heater maintains the recirculated wash water to the recommended 140°F wash temperature.
- Compatible with both Iodine and Chlorine Sanitizers.
- Simple controls for operation and cleaning.
- All stainless steel construction assures trouble free service and a long life.
- Optional rinse temperature allows flexible sanitizing options.
- Poly Pro™ circular conveyor is extremely durable and reduces chipping and breakage of glassware.
- Double wall construction for quiet back bar operation.
- Internal chemical storage.
- Built-in chemical pumps with primer switches.



Stainless steel wash/rinse chamber.



Independent spray arms blast water from the top and bottom for optimum cleaning, sanitizing and rinsing.

**CMA
MIZER®**
Registered Trademark



Intertek
3090590



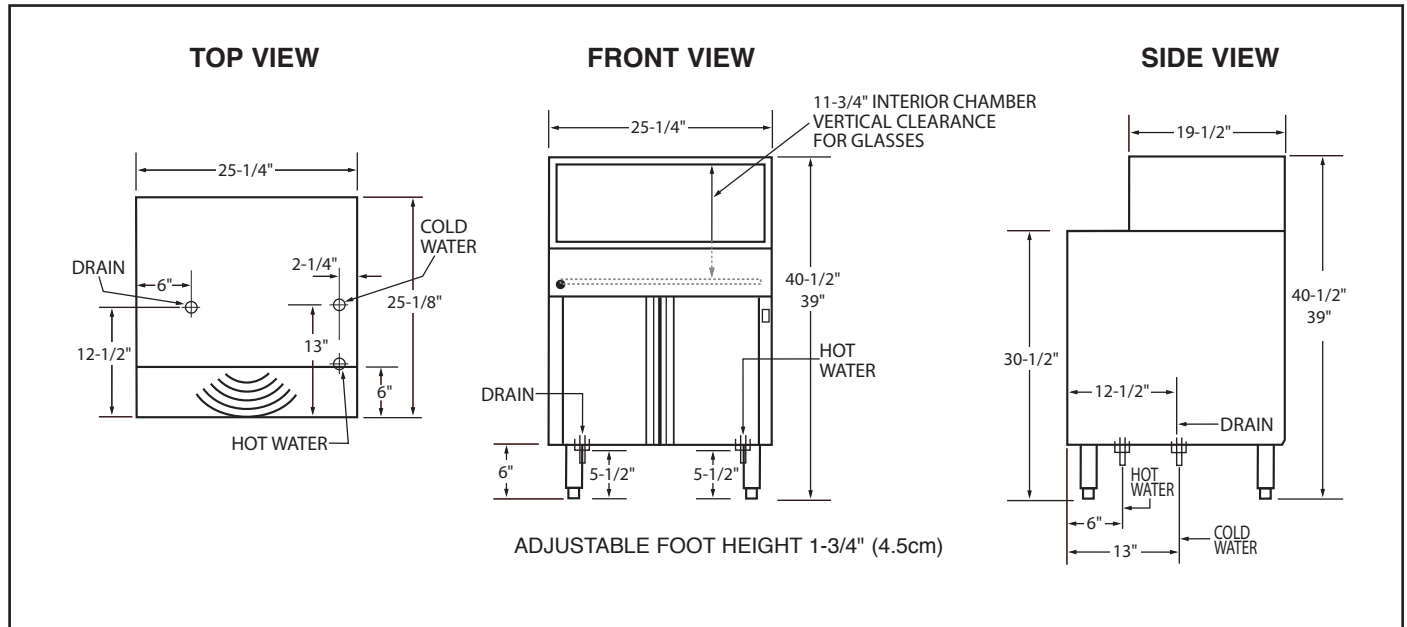
Intertek
3090590



GW-100 / GL-C
120V / 208/230V
 Chemical Sanitizing
 Undercounter Glasswasher

WARNINGS:

- Plumbing connections must be made by a qualified service company who will comply with all available Federal, State, and Local Health, Plumbing and Safety codes.
- Water hardness above 3 grains per gallon should be treated by a water softener. Failure to provide soft water (3g or less) will void the machine warranty.



Specifications:

MODEL GW-100 AND MODEL GL-C	USA	METRIC		USA	METRIC
OPERATING CAPACITY (2-1/2") GLASSES PER HOUR	1000	1000	DIMENSIONS	DEPTH	25-1/8" (63.8cm)
OPERATING TEMPERATURES				WIDTH	25-1/4" (64.1cm)
INLET WATER. (HOT) RECOMMENDED	140°F	(60°C)	HEIGHT	39"-40-1/2"	(99-102.8cm)
INLET WATER. (COLD)	75°F	(24°C)	MAXIMUM CLEARANCE FOR GLASSWARE	11-3/4"	(29.84cm)
WATER CONSUMPTION			ELECTRICAL RATING	VOLTS	AMPS
HOT WATER (INITIAL FILL)	3 GAL	(11.25 L)	GW-100	120/60/1	14.4
HOT WATER PER HOUR (MAX)	12 GAL	(45.42 L)	GL-C	208-230/60/1	14.8-14.6
COLD WATER PER MINUTE (APPROX)	2.8 GPM	(10.6 LPM)	TANK HEATER - GW-100		1.5kW
WATER REQUIREMENTS			TANK HEATER - GL-C		3kW
HOT WATER INLET	1/2"	(1.27cm)	SHIPPING WEIGHT APPROXIMATE	156#	(71kg)
COLD WATER INLET	1/2"	(1.27cm)			
DRAIN (MAX)	1-1/2"	(3.81cm)			

Summary Specifications: Model GW-100 (120V) and Model GL-C (208/230)

The **GW-100** and the **GL-C** glasswashers are designed to produce sparkling clean glassware utilizing separate detergent, sanitizer and rinse aid chemical pumps. Standard features include upper and lower wash/rinse arms, wash tank heater, Poly Pro™ conveyor, splash curtains, double-walled construction, and storage space for three 1-gallon containers. The **GW-100** and the **GL-C** are constructed for extended life out of stainless steel.

Advisory: CMA does NOT endorse "Tankless On-Demand" water heaters for use on CMA Dishmachine products. CMA DOES endorse, and highly recommends, the standard "tank" style water heaters, sized properly to handle each particular facility with their water heating requirements.

