



FM-23-HC

Glass Door Freezer Merchandiser with Swing Door

FM-23-HC
08/17/23
Item # 13572

W x D x H

30" x 29.75" x 78"



Item #: _____

Project: _____

Qty: _____

AIA#: _____

Features

- ▶ Silver painted galvanized steel exterior and interior with NSF approved white steel interior and stainless steel floor
- ▶ Forced air evaporator for quick temperature pull down
- ▶ Energy saving hot gas loop and an electric glass door heater

- Environmentally friendly R290 hydrocarbon refrigerant
- Listed under NSF/ANSI Standard 7 for the storage and/or display of packaged or bottled products
- Large glass door is energy efficient Low-E multi pane glass
- Doors are standard with locks
- (5) white epoxy coated shelves per section with product stops are standard
- LED illuminated exterior graphic display
- Energy efficient vertical LED interior lights illuminate products on display
- Door is mounted on heavy duty hinges with self-closing mechanism
- Time-initiated automatic defrost
- Environmentally friendly CFC-Free Polyurethane insulation with cyclopentane blowing agent
- Stainless steel shelf clips adjustable in 1/2" increments on anodized aluminum supports
- Refrigerant flow is controlled with a capillary tube
- 8 Foot cord and plug
- 2 inch leveling legs standard



Dimensions / Capacity

One Section FM-23-HC

Cabinet Volume (AHAM)	20.71 ft ³
Overall Width x Depth	30" x 29.75"
Height	78"
Interior Dimensions (W x D x H)	25.25" x 25.25" x 60.5"
Depth with Door Open at 90°	58.75"
Adjustable Shelves	5
Shelf Dimensions (W x D)	24.56" x 23.25"
Crated Shipping Weight	385 lbs.
Crated Length x Depth x Height	33" x 32.5" x 85.25"

Electrical / Refrigeration

One Section FM-23-HC

Voltage	115/60/1
HACR Breaker	15 amps
Electrical Connection (NEMA)	5-15P ⚡
Voltage Range	104-127V
Ambient Temp. Range	60°F to 86°F
Control Setpoint Range	-10° to -0°F
Amperage	4.8
Refrigerant / Charge Amount (oz)	R290 (10.58 oz.)

Options

- 4" Casters
- Reversible Hinging



Valid in United States, Canada, Puerto Rico and U.S. Territories. Contact factory for warranty in other countries.

If GFCI is required, a GFCI breaker MUST be used in lieu of GFCI receptacle

Hoshizaki reserves the right to change specifications without notice.

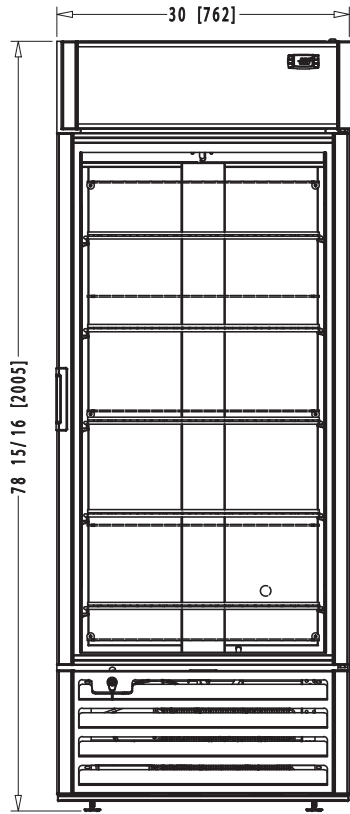


FM-23-HC

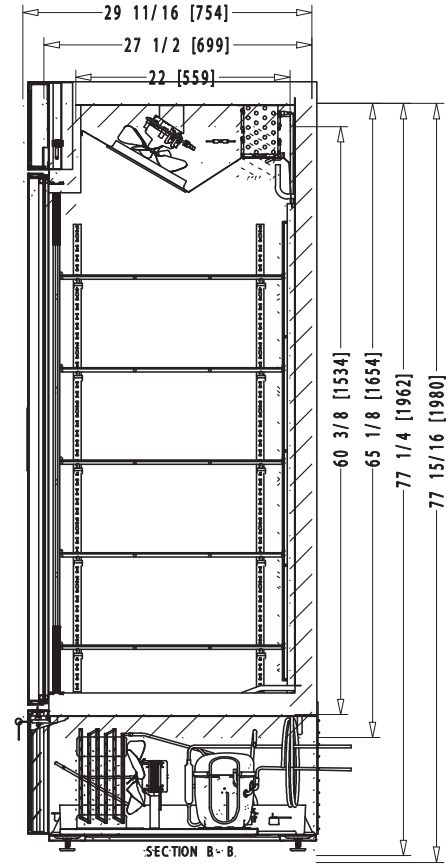
Glass Door Freezer Merchandiser with Swing Door

FM-23-HC
08/17/23
Item # 13572

FRONT VIEW

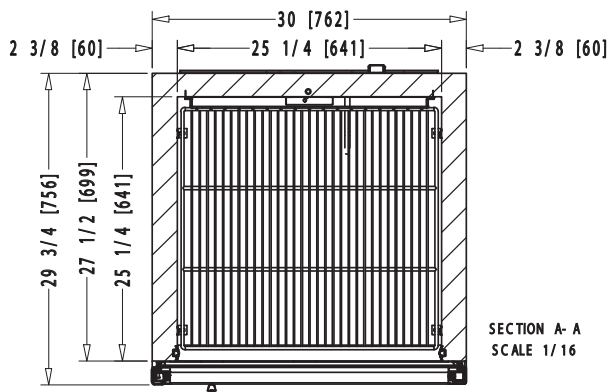


SIDE VIEW

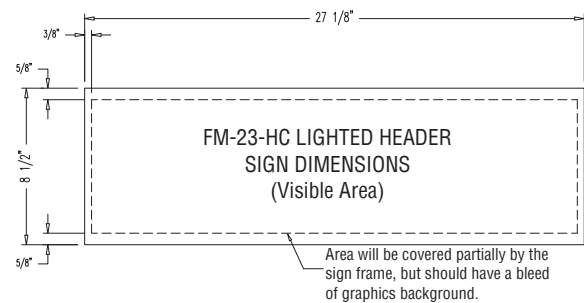


inch [mm]

PLAN VIEW



HEADER DIMS



Graphic Requirements:

- 360 dpi resolution. Scale 1=1
- Colors for CMYK process
- Image with 1/4" of excess by side
- Graphics must be saved in photoshop (with layers) (or your sign company file type requirements)
- Include a full color print out

Material Requirements:

- Thickness: 1/16" (1.5mm)
- Good- Acrylic/Pexiglass, Better - high impact acrysteel, acrylite SG
- Best- Super impact Lexan, Lexan SG Polycarbonate

Note: Texts and important parts of the image should be within the visible area. The visible area is illustrated by dotted lines when it applies.