

# UPRIGHT REACH-IN REFRIGERATOR TOP MOUNT CONDENSING UNIT



ESR3

ES Series



### Refrigeration System

- Top mounted, self-contained and fully detachable Blizzard R290 condensing unit uses environmentally friendly, EPA-compliant R290 refrigerant with zero (0) Ozone Depletion Potential (ODP) and three (3) Global Warming Potential (GWP). Blizzard R290 is easily replaceable and requires no on-site brazing.
- Electronically commutated (ECM) fan motors achieve rapid cooling with less energy consumption.
- Full-length air duct and airflow guard ensure optimal cold air circulation.
- Time-initiated and temperature-terminated auto defrost cycle for seamless operation.
- Large capacity, corrosion-resistant condenser and evaporator coils.
- Self-maintaining, energy-efficient condensate drain pan requires no external drains or electric heaters.
- High performance, auto-reverse condenser fan motor supports compressor ventilation and condenser coil cleaning.
- Pressure relief devices allow rapid cabinet re-entry.
- Pre-wired and ready to plug, 115V/60Hz/1Ph, NEMA 5-15P.

### Cabinet Construction

- Heavy duty stainless steel interior / exterior with rounded corners for a hazard-free workspace.
- Open spaced interior with no walls between compartments.
- Galvanized steel top, bottom and rear.
- 2.5" thick high density polyurethane insulation.
- Four 5" swivel casters with locks on front set. Leg stabilizers standard.

### Lighting

- Energy efficient silicone coated and shatter-proof LED lighting provides bright, high color illumination with low heat output.

### Doors

- Heavy duty stainless steel interior / exterior.
- 2.5" thick high density polyurethane insulation.
- Frame heaters prevent exterior moisture build up.
- Self-closing with adjustable torsion system for a positive seal.
- Snap-in magnetic door gasket make cleaning and replacement an easy process.
- High strength, recessed door handles.
- Pre-installed door locks keep your items safe from theft.
- Field reversible.

### Shelving

- Three epoxy coated, steel wire shelves per section.
- Height adjustable stainless steel clips.

### Temperature Control

- Multi-function digital controller with easy to read LED display.
- Factory preset temperature, 35°F. Temperature setting range from 33°F to 54°F.
- Audible overheat protection alarm for compressor and condenser coil.

### Options

- Additional shelving.
- 3" swivel casters with locks.
- 3.5" – 6" height-adjustable and interchangeable legs.
- Left hinged door.



| Type | Doors | Capacity<br>Cu. Ft. | Shelves | Refrigerant | HP  | Power<br>V-Hz-Ph | Amps | Crated<br>Weight | Exterior Dimensions |         |        |
|------|-------|---------------------|---------|-------------|-----|------------------|------|------------------|---------------------|---------|--------|
|      |       |                     |         |             |     |                  |      |                  | L                   | D       | H*     |
| REF  | 3     | 71                  | 9       | R-290       | 3/4 | 115-60-1         | 8    | 576 lbs          | 74.75"              | 31.625" | 74.25" |

(†)Based on evaporating temperature of 23°F (-5°C) & condensing temperature of 131°F (55°C). (P) Product capacity is calculated based on standard industry figures. (\*) Reference plan view for clarification on caster/unit height. If dimensions and capacity are critical, please contact Everest Refrigeration. Blizzard R290 replacement is at the sole discretion of Everest Refrigeration. Specifications subject to change without notice.

# UPRIGHT REACH-IN REFRIGERATOR TOP MOUNT CONDENSING UNIT



## ESR3

## ES Series

### DIMENSIONAL DATA

|                    |          |            |
|--------------------|----------|------------|
| External Dims.     | L        | 74.75 in.  |
|                    | D        | 31.625 in. |
|                    | H*       | 74.25 in.  |
| Crated Weight      | 576 lbs. |            |
| Doors/Drawers/Lids | 3        |            |
| Max Weight Support | -        |            |

### STORAGE DATA

|                        |    |
|------------------------|----|
| Net Capacity Cu. Ft. † | 71 |
| Shelves                | 9  |
| Barrels                | -  |
| 20 oz. Bottles         | -  |
| 12 oz. Bottles         | -  |
| 12 oz. Cans            | -  |
| 8" Mugs                | -  |
| # of Pans (Top)        | -  |
| # of Pans (Drawer)     | -  |
| Dividers               | -  |
| Trays                  | -  |

### ELECTRICAL DATA

|                      |            |
|----------------------|------------|
| Voltage              | 115-60-1   |
| Full Load Amperage   | 8A         |
| Feed Wires w/ Ground | 3          |
| Cord Length          | 9ft        |
| NEMA Plug Type       | NEMA 5-15P |

### REFRIGERATION DATA

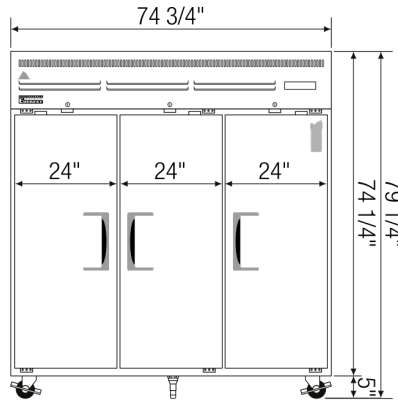
|               |       |
|---------------|-------|
| Compressor    | Top   |
| Refrigerant   | R-290 |
| Compressor HP | 3/4   |
| BTU/HR †      | 4445  |

### KEY

|           |            |             |               |
|-----------|------------|-------------|---------------|
| <b>D</b>  | Door       | <b>R</b>    | Refrigerator  |
| <b>L</b>  | Lid        | <b>REF</b>  | Refrigerator  |
| <b>H</b>  | Half Door  | <b>F</b>    | Freezer       |
| <b>FD</b> | Full Door  | <b>FRZ</b>  | Freezer       |
| <b>SD</b> | Solid Door | <b>DUAL</b> | REF/FRZ Combo |
| <b>GD</b> | Glass Door | <b>DR</b>   | Drawer        |

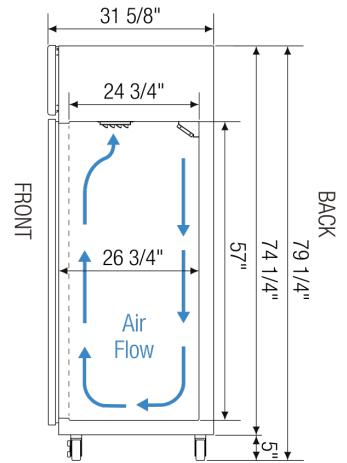
|  |           |       |      |    |      |
|--|-----------|-------|------|----|------|
|  | Elevation | Right | Plan | 3D | Back |
|  |           |       |      |    |      |

### PLAN VIEW

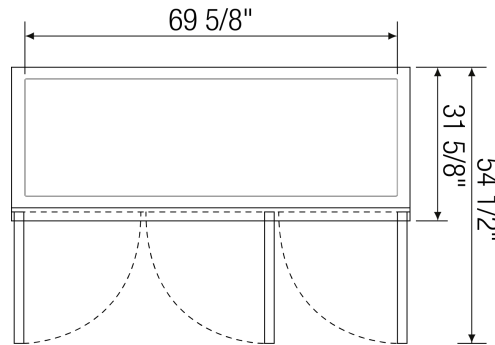


▲ ESR3

FRONT



SIDE



TOP

### ACCESSORIES & OPTIONS

- Additional Shelving - Contact Everest Refrigeration for more information.
- AJL03-00 - Interchangeable Leg for Caster (Optional)
- CASA3-01 - 3" Overall Height Caster Assembly - (2) Front (2) Rear
- Left Hinged Door - Contact Everest Refrigeration for more information.

(†)Based on evaporating temperature of 23°F (-5°C) & condensing temperature of 131°F (55°C). (‡) Product capacity is calculated based on standard industry figures. (\*) Reference plan view for clarification on caster/unit height. If dimensions and capacity are critical, please contact Everest Refrigeration. Blizzard R290 replacement is at the sole discretion of Everest Refrigeration. Specifications subject to change without notice.