

# SOLID SLIDE LID GLASS & PLATE CHILLER



EGC65

EGC Series



### Refrigeration System

- Bottom mounted, self-contained and retractable condensing unit uses environmentally friendly, EPA compliant R290 refrigerant with zero (0) Ozone Depletion Potential (ODP) and three (3) Global Warming Potential (GWP). Blizzard R290 is easily replaceable and requires no on-site brazing.
- Electronically commutated (ECM) fan motors achieve rapid cooling with less energy consumption.
- Full-length air duct ensures optimal cold air circulation.
- Time-initiated and temperature-terminated defrost cycle with defrost heater.
- Large capacity, corrosion-resistant condenser and evaporator coils.
- Self-maintaining, energy-efficient condensate drain pan requires no external drains or electric heaters.
- High performance, auto-reverse condenser fan motor supports compressor ventilation and condenser coil cleaning.
- Pre-wired and ready to plug, 115V/60Hz/1Ph, NEMA 5-15P

### Cabinet Construction

- Heavy duty stainless steel countertop and rails with textured laminate, black vinyl exterior.
- Open spaced interior with no walls between compartments.
- Galvanized steel interior.
- 1 3/4" thick high density polyurethane insulation.
- Built-in caster thread receptacles.

### Lighting

- Shielded LED bar lighting with on/off switch provides bright, high color illumination at lower heat output.

### Lids

- Heavy duty stainless steel exterior and galvanized steel interior.
- 3/4" thick high density polyurethane insulation.
- Removable ratchet locks keep your items safe from theft.

### Shelving

- Two levels of epoxy coated, steel wire shelves slide horizontally for easy storage of glasses and plates (see table for quantity).

### Temperature Control

- Multi-function digital controller with easy to read LED display.
- Factory preset temperature, -4°F.
- Temperature setting range from -10°F to 54°F.
- Audible overheat protection alarm for compressor and condenser coil.

### Options

- 3" or 5" swivel casters with locks.
- 3.5" – 6" height-adjustable and interchangeable legs.



| Type | Doors | Capacity |         | Shelves | Refrigerant | HP  | Power V-Hz-Ph | Amps | Crated Weight | Exterior Dimensions |        |        |
|------|-------|----------|---------|---------|-------------|-----|---------------|------|---------------|---------------------|--------|--------|
|      |       | Cu. Ft.  | 8" Mugs |         |             |     |               |      |               | L                   | D      | H*     |
| FRZ  | 2     | 21       | 290     | 7       | R-290       | 1/2 | 115-60-1      | 5    | 314 lbs       | 64.625"             | 26.75" | 33.75" |

(†)Based on evaporating temperature of 23°F (-5°C) & condensing temperature of 131°F (55°C). (P) Product capacity is calculated based on standard industry figures. (\*) Reference plan view for clarification on caster/unit height. If dimensions and capacity are critical, please contact Everest Refrigeration. Blizzard R290 replacement is at the sole discretion of Everest Refrigeration. Specifications subject to change without notice.

# SOLID SLIDE LID GLASS & PLATE CHILLER



## EGC65

## EGC Series

### DIMENSIONAL DATA

|                    |    |            |
|--------------------|----|------------|
| External Dims.     | L  | 64.625 in. |
|                    | D  | 26.75 in.  |
|                    | H* | 33.75 in.  |
| Crated Weight      |    | 314 lbs.   |
| Doors/Drawers/Lids |    | 2          |
| Max Weight Support |    | -          |

### STORAGE DATA

|                        |     |
|------------------------|-----|
| Net Capacity Cu. Ft. † | 21  |
| Shelves                | 7   |
| Barrels                | -   |
| 20 oz. Bottles         | -   |
| 12 oz. Bottles         | -   |
| 12 oz. Cans            | -   |
| 8" Mugs                | 290 |
| # of Pans (Top)        | -   |
| # of Pans (Drawer)     | -   |
| Dividers               | -   |
| Trays                  | -   |

### ELECTRICAL DATA

|                      |            |
|----------------------|------------|
| Voltage              | 115-60-1   |
| Full Load Amperage   | 5A         |
| Feed Wires w/ Ground | 3          |
| Cord Length          | 9ft        |
| NEMA Plug Type       | NEMA 5-15P |

### REFRIGERATION DATA

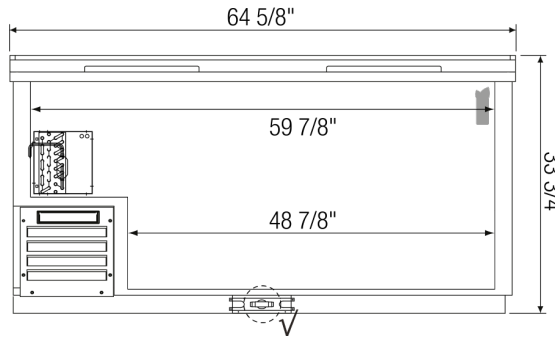
|               |       |
|---------------|-------|
| Compressor    | Side  |
| Refrigerant   | R-290 |
| Compressor HP | 1/2   |
| BTU/HR †      | 1979  |

### KEY

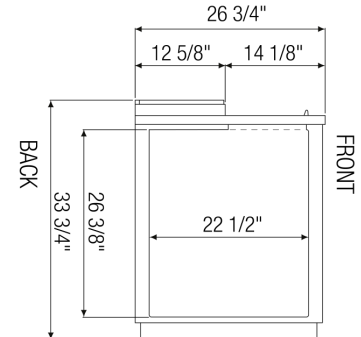
|           |            |             |               |
|-----------|------------|-------------|---------------|
| <b>D</b>  | Door       | <b>R</b>    | Refrigerator  |
| <b>L</b>  | Lid        | <b>REF</b>  | Refrigerator  |
| <b>H</b>  | Half Door  | <b>F</b>    | Freezer       |
| <b>FD</b> | Full Door  | <b>FRZ</b>  | Freezer       |
| <b>SD</b> | Solid Door | <b>DUAL</b> | REF/FRZ Combo |
| <b>GD</b> | Glass Door | <b>DR</b>   | Drawer        |

|  |           |       |      |    |      |
|--|-----------|-------|------|----|------|
|  | Elevation | Right | Plan | 3D | Back |
|  |           |       |      |    |      |

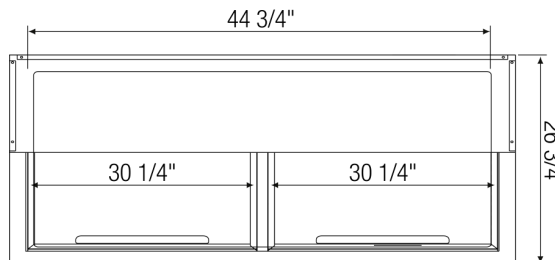
### PLAN VIEW



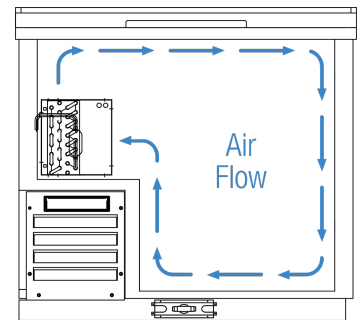
FRONT



SIDE



TOP



AIRFLOW

### ACCESSORIES & OPTIONS

- AJL03-00 - Interchangeable Leg for Caster (Optional)
- CASA3-01 - 3" Overall Height Caster Assembly - (2) Front (2) Rear
- CASA5-01 - 5" Overall Height Caster Assembly - (2) Front (2) Rear

(†)Based on evaporating temperature of 23°F (-5°C) & condensing temperature of 131°F (55°C). (‡) Product capacity is calculated based on standard industry figures. (\*) Reference plan view for clarification on caster/unit height. If dimensions and capacity are critical, please contact Everest Refrigeration. Blizzard R290 replacement is at the sole discretion of Everest Refrigeration. Specifications subject to change without notice.