



# BEVERAGE-AIR

Project: _____	AIA#
Item: _____	
Location: _____	SIS#
Approved: _____	

**DW94HC DEEP WELL SERIES: HORIZONTAL BOTTLE COOLERS**

## HORIZONTAL BOTTLE COOLERS

DW94HC Deep Well Series  
Hydrocarbon Series

MODEL:  
DW94HC-B



**5 Year Parts/Labor Warranty Available**

**7 Year Compressor Warranty**

### CABINET CONSTRUCTION

- Exterior features durable black painted steel
- Galvanized steel interior and floor
- Full electronic control
- Tops include easy glide, stainless steel lids (4)
- Stainless steel countertop with integral glass stops
- Six (6) epoxy coated adjustable wire dividers
- Bottle opener and cap catcher standard
- Constructed with high cooling RPM fans to provide fast cooling

### OPTIONS & ACCESSORIES

- 3 Year parts/labor standard, additional 2 year warranty available
- Stainless steel interior
- Wire divider
- Lid locks
- 3" Casters or 6" adjustable leg with plate
- Remote option\* (see note on back on page)

### REFRIGERATION SYSTEM

- Refrigeration system uses R290 refrigerant to comply with all environmental concerns
- Automatic, non-electric defrost
- Epoxy coated evaporator coil
- Forced air refrigeration system holds product between 36°- 40°F



  
Please verify qualifying units by visiting:  
[www.energystar.gov/cfs](http://www.energystar.gov/cfs)

3779 Champion Blvd., Winston-Salem, NC 27105  
1-888-845-9800 Fax: 1-336-245-6453  
Beverage-Air.com Sales@bevair.com



# BEVERAGE-AIR

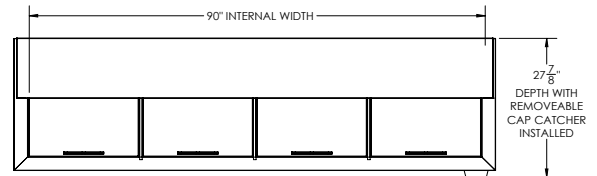
MODEL	DW94HC-B
<b>EXTERNAL DIMENSIONAL DATA</b>	
Width Overall	95"
Depth Overall	26 5/8"
Depth Overall with Cap Catcher	27 7/8"
Height Overall	33 3/4"
Number of Lids	4
<b>INTERNAL DIMENSIONAL DATA</b>	
NET Capacity (cubic ft.)	28.63
Internal Width Overall (in)	90"
Internal Depth Overall (in)	22 3/4"
Internal Height Overall at Step (in)	16 3/4"
Internal Height Overall (in)	26 3/4"
Number of Dividers	6
12 oz. Bottle Capacity	39 Cases
12 oz. Can Capacity	55 3/4 Cases
<b>ELECTRICAL DATA</b>	
Full Load Amperes	2.5
<b>REFRIGERATION DATA</b>	
Horsepower	1/4
Capacity (BTU/Hr)	1702
Heat Rejection (BTU/Hr)	2553
Charge (lbs/grams/ounces)	0.2094 / 95 / 3.35
<b>SHIPPING DATA</b>	
Gross Weight - Crated	468 lbs
Height - Crated	41"
Width - Crated	98"
Depth - Crated	29"

\*NOTE: Remote units are field wired and come with 6" legs.  
Refrigerant must be specified at time of order.

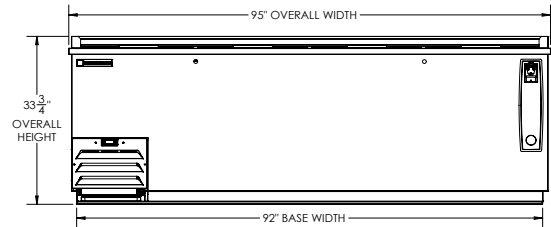
## Horizontal Bottle Coolers - Deep Well Model: DW94HC-B

### Model Views

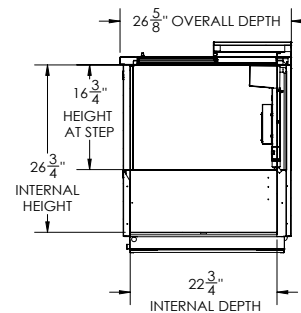
Required Clearance: 3" Sides & Rear



### PLAN VIEW



### ELEVATION VIEW



### SIDE VIEW



### ELECTRICAL CONNECTION



115/60/1  
NEMA 5-15P

Unit pre-wired at factory  
and include 8' long cord  
and plug set.