



# BEVERAGE-AIR

|                 |      |
|-----------------|------|
| Project: _____  | AIA# |
| Item: _____     |      |
| Location: _____ | SIS# |
| Approved: _____ |      |

**DP72HC FOOD PREPARATION: DELI/PIZZA PREP SERIES**

## FOOD PREPARATION TABLES

### DP72HC Deli/Pizza Two Door Prep Table

Hydrocarbon Series

**MODEL:**  
**DP72HC**



**5 Year Parts/Labor Warranty Available**  
**7 Year Compressor Warranty**

#### CABINET CONSTRUCTION

- Stainless steel front, sides, top, doors, and grille (galvanized back & bottom)
- Interior liner is made of corrosion resistant aluminum
- Aluminum top interior liner prevents spill from falling into cabinet
- Stainless steel top
- Removable hoods and insulated lid assemblies are made of matching stainless steel
- Self-closing doors with 120° stay-open feature, on lift-off hinges
- Snap-in door gaskets
- Easy lift-off door removal for service and cleaning
- Field reversible door
- 3" Casters, 2 with brakes standard
- 19" Wide reversible cutting board constructed of white polyethylene plastic
- Cutting board removable for cleaning
- Four (4) epoxy-coated steel wire shelves
- Units will accept pans up to 6" deep (pans are not included)
- Compressor available on left or right, specify at time of unit order

#### OPTIONS & ACCESSORIES

- 3 Year parts/labor standard, additional 2 year warranty available
- Stainless steel back
- Stainless steel interior
- Clear lid
- Combination door/drawer models
- Overshelf kits
- Additional shelves
- Shelf clips
- Pan support
- Door locks
- Composite cutting board
- Thermometer
- Night cover
- Bun tray rack
- 6" Casters
- 6" Legs black or seismic/flanged
- Remote option\* (see note on back page)

#### REFRIGERATION SYSTEM

- Uses environmentally friendly, energy efficient R290 refrigerant, and meets all regulatory requirements for CARB, SNAP, DOE & more
- Adaptive defrost
- Epoxy coated evaporator coil
- Enhanced airflow maintains temperatures between 36° - 38°F



  
Please verify qualifying units by visiting:  
[www.energystar.gov/cfs](http://www.energystar.gov/cfs)

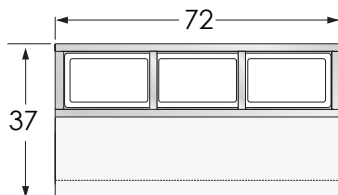
3779 Champion Blvd., Winston-Salem, NC 27105  
1-888-845-9800 Fax: 1-336-245-6453  
Beverage-Air.com Sales@bevair.com



# BEVERAGE-AIR

| MODEL                                  | DP72HC            |
|--|-------------------|
| <b>EXTERNAL DIMENSIONAL DATA</b>       |                   |
| Width Overall                          | 72"               |
| Depth Overall with Cutting Board       | 37"               |
| Height Overall with Casters & Lid Open | 53 1/2"           |
| No. of Doors                           | 2                 |
| Depth with Door Open 90°               | 55 1/8"           |
| Door Openings                          | 21 5/8" x 23 5/8" |
| Depth, Cutting Board                   | 19"               |
| <b>INTERNAL DIMENSIONAL DATA</b>       |                   |
| NET Capacity (cubic ft.)               | 21.87             |
| Internal Width Overall (in)            | 68"               |
| Internal Width Usable (in)             | 53"               |
| Internal Depth Overall (in)            | 26"               |
| Internal Height Overall (in)           | 23 7/8"           |
| No. of Shelves                         | 4                 |
| <b>ELECTRICAL DATA</b>                 |                   |
| Full Load Amperes                      | 4.5               |
| <b>REFRIGERATION DATA</b>              |                   |
| Horsepower                             | 1/2               |
| Capacity (BTU/Hr)                      | 2940              |
| Heat Rejection (BTU/Hr)                | 4410              |
| Charge (lbs/grams)                     | 0.231/105         |
| <b>SHIPPING DATA</b>                   |                   |
| Gross Weight - Crated                  | 470 lbs           |
| Height - Crated                        | 49"               |
| Width - Crated                         | 78"               |
| Depth - Crated                         | 37"               |

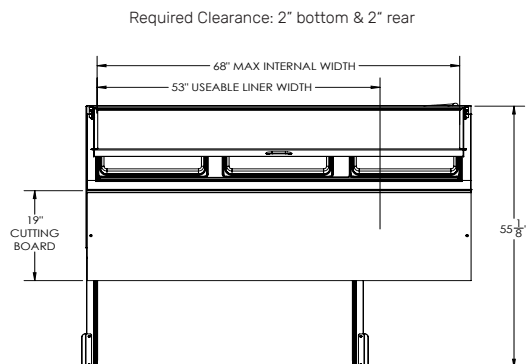
\*NOTE: Remote units are field wired and come with 6" legs.  
Refrigerant must be specified at time of order.



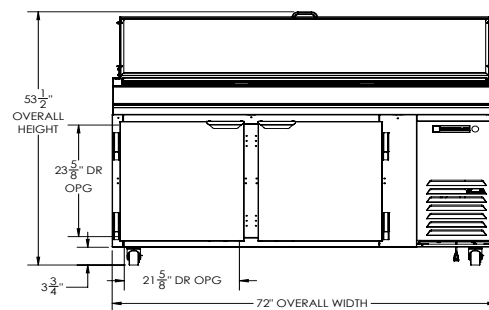
Top Configuration

## Deli/Pizza Preparation Table Model: DP72HC

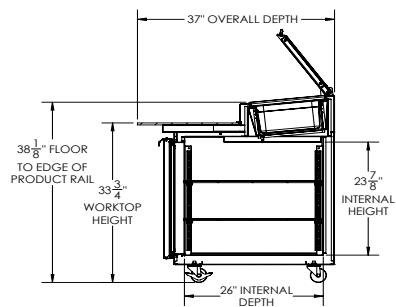
### Model Views



### PLAN VIEW



### ELEVATION VIEW



### SIDE VIEW



### ELECTRICAL CONNECTION



115/60/1  
NEMA 5-15P

Unit pre-wired at factory  
and include 8' long cord  
and plug set.