



"WE MAKE THE KITCHEN BETTER!"

Toll Free: 855-855-0399 Email: info@atosausa.com

www.atosa.com | www.atosausa.com

California, Colorado, Florida, Georgia, Illinois, Massachusetts, New Jersey, Ohio, Texas, Washington

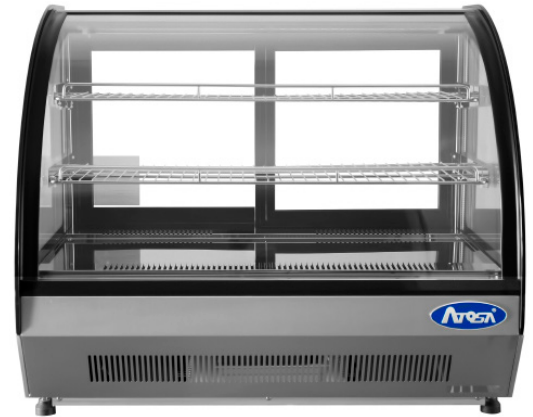
Countertop Refrigerated Display Curved / Square

Standard Features

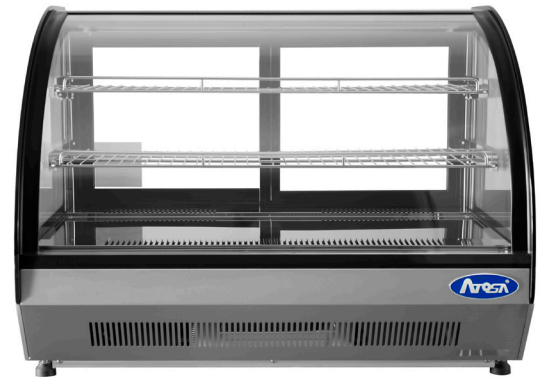
- Stainless steel exterior & interior with black frames
- Rear mount compressor with environmentally friendly R290 refrigerant
- Dixell digital controller
- Two(2) stainless steel shelves standard
- Defog feature to ensure the glass stays clear
- Maintains temperatures between 33°F – 41° F
- Magnetic door gasket(s) standard for positive door seal
- Two(2) rear sliding doors
- LED interior lighting
- Leveling legs
- Nema 5-15 plug

MODELS:

CRDC-35 / CRDC-46 / CRDS-42 / CRDS-56



CRDC-35



CRDC-46



CRDS-56



CRDS-42



1 YEAR PARTS AND LABOR WARRANTY (US ONLY)
5 YEAR COMPRESSOR PART WARRANTY (US ONLY)





“WE MAKE THE KITCHEN BETTER!”

Toll Free: 855-855-0399 Email: info@atosausa.com

www.atosa.com | www.atosausa.com

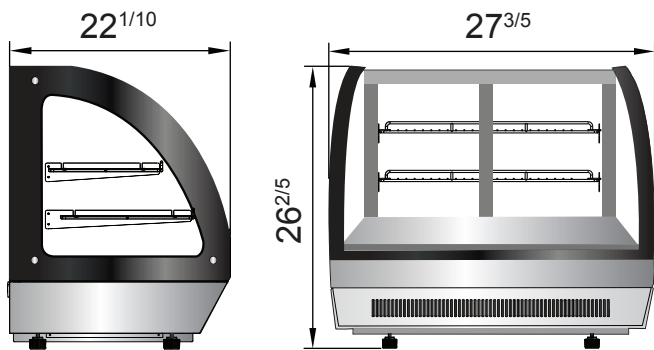
California, Colorado, Florida, Georgia, Illinois, Massachusetts, New Jersey, Ohio, Texas, Washington

SPECIFICATIONS

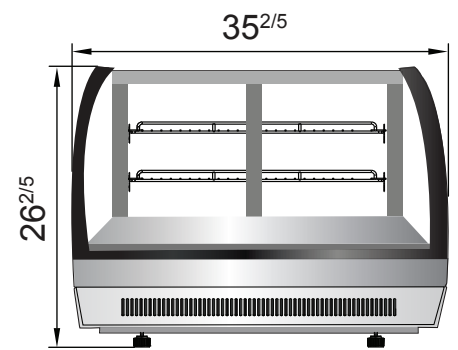
Model	Doors	Cu.Ft	Shelves	Exterior (WxDxH)	Interior	Weight	HP	Voltage	Amps	Refrigerant
CRDC-35	2	3.5	2	27 ^{3/5} ×22 ^{1/10} ×26 ^{2/5}	25 ^{1/5} ×16×15 ^{7/10}	172 lbs	1/5	115/60/1	2	R290
CRDC-46	2	4.6	2	35 ^{2/5} ×22 ^{1/10} ×26 ^{2/5}	33×16×15 ^{7/10}	200 lbs	1/5	115/60/1	2	R290
CRDS-42	2	4.2	2	27 ^{3/5} ×22 ^{1/10} ×26 ^{2/5}	25 ^{1/5} ×16×15 ^{7/10}	192 lbs	1/5	115/60/1	2	R290
CRDS-56	2	2	35 ^{2/5} ×22 ^{1/10} ×26 ^{2/5}	33×16×15 ^{7/10}	214 lbs	1/5	115/60/1	2	R290	

PLAN VIEW

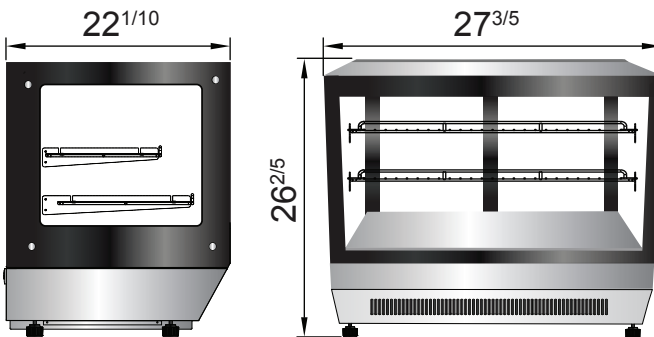
CRDC-35



CRDC-46



CRDS-42



CRDS-56

