



## COMPETITOR SERIES®



C-SP27-12BT-HC



C-SP48-18BT-HC



C-SP60-24BT-HC



C-SP72-30BT-HC

# BIG TOP SANDWICH PREPARATION TABLES

- Beautiful ergonomic construction & rounded corners
- Digital temperature controller and read-out
- All stainless steel exterior and interior
- Forced air refrigeration system
- 9<sup>1/4</sup>" deep cutting board included
- Recessed door handles
- Pre-installed casters and shelving
- 90 degree hold open door feature for loading products
- All Natural R290 Hydrocarbon Refrigerant
- US Department of Energy Certified
- Insulated hood and lids ensure food products in rail stay cold
- Migali® Protection Plan: 2 Year Parts & Labor Warranty, 5 Years Compressor Warranty

MODEL	DOORS	NUM. OF (1/6) SIZE PANS*	CAPACITY CU/FT	SHELVES	H/P	AMPS	VOLTAGE	ENERGY CONSUMPTION KWH/24 HR	PLUG TYPE	TEMP RANGE	EXTERIOR DIMENSIONS W X D X H**	INTERIOR DIMENSIONS W X D X H	PACKAGED DIMENSIONS W X D X H**	WEIGHT	PACKAGED WEIGHT
C-SP27-12BT-HC	1	12	7.9	2	1/7+	2.3	115/60/1	1.6	Nema 5-15P	+33° F (-) +41° F	27.5 x 34 x 47.2	23.9 x 23.6 x 26.4	30 x 37 x 51	170 lbs.	212 lbs.
C-SP48-18BT-HC	2	18	14.7	4	1/7+	2.3	115/60/1	1.9	Nema 5-15P	+33° F (-) +41° F	48.25 x 34 x 47.2	44.7 x 23.6 x 26.4	51 x 37 x 51	243 lbs.	294 lbs.
C-SP60-24BT-HC	2	24	20.7	4	1/5	2.8	115/60/1	2.1	Nema 5-15P	+33° F (-) +41° F	60.25 x 34 x 47.2	56.7 x 23.6 x 26.4	64 x 37 x 51	285 lbs.	340 lbs.
C-SP72-30BT-HC	3	30	25.2	6	1/5	2.8	115/60/1	2.3	Nema 5-15P	+33° F (-) +41° F	72.7 x 34 x 47.2	69.1 x 23.6 x 26.4	75 x 37 x 51	331 lbs.	402 lbs.

\* Pans are not included  
 \*\* Total height includes casters

FOR COMMERCIAL USE ONLY

NOTE: MIGALI® RESERVES THE RIGHT TO CHANGE SPECIFICATIONS WITHOUT NOTICE

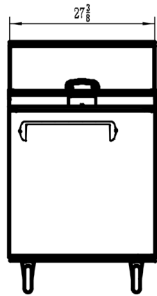


TOLL FREE: 800.852.5292  
 WEB: www.migali.com

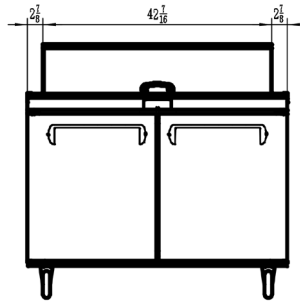


# DIMENSIONAL DRAWINGS

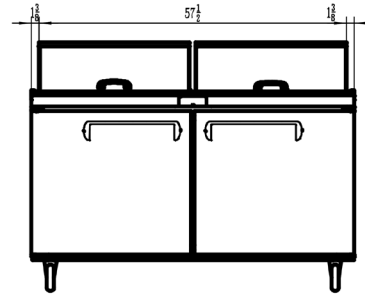
**C-SP27-12BT-HC**



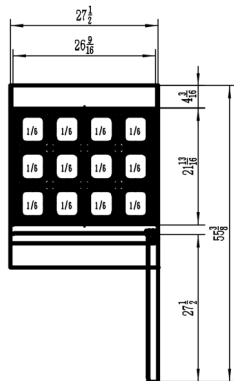
**C-SP48-18BT-HC**



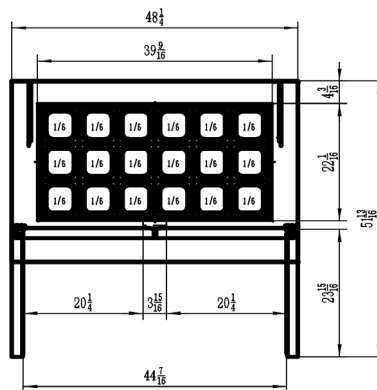
**C-SP60-24BT-HC**



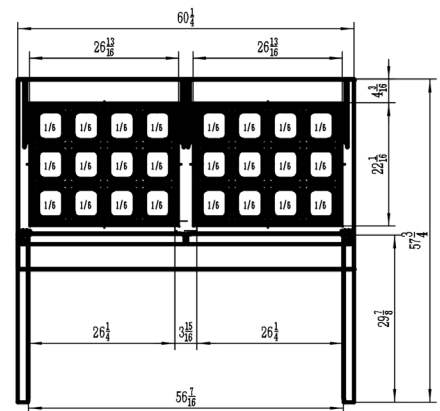
**C-SP27-12BT-HC  
TOP VIEW**



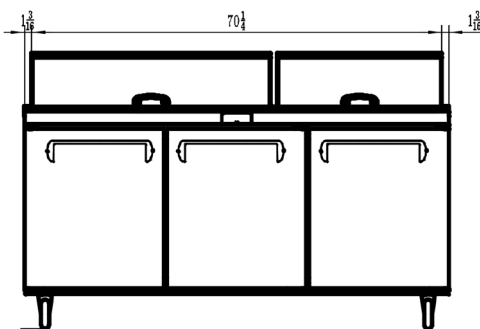
**C-SP48-18BT-HC  
TOP VIEW**



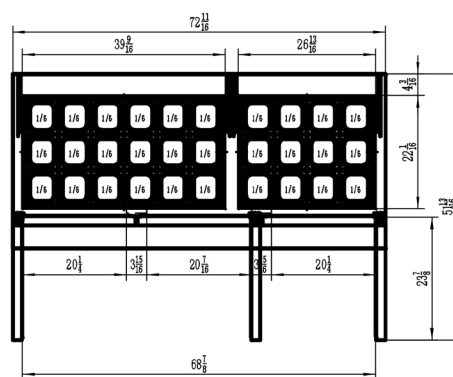
**C-SP60-24BT-HC  
TOP VIEW**



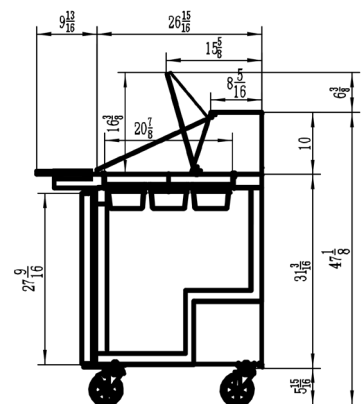
**C-SP72-30BT-HC**



**C-SP72-30BT-HC TOP VIEW**



**SIDE VIEW  
(1,2,3 DOOR MODELS)**



MIGALI® REMAINS AN AMERICAN FAMILY COMPANY SINCE 1955