



BB-G Series

Back Bar Refrigerator with Glass Swing Door



BB-G Series
08/04/23
Item # 13537

- BB59-G
- BB80-G
- BB59-G-S*
- BB80-G-S*
- BB69-G
- BB95-G
- BB69-G-S*
- BB95-G-S*



BB59-G(-S*)



BB59-G-S*



BB69-G(-S*)



BB80-G(-S*)



BB95-G(-S*)

Item #: _____
Project: _____
Qty: _____
AIA#: _____

Features

- ▶ Engineered to maintain NSF-7 temperatures in 100°F ambient. (Certified to NSF-7 temperatures in 86°F ambient.)
- ▶ Heavy duty 18-gauge stainless steel top with fully welded corners
- ▶ Maximum product storage capacity with the ability to store tall boys three high per section

- Black vinyl coated exterior front, sides, and rear
- Energy efficient Low-E Multi pane glass self-closing doors come standard with barrel locks
- Stainless steel interior with LED lights
- Electronic controller with digital LED display (°F or °C)
- Includes (2) gray epoxy coated shelves per section with product stops
- Stainless steel shelf clips adjustable in 1/2" increments
- Front breathing, side mount refrigeration is easily accessible by sliding out front for cleaning and service
- Zero clearance requirements sides and rear
- Cabinets are designed to maintain interior temperatures between 32°F to 38°F
- Environmentally friendly R290 refrigerant

Model	Cabinet Dimensions W x D x H	Capacity (AHAM) cu ft	Capacity 12oz. cans	Door(s)	Shelves	1/2 Barrel(s)	HP	Amps	Voltage	NEMA Plug	Shipping Dimensions L x W x H	Shipping Weight (lbs.)
BB59-G(-S*)	59.5" x 29" x 36.88"	18.45 ft ³	852	2	4	3	1/3	2.5	115	8 ft. 5-15P	62.5" x 31.25" x 42.75"	310 / 330 (-S)
BB69-G(-S*)	69.5" x 29" x 36.88"	21.80 ft ³	1014	2	4	3	1/3	2.5	115	8 ft. 5-15P	72.5" x 31.25" x 42.75"	345 / 395 (-S)
BB80-G(-S*)	80" x 29" x 36.88"	26.74 ft ³	1092	3	6	4	1/3	2.5	115	8 ft. 5-15P	82.5" x 31.25" x 42.75"	370 / 430 (-S)
BB95-G(-S*)	95.5" x 29" x 36.88"	32.53 ft ³	1302	3	6	5	1/3	2.5	115	8 ft. 5-15P	98.5" x 31.25" x 42.75"	435 / 490 (-S)



Options & Accessories

- * (-S) Stainless steel exterior option available - made to order.
- HS-5609 - Low profile 4" casters & rails (4 casters & shims)
- HS-5610 - Low profile 4" casters & rails (6 casters & shims)
- HS-5515 - Bottle rail guide

If GFCI is required, a GFCI breaker MUST be used in lieu of GFCI receptacle

Warranty

- 3 Year Parts and labor
- 5 year Compressor

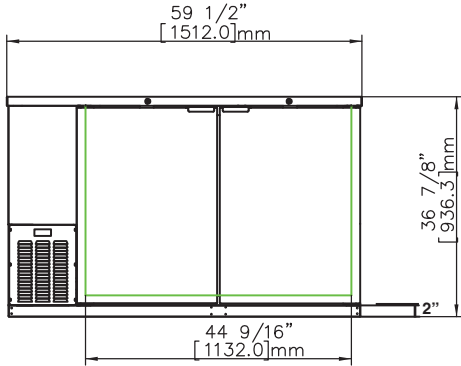
Hoshizaki reserves the right to change specifications without notice.



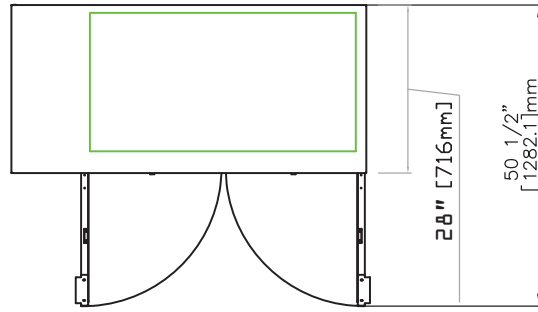
BB-G Series

Back Bar Refrigerator with Glass Swing Door

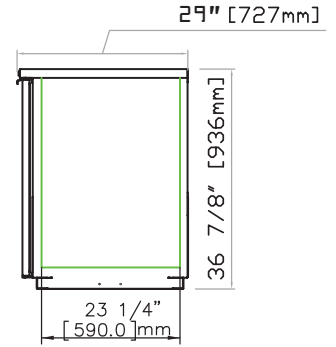
BB-G Series
08/04/23
Item # 13537



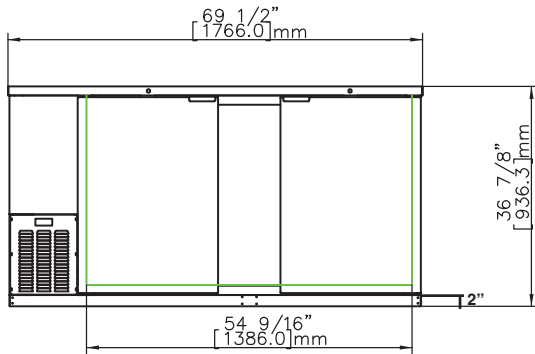
BB59-G(-S) Front View



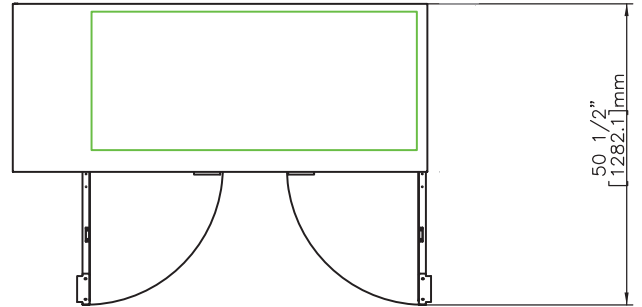
BB59-G(-S) Plan View



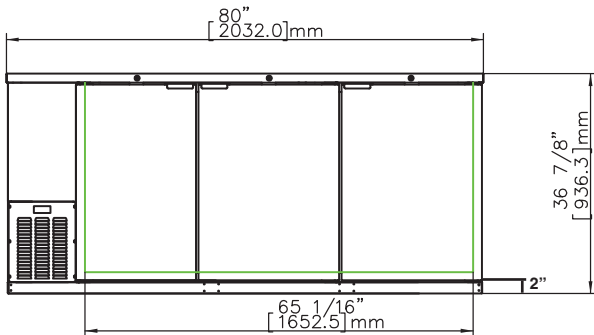
All models Side View



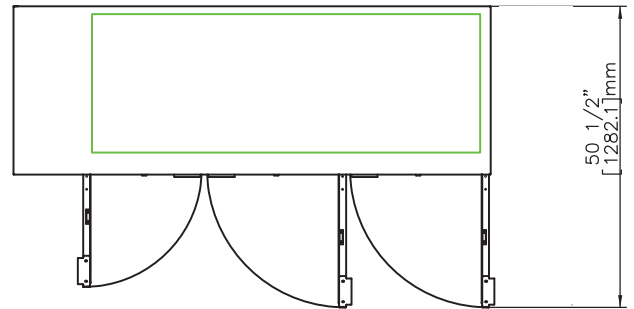
BB69-G(-S) Front View



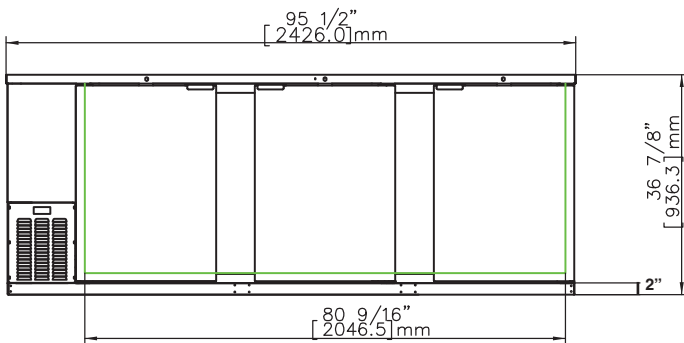
BB69-G(-S) Plan View



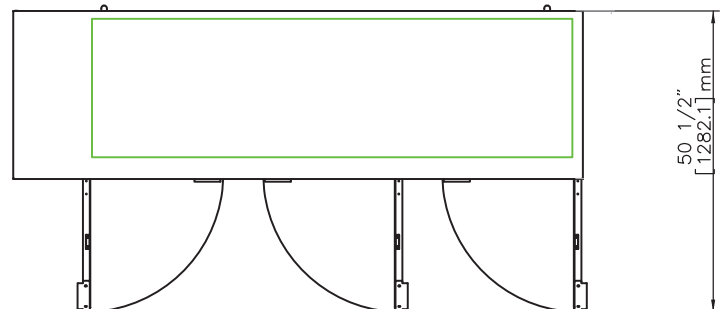
BB80(-S) Front View



BB80-G(-S) Plan View



BB95-G(-S) Front View



BB95-G(-S) Plan View