

# 36” Infrared Salamander Broiler

(Range Mount or Wall Mount)

| MODELS: |
|---------|
| ATSB-36 |

## Standard Features

- Stainless steel exterior and interior
- Dual valve controls for left and right-side independent operation
- Two(2) 21,500 BTU high efficiency ceramic infrared burners and standby pilots – totals 43,000 BTU’s
- 1 minute pre-heat time
- 4 position rack adjustments on salamander broiler
- One(1) removable broiler chrome rack
- Removable crumb/grease tray
- Wall mounts directly to the wall without a mounting kit
- Range mount kit ships with salamander broiler
- 3/4” NPT rear gas connection and regulator standard



1 YR WARRANTY ON ALL PARTS AND LABOR (US ONLY)



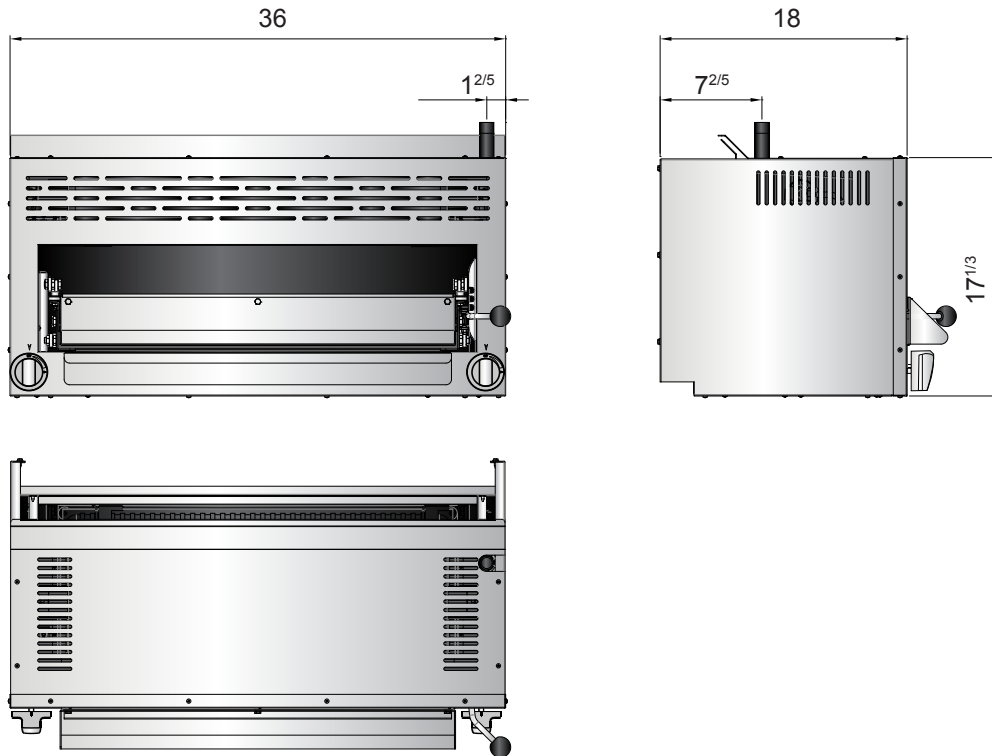
Conforms to ANSI  
STD Z83.11b-2009 (2011)  
Certified for CSA  
STD 1.4B-2009 (2011)  
Conforms to NSF/ANSI STD.4



**SPECIFICATIONS**

| Models  | Burners and control method              | Gas type | Intake-tube pressure (in.W.C.) | Per BTU B.T.U./h | Total BTU B.T.U./h | Regulator | Exterior dimensions (inch) | Net weight (lbs) | Gross weight (lbs) |
|---------|---|----------|--------------------------------|------------------|--------------------|-----------|----------------------------|------------------|--------------------|
| ATSB-36 | 2 Burners<br>Independent Manual Control | NG       | 5                              | 21,500           | 43,000             | 5" w.c.   | 36x18x17 <sup>1/3</sup>    | 143.3            | 168.6              |
|         |   | LP       | 10                             | 21,500           | 43,000             | 10" w.c.  |                            |                  |                    |

**PLAN VIEW**



**ATSB-36**

