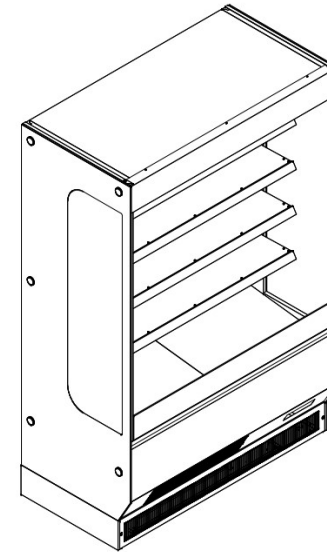




*We Make the Kitchen Better!*

# Owner's Manual for the Open-Air Merchandiser



**AOM Series**



**Intertek**  
4003935  
CONFORMS TO UL STD. 471  
CERTIFIED TO CSA STD. C22.2 NO. 120

## Contents

|       |       |                                    |
|-------|-------|------------------------------------|
| I.    | ..... | <b>Important Safety Guidelines</b> |
| II.   | ..... | <b>Precautions</b>                 |
| III.  | ..... | <b>Installation and Operation</b>  |
| IV.   | ..... | <b>Maintenance</b>                 |
| V.    | ..... | <b>Troubleshooting</b>             |
| VI.   | ..... | <b>Structure Diagram</b>           |
| VII.  | ..... | <b>Circuit Diagram</b>             |
| VIII. | ..... | <b>Major Technical Parameters</b>  |
| IX.   | ..... | <b>Control Panel Operation</b>     |

## For Warranty Service or Repair



At Atosa USA we are incredibly proud to have our very own in-house service department, Smart Kitchen Service. At Smart Kitchen Service, our staff is dedicated to providing our customers with service and support exceeding their expectations. Each one of our service agents has been individually trained to make sure we provide you with the ultimate customer service experience. We pride ourselves on delivering superior customer service by providing a steady communication between our service agents and our customers. Smart Kitchen Service has over 500 technicians across the United States ready to serve you and our unique ability to provide customers with same day customers service gives us an edge over our competition. In our service department, every customer is assigned to a dedicated customer service representative who directly oversees their service call and its progress from start to finish. The direct involvement of our customer service team allows Smart Kitchen Service to remain flexible and tailor our service to suit the needs of our customers. When you need a solution, our customer service representatives are there to help you find it. We make your satisfaction and continued business our priority!

For warranty or technical support, please contact our Smart Kitchen Service team at one of the options listed below.

**We Make the First Call the Right Call!**

Toll Free: 1 (800) 683-8660

For Warranty Information: [Warranty@AtosaUSA.com](mailto:Warranty@AtosaUSA.com)

For Parts Information: [Parts@AtosaUSA.com](mailto:Parts@AtosaUSA.com)

## Correct Disposal of the Appliance



This marking indicates that the product should not be disposed of with other household wastes. To prevent possible harm to the environment or human health from uncontrolled waste disposal, please recycle the appliance responsibly. To return your used appliance, Please contact the dealer where you purchased the appliance.

This appliance meets or exceeds:

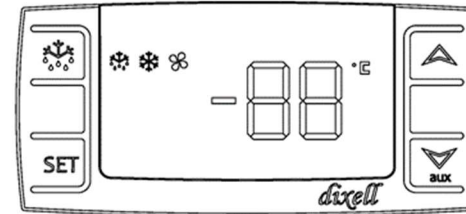
1. UL-197 Standard for Commercial Electric Cooking Appliances
2. NSF\_ANSI\_7-2009 Commercial Refrigerators and Freezers

## I. Important Safety Guidelines

- To reduce the risk of fire, electric shock, or injury when using the appliance. Basic safety guidelines, including the following, should be observed.
- This appliance must be properly installed in accordance with this manual before it is used.
- Before the appliance is plugged in, please verify that the voltage provided by the outlet matches the voltage rating on the appliance. The appliance needs to be plugged directly into an outlet that is on its own circuit breaker. **DO NOT USE: Surge Protectors, Extension Cords, Power Strips, or Multi-tap Adapters.**
- The appliance can be used by adults if, the appliance is used in a safe manner, and the user understands the hazards involved.
- Children should not play on or around the appliance.
- Cleaning of the appliance should not be performed by children without proper adult supervision.
- If the power cord is damaged, it must be replaced by the manufacturer or an authorized service provider in order to avoid a safety hazard.
- Always connect the power cord to a properly grounded outlet.
- Keep the cord clear of foot traffic so it does not create a tripping hazard. Never run cords under carpeting, runners or the like.
- Always unplug the appliance before cleaning, when not in use, and when moving or performing maintenance on the appliance. Note: To disconnect the appliance, turn off the power switch and remove the plug from the power outlet.
- Do not pull on the cord to disconnect the power. Always remove the plug end from the power outlet.

- Do not touch or unplug the power cord with wet hands. Always verify the cord is, free of water and dust, and securely connected to the outlet.
- **Do not use the Appliance Outdoors**
- Do not splash water on the appliance. It may cause a malfunction or electric shock.
- Do not disassemble, repair or alter the appliance. It may cause a fire or abnormal operations, which may lead to injury.
- The refrigerant and the insulation blowing gas used in the appliance require special disposal procedures. When disposing of the appliance, please consult with an authorized service agent.
- Do not use the appliance to store explosive materials, such as aerosol can with a flammable propellant.
- **Max Load of 1 Shelf in the AOM-40B is 66lbs.**
- **Max Load of 1 Shelf in the AOM-50B is 80lbs.**

### IX. Control Panel Operation



| LED | Mode     | Meaning                        |
|-----|----------|--------------------------------|
| ❄️  | On       | Compressor Enabled             |
|     | Flashing | Anti-short Cycle Delay Enabled |
| ❄️💧 | On       | Defrost in Progress            |
|     | Flashing | Dripping in Progress           |
| °C  | On       | Measurement Unit               |
|     | Flashing | Programming Mode               |
| °F  | On       | Measurement Unit               |
|     | Flashing | Programming M4ode              |

1. How To Change the Set Point: Hold the “Set” key for more than 2 seconds to change the set point value. The value of the setpoint will be displayed with a flashing °C or °F LED. To change the setpoint value you may use the Δ or ▽ buttons. To save the new setpoint value press the “Set” key again. Note: If you stop during changing the setpoint the controller will timeout after 10 seconds and default back to the main temperature display.
2. How to Manually Defrost the Unit: Hold the ❄️ key for more than 2 seconds and the manual defrost will start.

### VIII. Major Technical Parameters

| Model                                  | AOM-40B               | AOM-50B          |
|--|-----------------------|------------------|
| Refrigerant Quantity(g)                | R290(140*2)           | R290(150*2)      |
| Max. ambient temp. / Relative Humidity | 75°F, RH55%           |                  |
| Temperature Range (°F)                 | 33°F - 45°F           |                  |
| Electricity                            | 115V / 1 Phase / 60Hz |                  |
| Rated Current(A)                       | 15                    | 16               |
| Net weight(lbs.)                       | 551                   | 606              |
| Light power(W)                         | 11*5                  | 14*5             |
| Overall dimension (inch) (L x W x H)   | 39.7 x 23.6 x 59.8    | 39.7 x 22.1 x 72 |

Electric shock prevention class: I

Climate Type: 3 (75°F, RH55%)

1. The Circuit Diagram on the unit and the parameters in the controller are final.
2. The design might be improved without notice.
3. If the power cord is damaged it must be replaced by the manufacturer or an authorized service provider to avoid hazards.

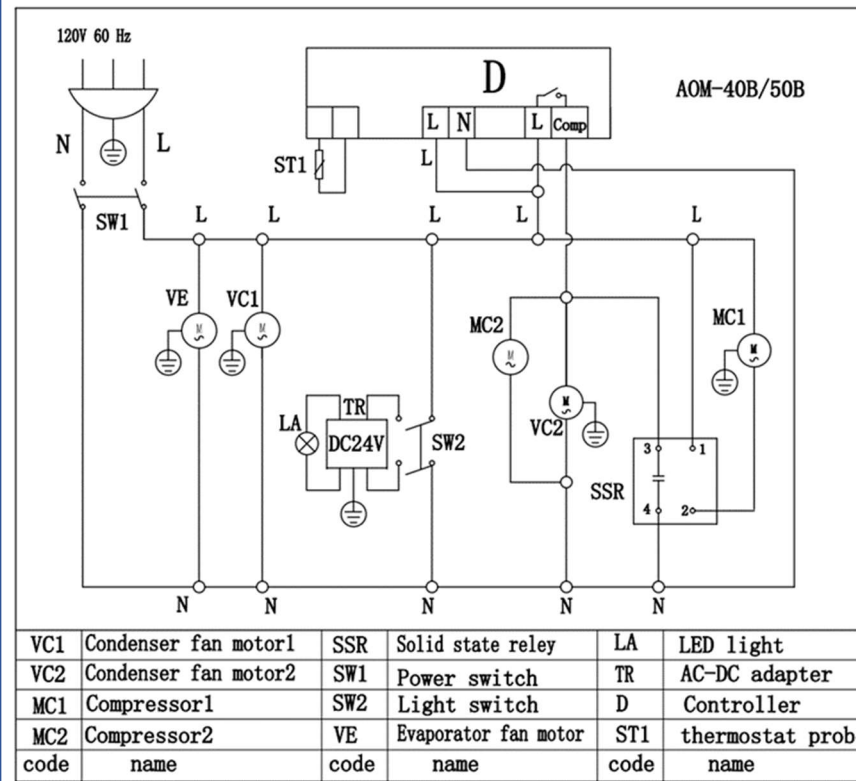
### II. Precautions

1. Please Read the Manual Carefully before using the appliance.
2. The performance of the appliance is dependent on the environment the appliance is placed in. For optimal performance place the appliance in a room with a temperature of 75°F or lower and a relative humidity of 55% or less.
3. This series of appliances are mainly used to display and sell drinks, dairy products, vegetables and fruits. During normal operation, the temperature inside the cabinet is between 34°F - 45°F. Use of this appliance for other applications may cause serious accidents. IE: Spoilage of Food
4. Put the appliance in a dry place.
5. Please allow at least 6 inches of clearance on all sides of the appliance for proper ventilation. After putting the appliance in place please wait at least 2 hours before plugging it in and turning it on.
6. Do not place the appliance in direct sunlight or near any heat source as this can greatly impact the refrigeration capability of the appliance.
7. Verify the appliance is installed on a flat level surface.
8. Do not drill holes in the appliance.
9. Do not place anything heavy on the top of the appliance.
10. Never tilt the appliance more than 45 degrees.
11. The glass on the cabinet is fragile, Damage to the glass is not covered by the warranty.

### III. Installation and Operation

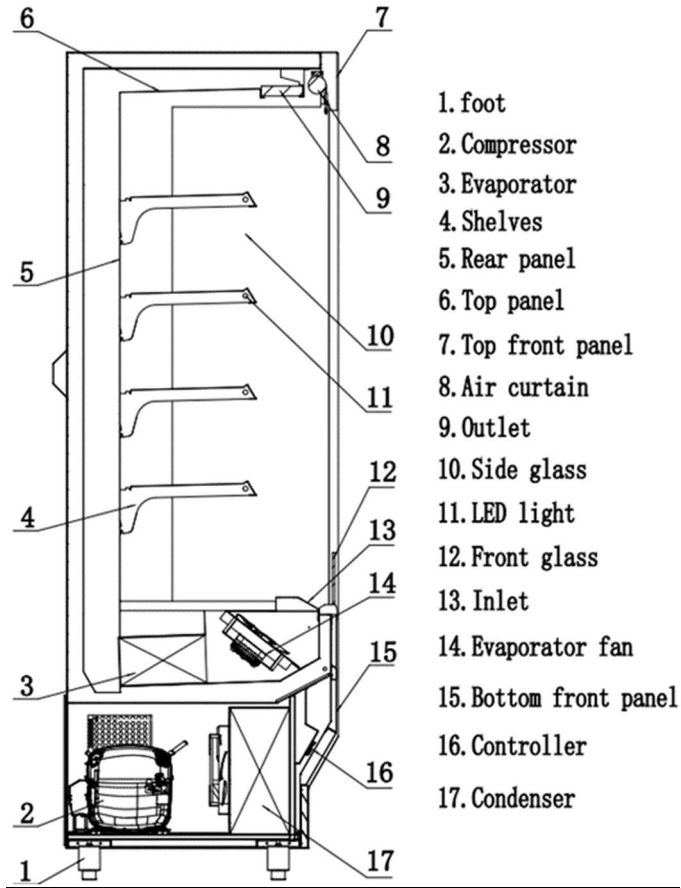
1. Once the appliance is in place remember to lock the front caster brakes and adjust the leveler feet to keep the cabinet level.
2. Only plug the appliance into a grounded 110v-120v AC single phase power outlet.
3. Never plug the appliance into an outlet that is shared with another appliance. This may cause the wiring to overheat and cause a fire.
4. Once the appliance is in place, please carefully wipe the appliance clean and connect it to the power outlet.
5. Turn on the light switch and make sure the lighting is working in the appliance. Turn on the Main Power switch and verify the machine starts and runs. Note: The machine will start for 10 seconds then shut off, it will come back on 3 minutes later. This is normal.
6. When running for the first time, please allow the appliance to run for 24 hours before placing product into the appliance. This is to verify that the refrigeration system in the appliance is functioning.
7. Please do not overload the shelves with product. (See “I. Important Safety Guidelines” for shelf ratings.)
8. When placing product into the appliance do not cover any of the holes in the back wall.
9. **THIS APPLIANCE IS NOT INTENDED TO STORE MEDICAL PRODUCTS OF ANY KIND**
10. If you need to unplug the appliance for anything, please allow at least 5 minutes before plugging the appliance back in.
11. Do not break or damage the electrical cables. This may lead to fire or electric shock.
12. Do not use excess water to clean the appliance. IE: Water hose, Buckets, etc.

### VII. Circuit Diagram



Note: This is a general circuit diagram. The actual circuit diagram for the specific unit is located on the back of the unit. Please refer to that diagram for specific wiring.

## VI. Structure Diagram



Note: Structure of unit is subject to change. Please refer to the actual unit to verify location of components.

13. Do not spray flammables near the appliance. IE: Paint, Aerosol cans, etc.
14. This appliance is not intended to be operated by children unless they are under direct adult supervision. Do not allow children to play in, on or around the appliance.
15. In the wet seasons, condensation might be found on the outside of the appliance. This is caused by humidity. Simply wipe it off with a dry cloth.
16. During the defrost cycle the temperature of the appliance may rise slightly. This is normal. When the defrost ends, the appliance will return to normal.



## CAUTION



Appliance uses Flammable Refrigerant. Risk of Fire or Explosion. Never attempt to repair this unit on your own. Consult a qualified service repair agency and follow all safety precautions.



## WARNING

APPLIANCE MUST BE GROUNDED. DO NOT REMOVE THE GROUND FROM THE POWER CORD.



## ATTENTION

Appliance must operate for 24 hours before loading product! Regularly check the temperature of the appliance. Keep products refrigerated before loading into the appliance.

**These appliances are designed for pre-chilled product only!**

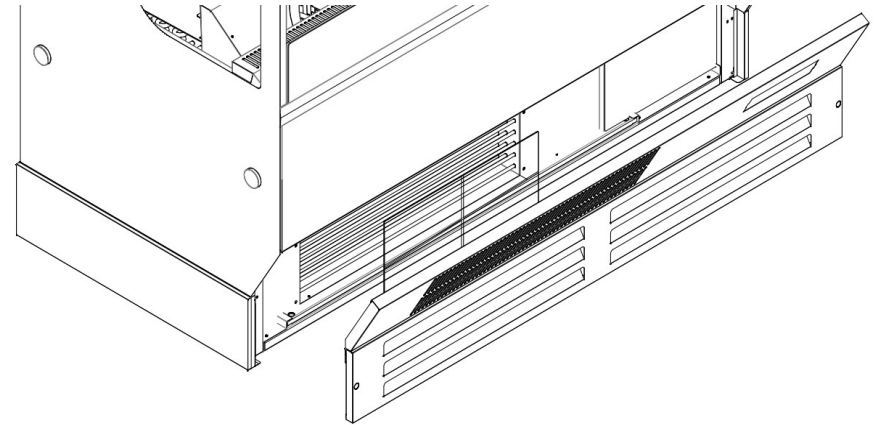
1. For simple troubleshooting/maintenance. IE: Poor Ventilation, Condenser Dirty, Etc. Please remember to disconnect the power cord before attempting.
2. For repair or replacement work. IE: Compressor Damage, Refrigerant Leaking, Etc. Please contact an authorized service provider.
3. If simple troubleshooting/maintenance does not resolve the issue you are having. Please contact an authorized service provider.



## V. Troubleshooting

| Issue                         | Cause   | Solution   |
|-------------------------------|---|--|
| The Compressor is not Running | Temperature controller failure  | Replace the temperature controller   |
|                               | Loose wire  | Verify wires are connected securely  |
|                               | The plug of the starter of the compressor is loose                    | Re-Plug the connector  |
|                               | The starter or the capacitor damaged                                  | Replace the starter or the capacitor   |
|                               | The compressor is damaged   | Replace the compressor   |
| High Cabinet Temperature      | Near a heat source  | Move the appliance away from the heat source   |
|                               | Evaporator is frozen  | Defrost manually   |
|                               | Over-inventory in the appliance which blocks the air outlet and inlet | Take out part of the product, move the product so that it is not covering the air outlet and inlet |
|                               | Refrigerant leaking   | Check the leak and refill refrigerant  |
|                               | Condenser Dirty   | Clean the condenser  |
|                               | Fan failure   | Repair or replace the fan  |
|                               | Temperature controller failure  | Replace the temperature controller   |
|                               | Poor ventilation  | Move the appliance to a location with better ventilation   |
|                               | Inside fan damaged  | Replace the fan  |
|                               | The air curtain is disturbed by a strong wind                         | Move the appliance to a location with less wind  |
| LED Light Failure             | Switch off or failure   | Turn on the switch or replace the switch   |
|                               | Wire connection is not reliable                                       | Check the plug point   |
|                               | The light power supply is damaged                                     | Replace the light power supply   |
|                               | Light is damaged  | Replace the light  |

## IV. Maintenance



1. In order to ensure food health and safety please clean the appliance once a week.
2. Before cleaning remember to unplug the appliance. Please use a mild detergent and rinsing water. Do not spray the unit with a hose.
3. To dry the appliance please use a clean cloth.
4. Please clean the dust out of the condenser on the unit monthly. To get to the condenser take the screws out of the bottom front panel with a Phillips screwdriver and remove the panel (See Picture Above). You may use a vacuum cleaner with a wand attachment and a soft (non-metallic) brush to remove any dust and debris. Do Not Bend the Coil Fins. Always wear gloves and protective eye wear when cleaning the debris from the coil fins. **Note: The coil fins are sharp. Please remember to put the bottom panel back on the unit once cleaning is complete to prevent injury.**



5. After cleaning the appliance, please ensure it is completely dry before plugging it back in.

6. Please pay attention to the appliance and check it frequently. If the appliance begins to make any unusual noises or begins to smell, cut off the power and unplug the appliance. Call an authorized service agent for repairs and do not turn the appliance back on unless instructed to by a professional.
7. We will not be responsible for any accident or injury incurred by failure to follow these notices.

 CAUTION

Risk of Electric shock. If cord or plug becomes damaged replace only with a cord and plug of the same type.

 CAUTION

Do NOT use HOT water on Cold Glass Surfaces. This can cause the glass to shatter and could result in personal injury. Allow glass fronts to warm up before applying hot water.

 WARNING

-LOCK OUT/TAG OUT-

To avoid serious injury or death from electrical shock, always disconnect the electrical power at the main circuit breaker when servicing or replacing any electrical component. This includes, but is not limited to, such items as lights, fans, and thermostats.