

# COMMERCIAL MICROWAVE OVENS

MEETS ALL  
FOOD SERVICE  
DEMANDS







**C.O.**  
COMMERCIAL  
MICROWAVE  
OVENS

Meet Every Food  
Service Demands



# WHO WE ARE

Midea is a world's leading manufacturer of air conditioners and appliances. Just getting to know us? Midea is a publicly listed World Fortune 500 company with over 100,000 employees and 21 production facilities worldwide, operating across 200+ countries.



Manufacturing Units



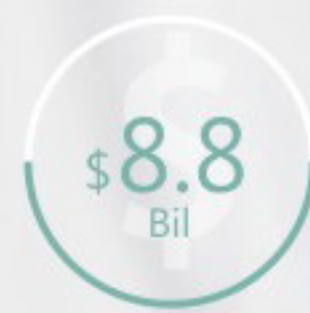
Operational space



Employees



Operating revenue  
in 2016



Export sales

FORTUNE  
**500**  
2016

World Fortune  
500 Company



50 Years  
manufacturing  
dedication



World's No.1  
Major Appliances  
Producer\*

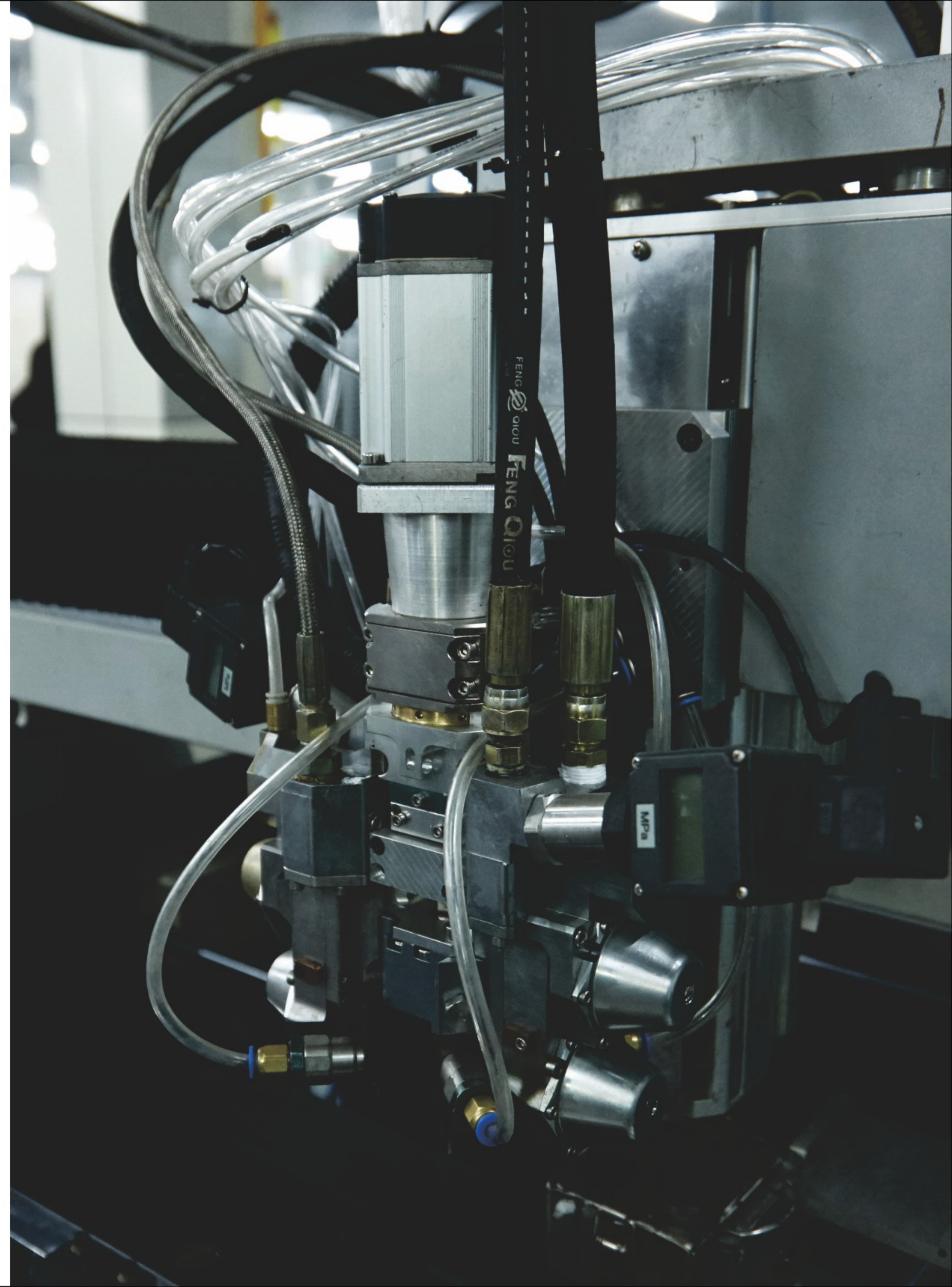


# Innovation With The World

Midea is committed to staying at the forefront of technology in the area of customer appliances. Never forgetting the principle of "customer-first", Midea strives to establish a technological advantage through teamwork and innovation.

Midea owns a large scale plant for manufacturing kitchen appliances and spare parts, equipped with industry-leading production facilities, assembly line, test labs, quality control and R&D centers.

The integrated system guarantees an efficient and strict quality assurance framework covering every aspect and sector of manufacturing.





# SUPERIOR DESIGN

For us, design is a journey. Starting from a designer's mind to binary codes of a super computer then further into the flame up to 2200°F, where it reaches its final destination: Innovation.

For us design is about transformation, process and form, technology and texture. It is the journey for and with humans.



DESIGN TEAM







# WHAT WE DO

Midea offers a broad range of commercial ovens to satisfy every food service need. Unprecedented performance, user-friendly interfaces and superior design are a few of the Midea advantages that makes us the supplier of choice for all commercial needs.

## MEETS ALL FOOD SERVICE DEMANDS

Our range of commercial ovens are all-purpose units that will cook virtually anything, from apples to zucchini. No matter the type of food there is always a suitable oven for your menu needs. Commercial microwaves are an essential addition to many restaurants, convenience

stores, and employee break rooms. They quickly heat and cook different portions of food for the ultimate in convenience. Although they are similar in functionality to residential units, they are more powerful and meet commercial regulations.

### Commercial Microwave Oven Ideal Applications

- Convenience Stores
- Hospitals
- Quick-Serve Restaurants
- Food Banks
- Coffee Shops
- Dormitory
- Health Centers
- Long Term Care Center
- Super Markets
- Railway Stations
- Bakery
- Juice Bars
- Bars
- Schools
- Stadiums
- Cruise Lines



# MIDEA'S HIGHER WATTAGE COMMERCIAL OVENS

No more waiting for your customers with Midea's higher Wattage commercial ovens.



Higher Wattage means shorter Cook Times

Model	Wattage (W)	Cooking Time (min)	Quantity (per hour)
1025F1A	1000	3:10	19
1034N1A	1000	3:10	24
1134G1A	1100	2:45	25
1234G1A	1200	2:15	26
1817G1A	1800	1:50	30
2117G1A	2100	1:20	45

\* Example: one lb. of fresh vegetables (approx.)



# High Performance



## Fast

Fast reheating and steaming with greater throughput and more consistent results.

## Efficient

Efficient heating system for better even heating with double rotating antennas.

## Superior

Better results with superior retention of food nutrients, texture and color as high power microwave cooking is so fast and requires only minimal amount of added water.

# User Friendly

1817G1A



## Stainless steel cabinet and oven cavity

Durable construction perfectly adapted to the commercial environment

## USB Menus updatable system

Menus can be updated based on chain restaurant requirements, then sent to all the ovens in the chain for consistent results

## Removable splatter shield

Easy to clean

## Grab'n Go handle

Strong and reliable, no moving parts

## Easy to control

User-friendly controls and user interface

## Stackable installation

Space utilization optimization



# Full Product Line

A commercial microwave is one of the most essential pieces of equipment for any restaurant, concession stand, fast food establishment or catering operation. Whether simply heating up soup for a customer's order, cooking entrees or steaming vegetables, a microwave oven will help completing all heating and preparation needs in a timely manner. Choose from light duty for low-volume applications, medium or heavy duty models for more frequent use. We also offer different Wattage options for low- to high-volume applications.

## Heavy Duty 1800 - 2100 W

4 to choose from

Ideal for high-volume kitchens where fast turnaround times are a must. Heavy duty microwaves can quickly reheat and cook large portions of food.



17 L Series



34 L Series

## Medium Duty 1100 - 1400 W

3 to choose from

For high-volume tasks in busy food service and institutional establishments.



34 L Series



34 L Series



34 L Series

## Light Duty 1000 W

5 to choose from

These models are great for fast reheating tasks at concession stands, break rooms, vending locations and other establishments.



34 L Series



34 L Series



25 L Series



25 L Series



25 L Series

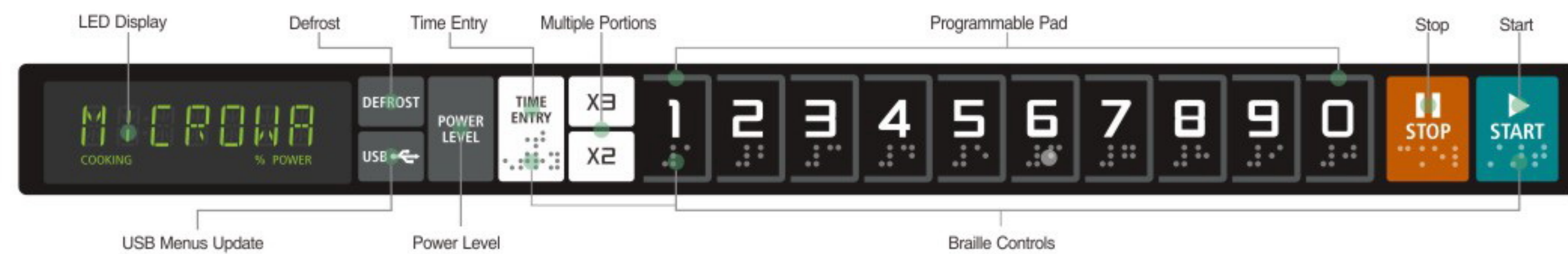


# Midea Commercial Microwave Ovens Heavy Duty 17 L Series - Touch control

2117G1A 2100W  
1817G1A 1800W

## Features and Benefits

- + Suitable for a 6" tall 1/2 Pan with Cover or 13"
- + Fast cooking and reheating with 1800 - 2100 Watts cooking power
- + Double rotating antenna providing efficient energy distribution for reliable heating results
- + Able to withstand the demands of the food service environment with stainless steel cabinet and oven cavity
- + 100 programmable menu items, 3 cooking stages and 11 microwave power levels
- + Stackable installation for increased space availability on counter or working area
- + Removable splatter shield for easy cleaning
- + USB Port for programming ease and oven-to-oven consistency
- + ADA compliant braille controls



## Specifications

- + Cavity: 0.6 cu.ft. /17 L
- + Output power: 1800 - 2100 W
- + Membrane touch control
- + Double magnetrons
- + Stainless steel cabinet and cavity
- + Power supply: 208 V/ 230 V 60 Hz
- + Gross weight: 32 kg (70.5 lbs)
- + Product dimensions (WxDxH):  
420 x 563 x 340 mm (16.5 x 22.2 x 13.4 inches)
- + Box dimensions (WxDxH):  
640 x 507 x 416 mm (25.2 x 20.0 x 16.4 inches)

## USB Upgradable Menu System

For menus customization



## Fast cooking and reheat with 1800 - 2100 Watts of cooking power

**Beef broth**  
Power suggested: 1800 Watt



9 oz. of beef broth can be re-heated at serving temperature in 1 minute.

**Shrimp**  
Power suggested: 2100 Watt



6 oz. of shrimp can be easily cooked in one and a half minutes.

**Salmon steaks**  
Power suggested: 2100 Watt



9 oz. of salmon steak will be cooked in 5 minutes and reheated in 1 minute.

**Scrambled eggs with bacon**  
Power suggested: 1800 Watt



9 oz. of scrambled eggs can be prepared in 3 minutes.





# Midea Commercial Microwave Ovens

## Heavy Duty 34 L Series - Touch control

2134G1A 2100W  
1834G1A 1800W

### Features and Benefits

- + Suitable for a 14" (356 mm) platter.
- + Faster cooking and reheating with 1800 - 2100 Watts of cooking power
- + Double rotating antenna providing efficient energy distribution for reliable heating results
- + Able to withstand the demands of the food service environment with stainless steel cabinet and oven cavity
- + 100 programmable menu items, 3 cooking stages and 5 microwave power levels
- + Removable, cleanable air filter
- + ADA compliant braille controls

### Specifications

- + Cavity: 1.2 cu.ft. / 34 L
- + Output power: 1800 - 2100 W
- + Double magnetrons
- + Membrane touch control
- + Stainless steel cabinet and cavity
- + Power supply: 208 V/ 230 V 60 Hz
- + Gross weight: 34.3 kg (75.6 lbs)
- + Product dimensions (WxDxH):  
574.2 x 528.4 x 367.5 mm (22.6 x 20.8 x 14.5 inches)
- + Box dimensions (WxDxH):  
641 x 559 x 451 mm (25.2 x 22.0 x 18.1 inches)

**1800 - 2100 Watts of cooking power  
and easily cooks large portions**

**Perch fillets**  
Power suggested: 1800 Watt



8 oz. perch fillets can be cooked within 1 minute

**Chicken noodle soup**  
Power suggested: 1800 Watt



9 oz. chicken noodle soup can be cooked within 1 minute

**Beef thawing**  
Power suggested: 2100 Watt,  
20% power level



4 lbs. of beef can be thawed in approx. 12 minutes





# Midea Commercial Microwave Ovens

## Medium Duty 34 L Series - Touch control

1234G1A 1200W  
1134G1A 1100W

### Features and Benefits

- + Large capacity (1.2 cu.ft. / 34 L) accommodates a 14" (356 mm) platter.
- + Faster cooking and reheating with 1100 - 1200 Watts of cooking power
- + Double rotating antenna providing efficient energy distribution for reliable heating results
- + Able to withstand the demands of the food service environment with stainless steel cabinet and oven cavity
- + 100 programmable menu items, 3 cooking stages and 5 microwave power levels
- + Removable, cleanable air filter
- + ADA compliant braille controls

### Specifications

- + Cavity: 1.2 cu.ft. /34 L
- + Output power: 1100 - 1200 W
- + Double magnetrons (1134G1A with single magnetron)
- + Membrane touch control
- + Stainless steel cabinet and cavity
- + Power supply: 120 V 60 Hz
- + Gross weight: 34.3 kg (75.6 lbs)  
1134G1A: 27.8 kg (61.3 lbs)
- + Product dimensions (WxDxH):  
574.2 x 528.4 x 367.5 mm (22.6 x 20.8 x 14.5 inches)
- + Box dimensions (WxDxH):  
641 x 559 x 451 mm (25.2 x 22.0 x 18.1 inches)

**1100 - 1200 Watts of cooking power and easily cooks large portions**

**Cheeseburger (boost heat)**  
Power suggested: 1100 Watt



9 oz. cheeseburger can be reheated within 30 seconds

**Chicken noodle soup**  
Power suggested: 1200 Watt



9 oz. chicken noodle soup can be cooked within one and a half minutes





# Midea Commercial Microwave Ovens

## Medium Duty 34 L Series - Touch control

1434N1A 1400W

### Features and Benefits

- + Large capacity (1.2 cu.ft./ 34 L), accommodates a 14" (356 mm) platter.
- + 1400 Watts of cooking power
- + Quick heating, consistent results
- + Able to withstand the demands of the food service environment with stainless steel cabinet and oven cavity
- + 100 programmable menu items, 3 cooking stages and 5 microwave power levels
- + Grab'n Go handle for reliable use, no moving parts
- + ADA compliant braille controls

### Specifications

- + Cavity : 1.2 cu.ft. / 34 L
- + Output power: 1400 W
- + Single magnetron
- + Membrane touch control
- + Stainless steel cabinet and cavity
- + Power supply: 208 V/ 230 V 60 Hz
- + Gross weight: 20 kg (40.1 lbs)
- + Product dimensions (WxDxH):  
553 x 485 x 343 mm (21.8 x 19.1 x 13.5 inches)
- + Box dimensions (WxDxH):  
628 x 541 x 403 mm (24.7 x 21.3 x 15.9 inches)

**1400 Watts of cooking power  
and easily cooks large portions**

**Ravioli**  
Power suggested: 1400 Watt

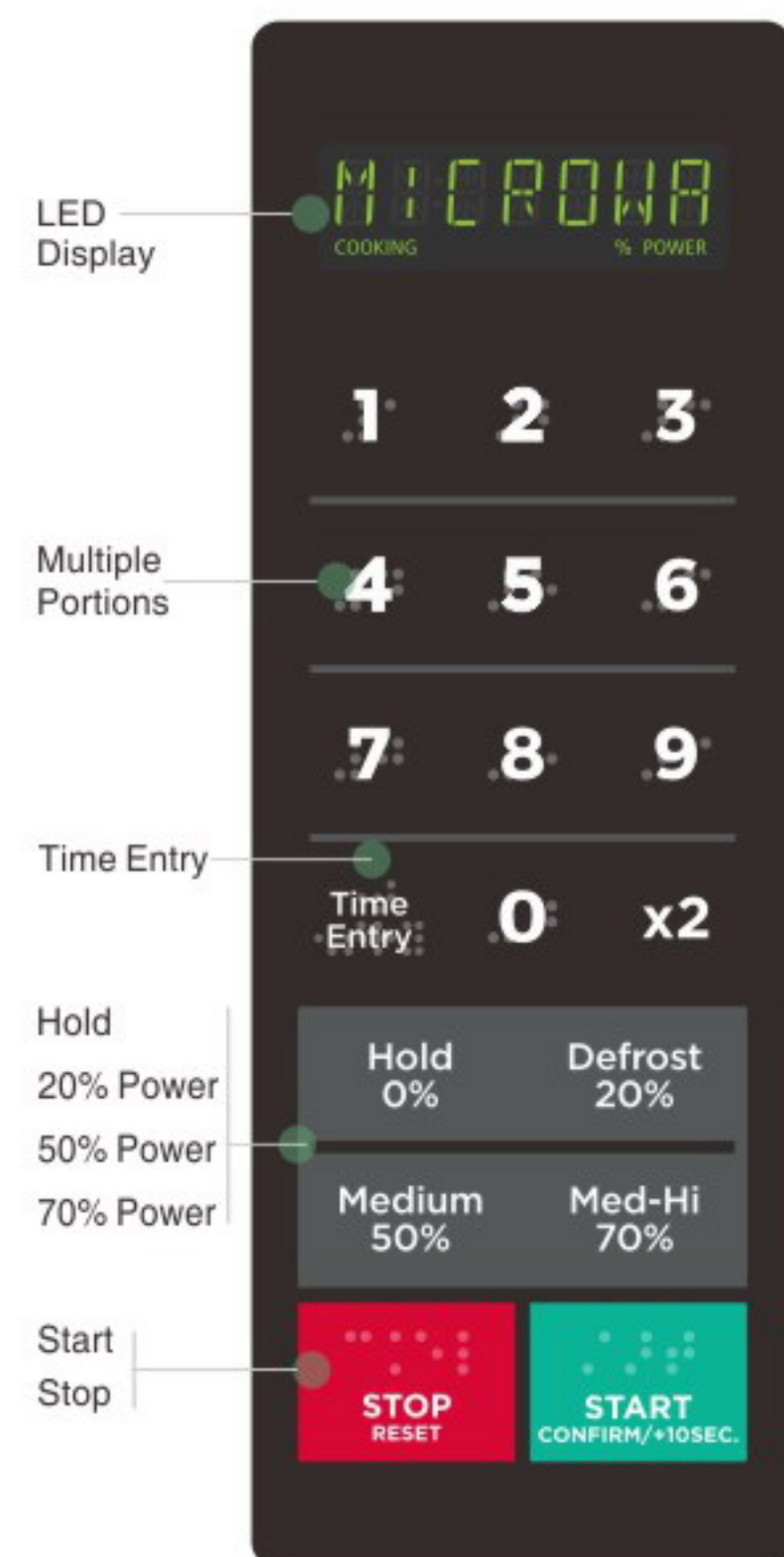


6 oz. ravioli can be prepared  
in 1 minute

**Chicken rice pilaf**  
Power suggested: 1400 Watt



4 oz. chicken rice pilaf can be  
prepared within 20 seconds





# Commercial Microwave ovens

## Medium Duty 34 L Series - Dial control

1434N0A 1400W

### Features and Benefits

- + Large capacity (1.2 cu.ft. / 34 L), accommodates a 14" (356 mm) platter.
- + 1400 Watts of cooking power
- + Quick heating, consistent results
- + Able to withstand the demands of the food service environment with stainless steel cabinet and oven cavity
- + Oven cavity light (incandescent) to enable easy control of dishes cooking status without opening the oven door
- + Stackable installation for increased space availability on counter or working area
- + Easy operation with 6 min Dial Timer and frequently-used menu guide

### Specifications

- + Cavity : 1.2 cu.ft / 34 L
- + Output power: 1400 W
- + Single magnetron
- + Dial control
- + Stainless steel cabinet and cavity
- + Power supply: 208 V/ 230 V 60 Hz
- + Gross weight: 20 kg (40.1 lbs)
- + Product dimensions (WxDxH):  
553 x 485 x 343 mm (21.8 x 19.1 x 13.5 inches)
- + Box dimensions (WxDxH):  
628 x 541 x 403 mm (24.7 x 21.3 x 15.9 Inches)

**1400 Watts of cooking power  
and easily cooks large portions**

**Ravioli**  
Power suggested: 1400 Watt



6 oz. ravioli can be prepared  
in 1 minute

**Chicken rice pilaf**  
Power suggested: 1400 Watt



4 oz. chicken rice pilaf can be  
prepared within 20 seconds





# Midea Commercial Microwave Ovens Light Duty 34 L Series - Touch control

1034N1A 1000 W

## Features and Benefits

- + Large capacity (1.2 cu.ft./ 34 L), accommodates a 14" (356 mm) platter.
- + 1000 Watts of cooking power
- + Quick heating, consistent results
- + Able to withstand the demands of the food service environment with stainless steel cabinet and oven cavity
- + 100 programmable menu items, 3 cooking stages and 5 microwave power levels
- + Grab'n Go handle for reliable use, no moving parts
- + ADA compliant braille controls

## Specifications

- + Cavity : 1.2 cu.ft. / 34 L
- + Output power: 1000 W
- + Single magnetron
- + Membrane touch control
- + Stainless steel cabinet and cavity
- + Power supply: 120 V/ 60 Hz
- + Gross weight: 20 kg (40.1 lbs)
- + Product dimensions (WxDxH):  
553 x 485 x 343 mm (21.8 x 19.1 x 13.5 inches)
- + Box dimensions (WxDxH):  
628 x 541 x 403 mm (24.7 x 21.3 x 15.9 inches)

**1000 Watts of cooking power  
and easily cooks large portions**

**Ravioli**  
Power suggested: 1000 Watt

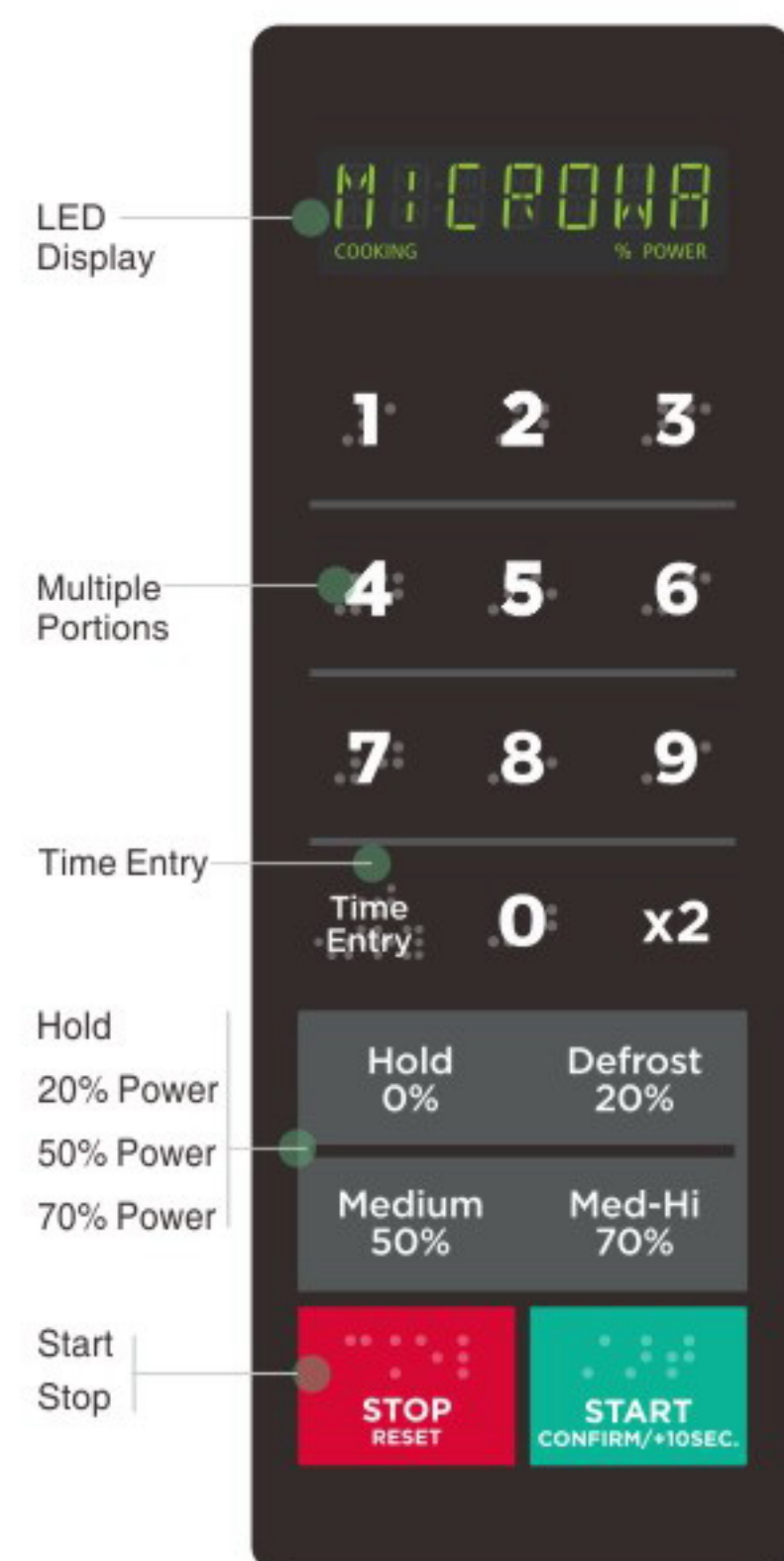


6 oz. ravioli can be prepared  
in one and a half minutes

**Chicken rice pilaf**  
Power suggested: 1000 Watt



4 oz. chicken rice pilaf can be  
prepared within 30 seconds





# Commercial Microwave ovens

## Light Duty 34 L Series - Dial control

1034N0A 1000W

### Features and Benefits

- + Large capacity (1.2 cu.ft. / 34 L), accommodates a 14" (356 mm) platter.
- + 1000 Watts of cooking power
- + Quick heating, consistent results
- + Able to withstand the demands of the food service environment with stainless steel cabinet and oven cavity
- + Oven cavity light (incandescent) to enable easy control of dishes cooking status without opening the oven door
- + Stackable installation for increased space availability on counter or working area
- + Easy operation with 6 min Dial Timer and frequently-used menu guide

### Specifications

- + Cavity : 1.2 cu.ft / 34 L
- + Output power: 1000 W
- + Single magnetron
- + Dial control
- + Stainless steel cabinet and cavity
- + Power supply: 208 V/ 230 V 60 Hz
- + Gross weight: 20 kg (40.1 lbs)
- + Product dimensions (WxDxH): 553 x 485 x 343 mm (21.8 x 19.1 x 13.5 inches)
- + Box dimensions (WxDxH): 628 x 541 x 403 mm (24.7 x 21.3 x 15.9 Inches)

**1000 Watts of cooking power and easily cooks large portions**

**Ravioli**  
Power suggested: 1000 Watt



6 oz. ravioli can be prepared in one and a half minutes

**Chicken rice pilaf**  
Power suggested: 1000 Watt



4 oz. chicken rice pilaf can be prepared within 30 seconds





# Midea Commercial Microwave ovens Light Duty 25 L Series - Touch control

1025F1A 1000W

## Features and Benefits

- + Medium capacity (0.9 cu.ft./ 25 L); accommodates a 12" (305 mm) platter
- + Able to withstand the demands of the food service environment with stainless steel cabinet and oven cavity
- + Maximum cooking time 60:00
- + Removable lamp splatter shield for easy cleaning
- + Grab'n Go handle for reliable use, no moving parts
- + Memory and quick start function
- + ADA compliant braille controls

## Specifications

- + Cavity : 0.9 cu.ft. / 25 L
- + Output power: 1000 W
- + Membrane touch control
- + Single magnetron
- + Stainless steel cabinet and cavity
- + Power supply: 120 V/ 60 Hz
- + Gross weight: 16.5 kg (36.4 lbs)
- + Product dimensions (WxDxH):  
511 x 432 x 311 mm (20.1 x 17.0 x 12.3 inches)
- + Box dimensions (WxDxH):  
581 x 478 x 380 mm (22.9 x 18.8 x 15.0 inches)

**1000 Watts of cooking power  
quick heating, consistent results**

**Lasagna**  
Power suggested: 1000 Watt



One ½ Pan of lasagna can be cooked within 20 minutes and preheated in 3 minutes

**Nachos**  
Power suggested: 1000 Watt



10 oz. nachos can be reheated within 2 minutes





# Midea Commercial Microwave ovens Light Duty 25 L Series – Touch with Dial control

1025F2A 1000W

## Features and Benefits

- + Medium capacity (0.9 cu.ft./ 25 L); accommodates a 12" (305 mm) platter
- + Able to withstand the demands of the food service environment with stainless steel cabinet and oven cavity
- + Maximum cooking time 60:00
- + Removable lamp splatter shield for easy cleaning
- + Grab'n Go handle for reliable use, no moving parts
- + Easy operation with 60 min Dial Timer and frequently-used menu guide
- + Memory and quick start function
- + ADA compliant braille controls

## Specifications

- + Cavity : 0.9 cu.ft. / 25 L
- + Output power: 1000 W
- + Membrane touch with dial control
- + Single magnetron
- + Stainless steel cabinet and cavity
- + Power supply: 120 V/ 60 Hz
- + Gross weight: 16.5 kg (36.4 lbs)
- + Product dimensions (WxDxH):  
511 x 432 x 311 mm (20.1 x 17.0 x 12.3 inches)
- + Box dimensions (WxDxH):  
581 x 478 x 380 mm (22.9 x 18.8 x 15.0 inches)

**1000 Watts of cooking power  
quick heating, consistent results**

**Lasagna**  
Power suggested: 1000 Watt



One ½ Pan of lasagna can be cooked within 20 minutes and preheated in 3 minutes

**Nachos**  
Power suggested: 1000 Watt



10 oz. nachos can be reheated within 2 minutes

**Cheeseburger (boost heat)**  
Power suggested: 1000 Watt

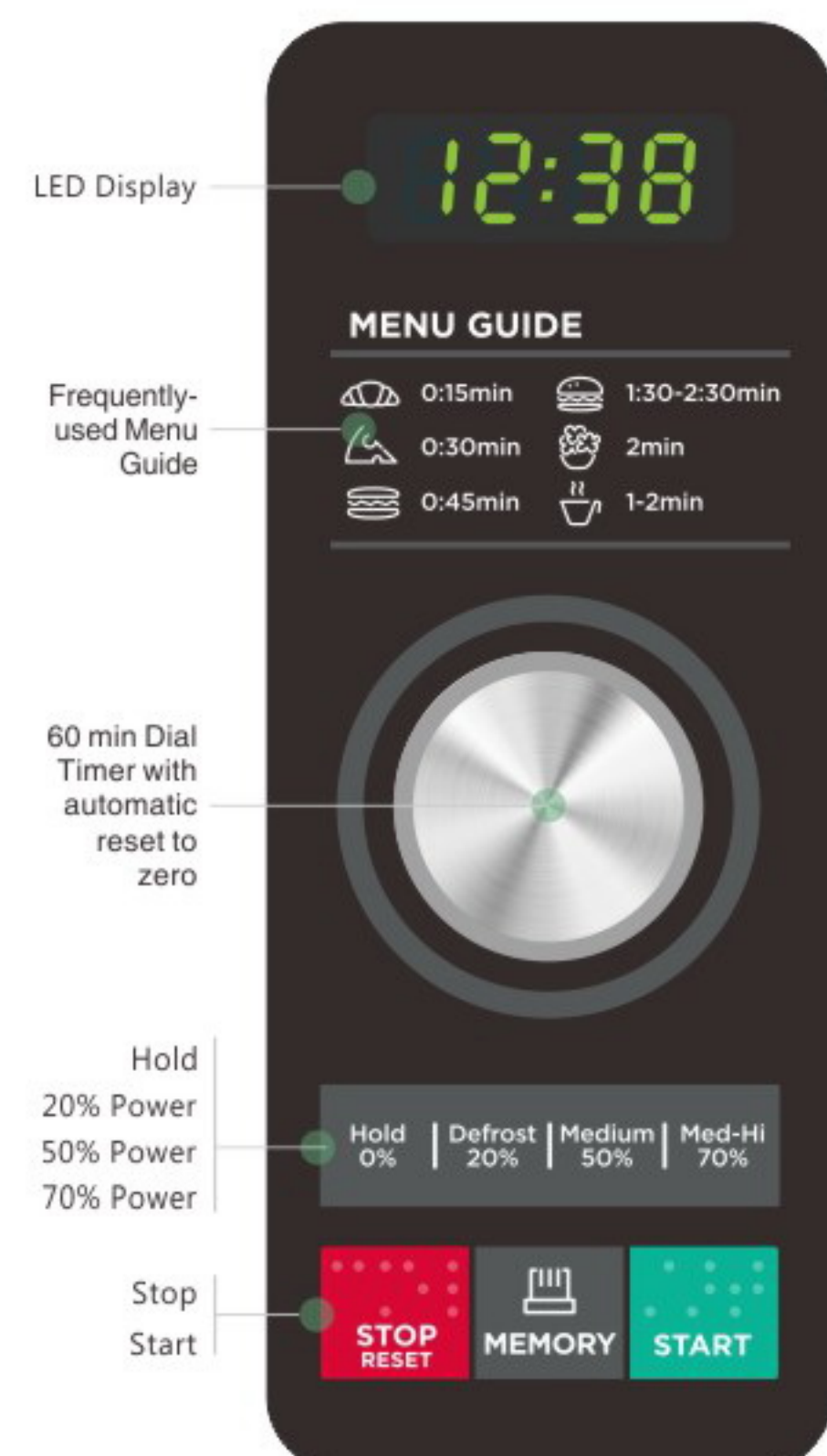


9 oz. cheeseburger can be reheated within 30 seconds

**Sandwich**  
Power suggested: 1000 Watt



8 oz. sandwich can be reheated within 1 minute





# Midea Commercial Microwave ovens

## Light Duty 25 L Series - Dial control

1025F0A 1000W

### Features and Benefits

- + Medium capacity (0.9 cu.ft./ 25 L), accommodates a 12" (305 mm) platter
- + Able to withstand the demands of the food service environment with stainless steel cabinet and oven cavity
- + Removable lamp splatter shield for easy cleaning
- + Oven cavity light (incandescent) to enable easy control of dishes cooking status without opening the oven door
- + Grab'n Go handle for reliable use, no moving parts
- + Easy to control with 6 min Dial Timer and frequently-used menu guide

### Specifications

- + Cavity : 0.9 cu.ft. / 25 L
- + Output power: 1000 W
- + Dial control
- + Single magnetron
- + Stainless steel cabinet and cavity
- + Power supply: 120 V/ 60 Hz
- + Gross weight: 16.5 kg (36.4 lbs)
- + Product dimensions (WxDxH): 511 x 432 x 311 mm (20.1 x 17.0 x 12.3 Inches)
- + Box dimensions (WxDxH): 581 x 478 x 380mm (22.9 x 18.8 x 15.0 inches)

**1000 Watts of cooking power**  
quick heating, consistent results

**Cheeseburger (boost heat)**  
Power suggested: 1000 Watt

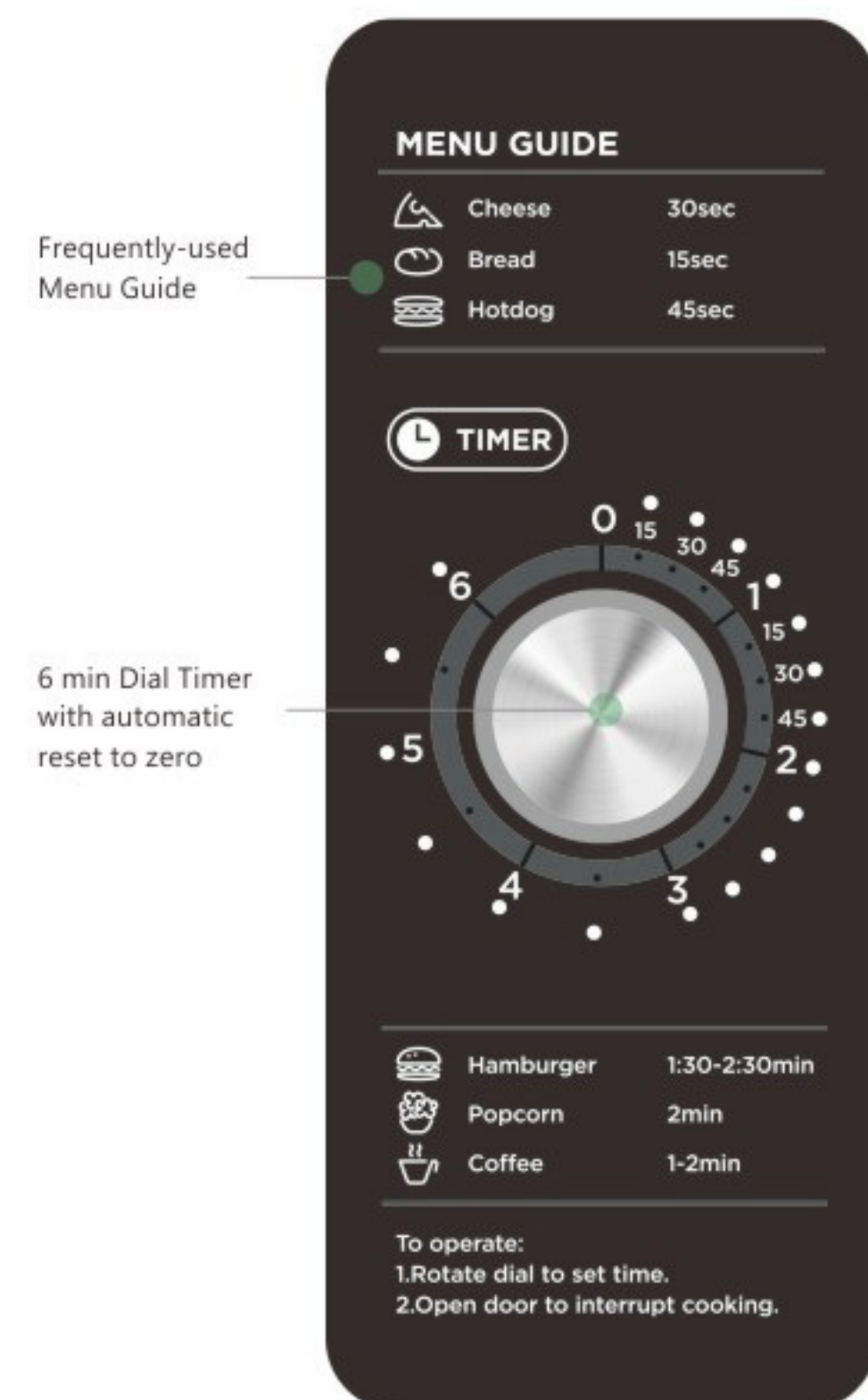


9 oz. cheeseburger can be reheated within 30 seconds

**Sandwich**  
Power suggested: 1000 Watt



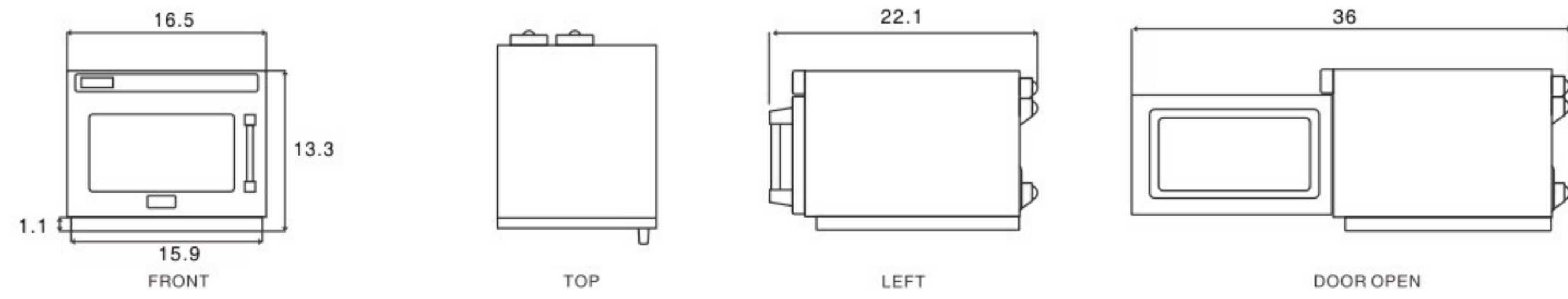
8 oz. sandwich can be reheated within 1 minute



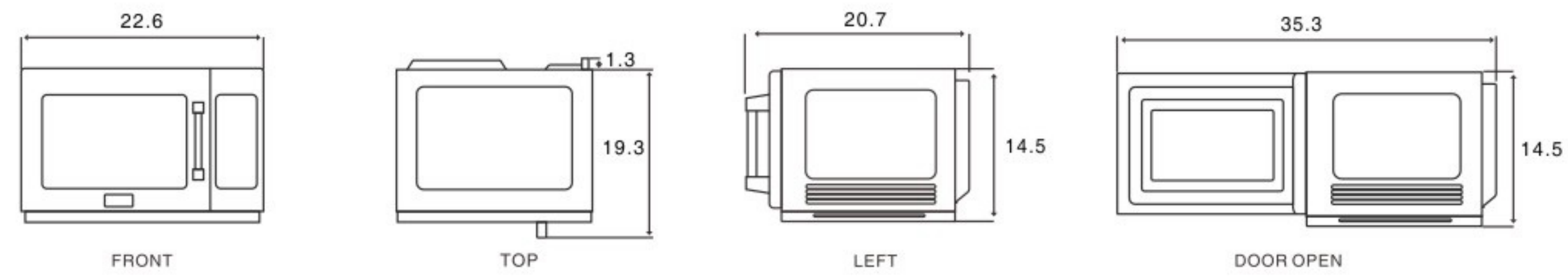


# Assembly

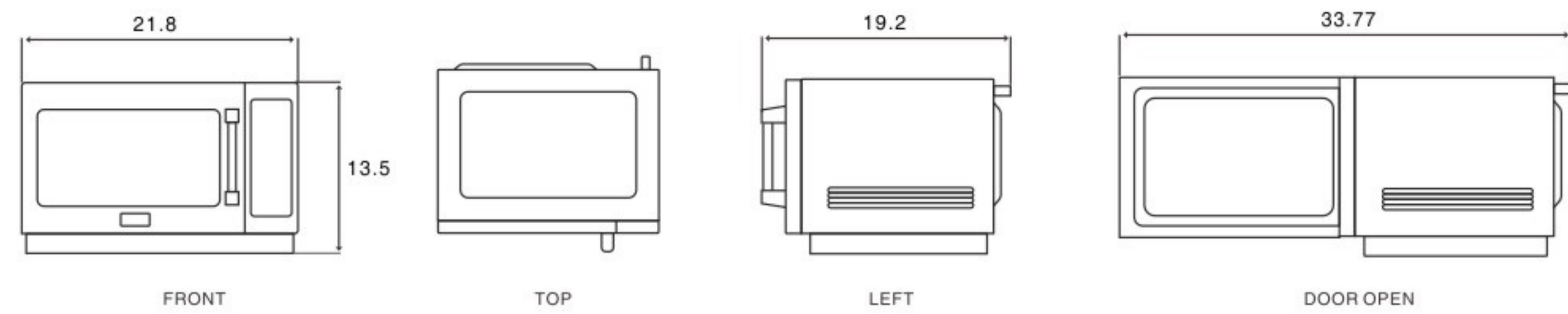
\* all measurements in inch



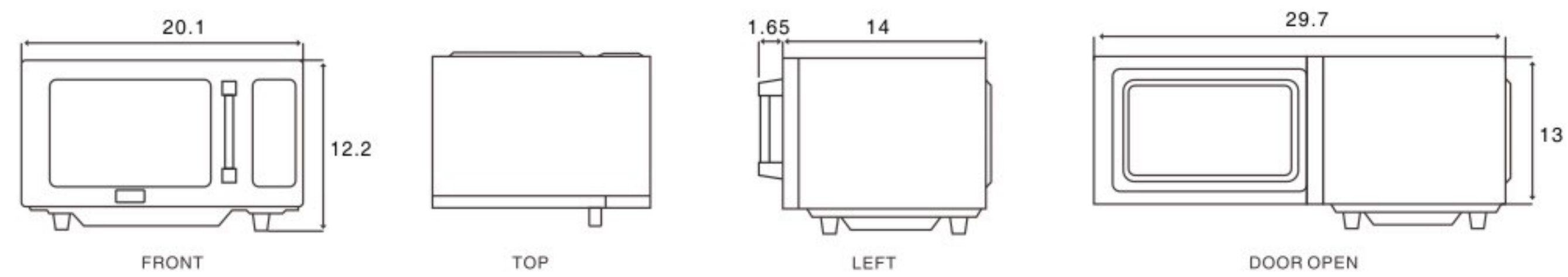
2117G1A / 1817G1A



2134G1A / 1834G1A / 1234G1A / 1134G1A



1434N1A / 1434N0A / 1034N1A / 1034N0A



1025F1A / 1025F2A / 1025F0A



**Gino Iacovella**  
 Director of Business Development  
 Commercial Kitchen Appliance Division  
 5 Sylvan Way | Parsippany, NJ  
 Gino.Iacovella@midea.com  
 C: +1-201-220-2171

Guangdong Midea Kitchen Appliances Manufacturing Co., Ltd.  
 No.6, Yong An Road, Beijiao, Shunde, Foshan, Guangdong, China  
<http://www.midea.com/global/>