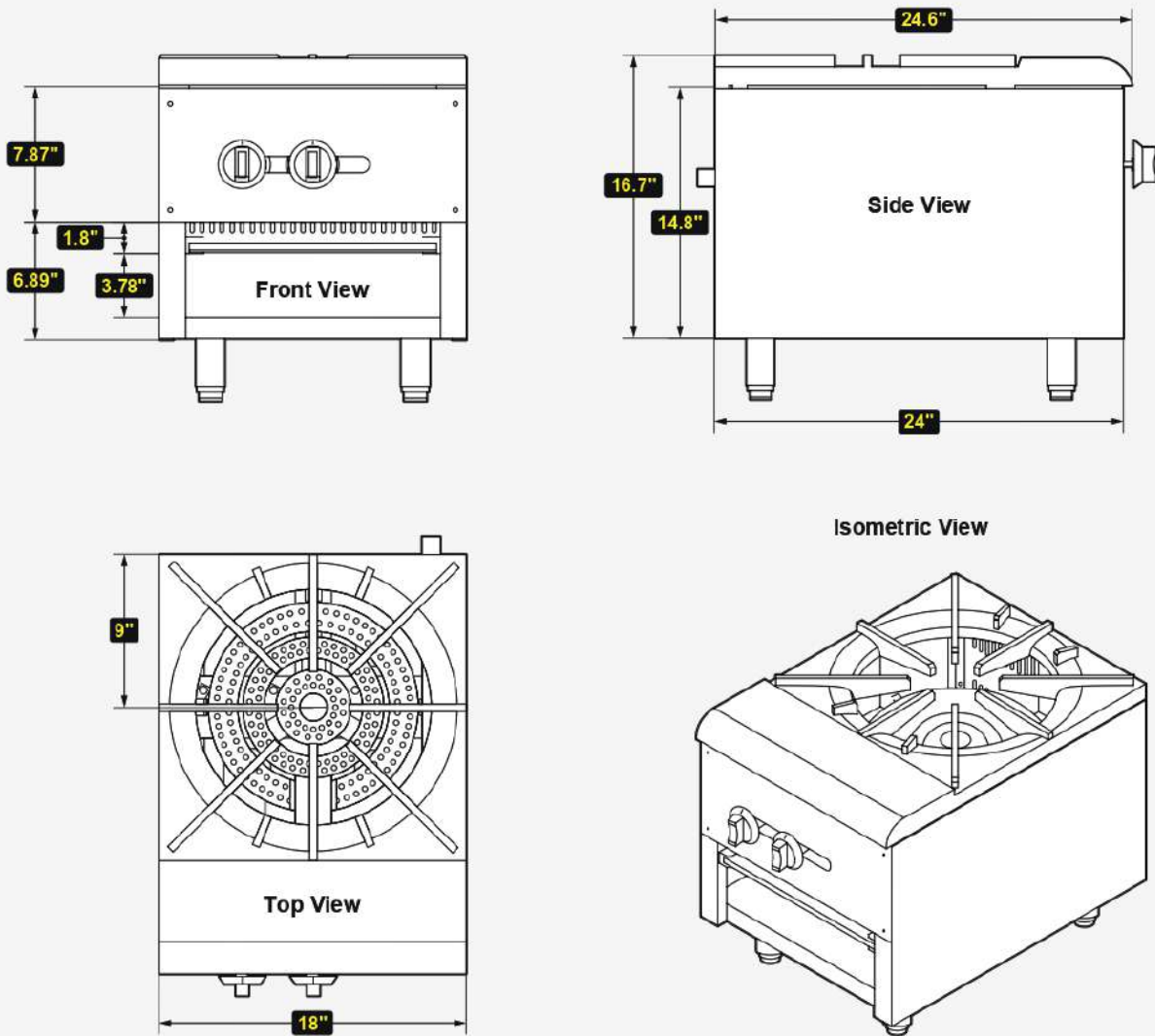


SSSP-1 Stock Pots



Item # _____
 Project : _____
 Qty : _____



Technical Information:

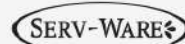
MODEL #	DESCRIPTION	DIMENSIONS (W x D x H)	WEIGHT/LBS. (Shipping)
SSSP-1	1 Burner	18" W x 24.6" D x 20.4" H	135 lbs.

CONSTRUCTION
Dual ring cast iron burner with heavy duty cast iron grate. Stainless steel front and side panels with adjustable heavy duty legs. Zinc alloy knob with chrome coating.

COOKING	
Gas Line	3/4"
W.C. for Natural Gas	4 in.
BTU for Natural Gas	110,000
W.C. for LP	10 in.
BTU for LP	85,000



Prop. 65 Warning for California Residents
WARNING: This product may contain chemicals known to the State of California to cause cancer, birth defects, or other reproductive harm.



Copyright © 2023 Serv-Ware Products Inc.

Phone: (800) 768-5953
 Fax: (800) 976-1299

www.servware.com