

Model 5AG-S

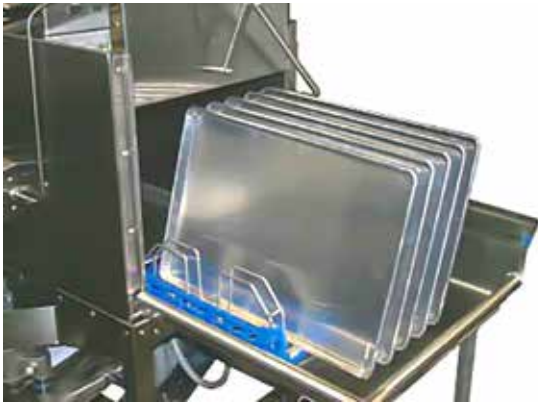


High Capacity

Greater door clearance...washes taller wares

STANDARD FEATURES

- Double duty rack model designed to multiply your dishwashing capabilities
- Large 20.5" door opening
- Air-gap fill
- Dual screens protect the pumps
- Washes 74 racks per hour with two powerful 1.5 HP pumps



Optional Pan Rack

Wash sheet pans horizontally

American Dish Service

900 Blake Street | Edwardsville, Kansas, 66111
Phone: 913.422.3700 | Toll-Free: 800.922.2178 | Fax: 913.422.6630
orders@americandish.com | americandish.com

For detailed specifications, go to
www.americandish.com

Model 5AG-S

High Capacity

Standard Features

- Cleans 74 racks per hour
- Water consumption is 1.6 gallons per rack
- Great door clearance at 20.5"
- Top mount controls with auto start
- Stainless steel air gap
- Quick release spray arms
- Two quick service 1.5 HP pumps
- Door safety switch and external prime switches
- Delime switch located in the control panel

Model 5AG-S Specifications

U.S. REGISTERED PATENTS

Model 5AG-S

Standard 90 second timer, available 120 & 150 second timer

| | | | |
|----------------------------|----|-----|-----|
| Rated Capacity (Racks/Hr.) | 74 | 56 | 46 |
| Wash Time (Sec.) | 50 | 60 | 75 |
| Rinse Time (Sec.) | 30 | 45 | 60 |
| Dwell (Sec.) | 15 | 15 | 15 |
| Total Cycle Time (Sec.) | 90 | 120 | 150 |

Water Temperature (Supply) 120° F Min. (49° C Min)

Water Consumption (Per Cycle) 3.2 Gal. (12.1 Liter)

Motor (2) 1.5 HP (1.125 Kw)

Electrical Ratings 115 Volts (Single Phase)

Connect to two Supply Sources using 10-12 AWG copper wires. Circuit Protection: 20 AMP Circuit Breaker or Fuse with a 20 AMP Rating. **OR**

Connect to Supply Source using 8 AWG copper wires suitable for at least 167° F (75° C). Circuit Protection: 40 AMP Circuit Breaker or Fuse with a 40 AQMP Rating.

Rack Size (2) 19.75" x 19.75" (50.2 cm x 50.2 cm)

Door Clearance 20.5" x 21" (52 cm x 53 cm)

Water Inlet. 0.75" FPT

Drain (Scrap Trap) 2.0" Pipe

Height (Door Open) 79.875" (202.9 cm)

Height (Door Closed) 71.25" (180.9 cm)

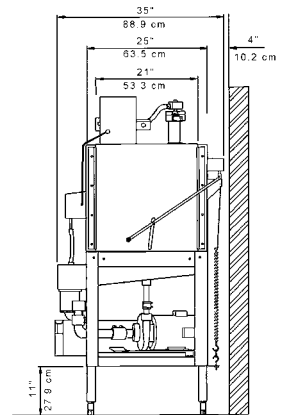
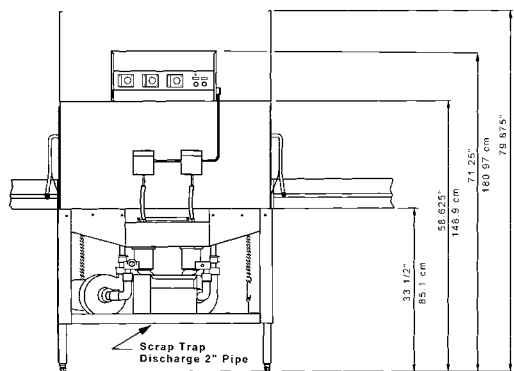
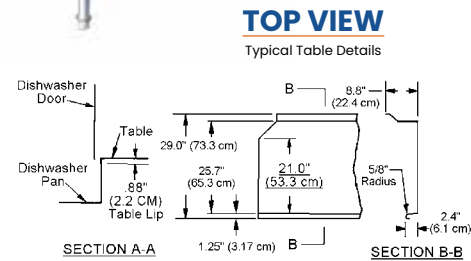
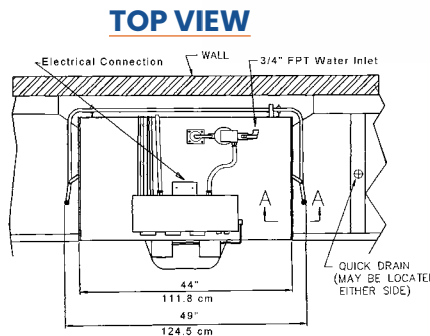
Width (Overall) 49" (124.5 cm)

Width (Table to Table) 44" (111.8 cm)

Depth (Overall) 34" (86.4 cm)

Shipping Weight 446 lb. (202.3 kg)

Shipping Dimensions 60" L x 36" W x 78" H
(152.4 cm x 91.4 cm x 198.1 cm)



FRONT VIEW

SIDE VIEW

CAUTION:

Electrical and Plumbing connections must be made by a qualified Service Person who will comply with all available federal, state, and local Health, Electrical, Plumbing, and Safety Codes.

Note:

Manufacturer reserves the right to modify these specifications in compliance with regulatory agencies and manufacturing expediency.

Effective 2/2023



Warning: Cancer and Reproductive Harm – www.P65Warnings.ca.gov



American Dish Service
Manufacturers of Ware Washing Equipment

an Ali Group Company



The Spirit of Excellence

American Dish Service

900 Blake Street | Edwardsville, Kansas, 66111

913.422.3700 | Toll-Free: 800.922.2178 | Fax: 913.422.6630

orders@americandish.com | americandish.com