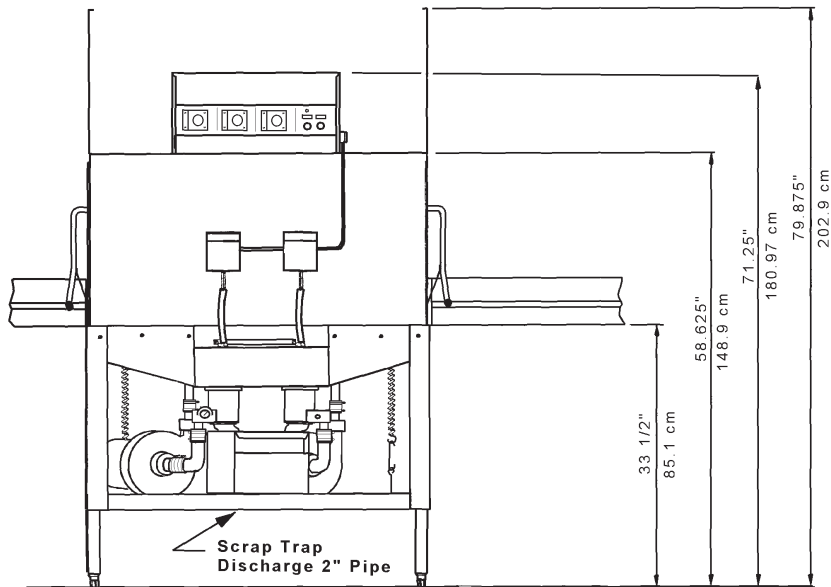
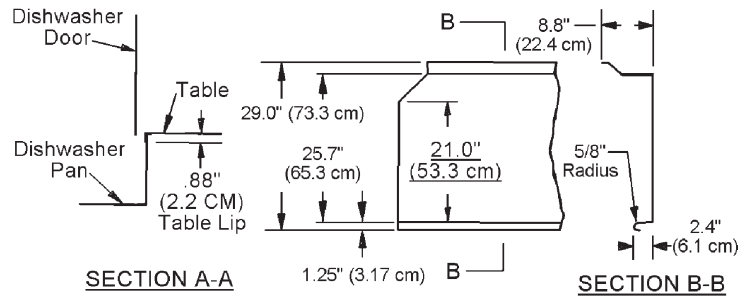


**TOP VIEW**

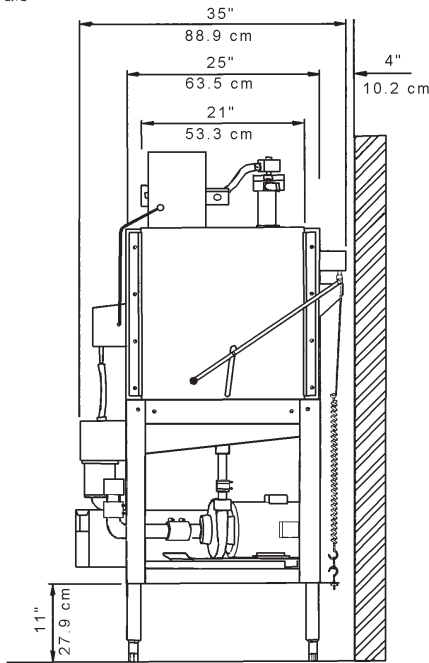


**FRONT VIEW**



**TOP VIEW**  
TYPICAL TABLE DETAILS

**CAUTION:**  
Electrical and plumbing connections should be made by a qualified Service Person who will comply with all available federal, state, and local Health, Electrical, Plumbing, and Safety codes.



**SIDE VIEW**



**Model 5AG-S**  
**Specifications**

	Models		
	5AGS	5S	5AHS
<b>RATED CAPACITY (Racks Per Hour)</b>	74	56	46
<b>WASH TIME (Sec.)</b>	45	60	75
<b>RINSE TIME (Sec.)</b>	30	45	60
<b>DWELL (Sec.)</b>	15	15	15
<b>TOTAL CYCLE TIME (Sec.)</b>	90	120	150
<b>WASH TANK CAPACITY (Min.)</b>	3.2 Gallons 12.1 Liters		
<b>WATER TEMPERATURE</b>	120 Deg. F Min. 49 Deg. C Min.		
<b>WATER CONSUMPTION</b>	3.2 Gallons Per Cycle 12.1 Liters Per Cycle		
<b>MOTOR (2)</b>	1.5 HP 1.125 KW		
<b>ELECTRICAL RATINGS</b>	115 Volts Single Phase 26 Amps		
Connect to two Supply Sources Using 12-10 AWG Copper Wire. Circuit Protection: 20 Amp Circuit Breaker or Fuse with a 20 Amp Rating.			
OR			
Connect to Single Supply Source Using 8-6 AWG Copper Wire suitable for at least 75 Deg. C (187 Deg. F). Circuit Protection: 40 Amp Circuit Breaker or Fuse with a 40 Amp Rating.			
<b>RACK SIZE (2)</b>	19 3/4" x 19 3/4" 50.2 x 50.2 cm		
<b>DOOR CLEARANCE</b>	20 1/2" x 21" 52.07 x 53 cm		
<b>WATER INLET</b>	3/4" FPT		
<b>DRAIN (Scrap Trap)</b>	2" Pipe		
<b>HEIGHT (Doors Open)</b>	79.875"		
<b>HEIGHT (Doors Closed)</b>	71.25"		
<b>WIDTH (Overall)</b>	49"		
<b>DEPTH (Overall)</b>	124.5 cm		
	34"		
<b>SHIPPING WEIGHT</b>	86.4 cm 408 lbs.		
<b>SHIPPING VOLUME (Uncrated)</b>	185 kg 64.16 cu ft. 1.82 cu m		

\*Manufacturer reserves the right to modify these specifications in compliance with regulatory agencies and manufacturing expediency