

EFFECTIVE: October 2019

American Dish Service

ADS UPRIGHT DISHWASHER

MODEL: AF/AFC 3D S



PARTS MANUAL

900 Blake Street
Edwardsville, Kansas 66111
(913)422-3700

© 10/19

American Dish Service

The **American Dish Service** part numbers contained in this publication are replacement parts for equipment listed with governmental and regulatory agencies and are specified to maintain the regulatory mark and certification. These parts must only be replaced by those who are trained in the operation and service of commercial dishmachines. Aftermarket parts or modified parts are not compliant or listed with the standards of governmental and regulatory agencies; aftermarket parts are not authorized by ADS for replacement repairs. ADS will not be responsible for any liability if parts are used in the repair of the machine that are not ADS-specified, by those installing non-certified replacement parts or attempts to change the machine's cycle or operation other than as designed and certified. **Read the warnings and cautions provided below before working on or replacing parts on any ADS equipment.**



DANGER

The installation of electrical parts contained in this publication require the following precautions:

The electrical power supplied to this machine is an imminent hazard to life that could result in severe bodily injury or death if not properly installed or connected correctly. When working in the control box or on electrical parts, always disconnect power and perform the appropriate lock-out/tag-out procedure before servicing. Replace the cover to the control box and other protective covers when finished with servicing this equipment before returning the machine to normal operation.

LOOSE ELECTRICAL CONNECTIONS: Damage to the equipment can occur if the following precautions are not observed. Before connecting power to the machine, check all electrical terminals in the control box. Screws can loosen in transit. Loose connections on high amp load terminals such as the pump motor and tank heaters will cause wire burning and component damage during operation and will not be covered under ADS warranty.

"CLEAN CIRCUIT" means the electrical circuit breaker for the dishmachine supplies no other outlets, machines, or lights. GFCI outlets are not recommended for commercial dishmachines; ADS recommends that a single-rack machine be installed with the wire connection (hard-wired) directly from the circuit breaker. All high temp and conveyor equipment must be hard wired. If a plug and socket are used to provide electrical power to a dishmachine in a commercial kitchen, then according to electrical code it must be a GFCI, but not all GFCIs are the same. They must be rated for the Amp draw for the designed circuit.

For Reference: The NEC Article 210.8 regarding GFCI Protection (B) Other Than Dwelling Units (2) Commercial and Institutional Kitchens. All 15 and 20A, 125V receptacles installed in kitchens, even those that do not supply the countertop surface, must be GFCI protected.



WARNING

The chemical feeders and controls contained in this publication require the following precautions:

READ Manufacturer's Manual before Using this Product. For your safety read and observe all warnings in these instructions. While performing installation of parts described in this booklet, wear approved Personal Protective Equipment, including chemically resistant gloves and Safety Eye-Wear.

CHEMICALS: There are potentially hazardous situations when working with industrial cleaning chemicals for dishmachines. See chemical manufacturer's safe practices and SDS or MSDS sheets for handling and installing chemicals and supply containers.

Chemicals can damage or corrode plumbing and stainless parts of the dishmachine. Do not run chemical lines over controls or plumbing. Always secure chemical lines and check regularly for leaks. **If not properly handled, chemicals can cause serious bodily injury. In the event of chemical contact to skin or eyes; wash immediately with fresh water and seek medical attention.**

DE-LIMING THE MACHINE: Because of potential hazards resulting from the combination of chlorine with acid solution, only authorized trained individuals must be allowed to de-lime a commercial dishmachine.

CONTAINERS: The ADS chemical delivery system is designed for 5 gallon pails of industrial low-energy chemical products. Always use chemical resistant safety gloves and safety goggles (indirect-vented or non-vented) when changing chemical buckets. Immediately report spills and refer to your chemical suppliers SDS safety data sheet or MSDS material safety data sheet for information if chemical comes in contact with skin or eyes.

Any modifications to the chemical delivery system for smaller containers must include Closed Loop Chemical Containers (spill proof bottles) in a secured racking system. It is the responsibility of the user of the machine to purchase chemicals in spill proof containers. **FAILURE CAN RESULT IN SERIOUS INJURY.** Never place chemicals in open containers or containers that can be easily tipped over when moving or changing product. Failure to do so will void your ADS warranty.

Chemical supplies must be kept in closed delivery containers to avoid spills or contamination. Do not place chemical solutions in open containers or containers that can be easily tipped over in moving or changing.

Do not open the doors while the machine is in operation. Doing so could result in serious bodily injury from spraying hot water and chemicals.



CAUTION

The door lever arm parts in this publication are installed under spring tension and caution is needed whenever parts are changed. Wear safety glasses when working on the doors and lever. Care should be taken when moving, installing, or replacing any door lever arm parts. Use the ADS lever arm tool to unload the door spring during replacement or adjustment. The spring tension suddenly released can result in pinch or blunt trauma, and puncture wounds. If a wound occurs from the release of spring tension, wash the wound area immediately because of the soils that can accumulate on the metal parts and seek medical attention.

NOTICE

BEFORE YOU BEGIN: American Dish Service provides this information as a service to our customers. **Keep all instructions for future reference.** ADS reserves the right to alter or update this information at any time. Should you desire to make sure that you have the most up-to-date information, we would direct you to the appropriate document on our web site: www.americandish.com. **It is your obligation as the customer to ensure that the replacement parts for the machine are installed safely and properly, and when completed, the machine is left in proper and safe working order.** Electrical, Plumbing, and Chemical hookup must be performed by a qualified professional who will ensure that the equipment is installed in accordance with all applicable Codes, Ordinances, and Safety requirements. Failure to follow the installation instructions will void the warranty. **ADS assumes no liability or control over the installation of the equipment or replacement parts. Product failure due to improper installation is not covered under the ADS Warranty.**

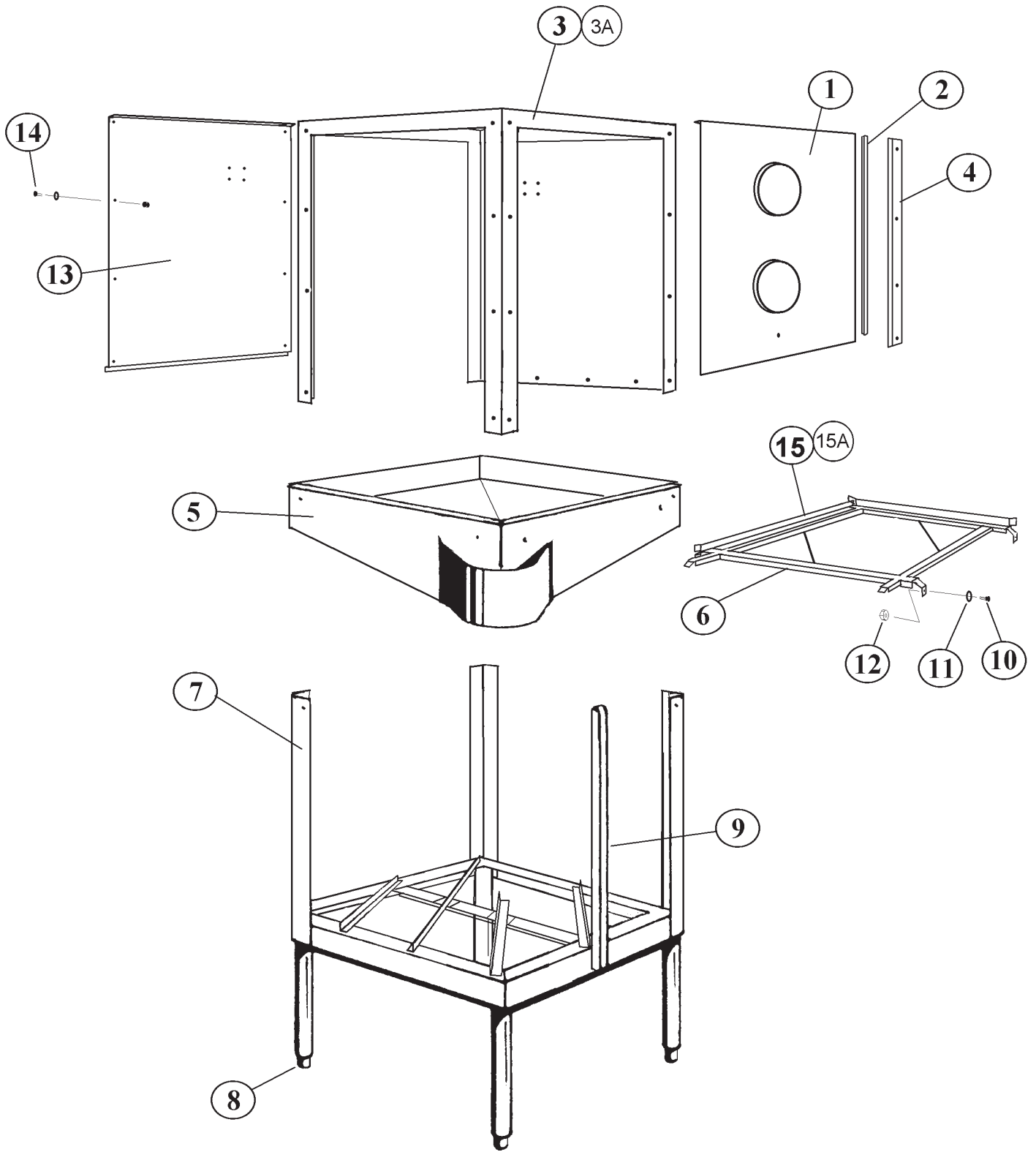
Plumbing parts:

When working on the water inlet manifold, first relieve the water line pressure by turning off the water supply to the machine then energize the machine's fill valve. By doing this the manifold will empty of water. Turn off the electrical power and lock out/tag out the machine. It will then be safe to open the plumbing inlet manifold.

TANKLESS WATER HEATERS have shown to be problematic for commercial dishmachines. It has been the experience of ADS that tankless supply systems require multiple units plumbed in sequence with a recirculation loop to achieve proper pressure and temperature.

Check with the tankless water heater manufacturer, they may recommend a storage tank to guarantee proper flow and line pressure to the machine. Failure to provide adequate water quantity, pressure and temperature to the machine will cause the machine to function improperly and is not the responsibility of ADS. Improperly installing ADS equipment or parts in this manner could void the warranty. All costs associated with providing an adequate water supply to the machine is the sole responsibility of the user.

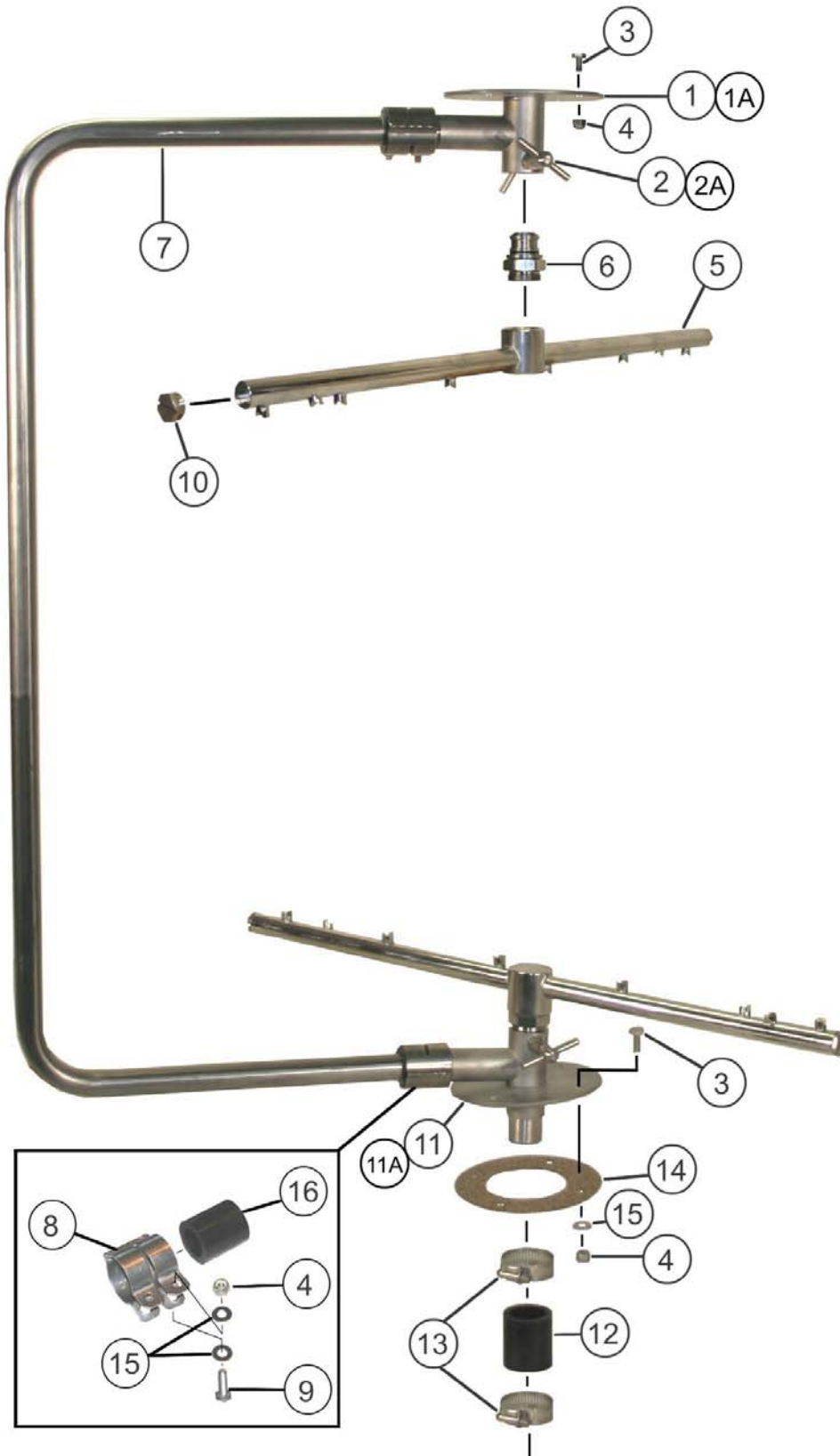
Drain replacement parts should not be reduced in size, all drain lines should remain the same size as it exits the dishmachine or larger. If you have questions, call 800-922-2178 or visit our website at www.AmericanDish.com



061-1800 Cabinet Assembly
AF/AFC 3D S

American Dish Service

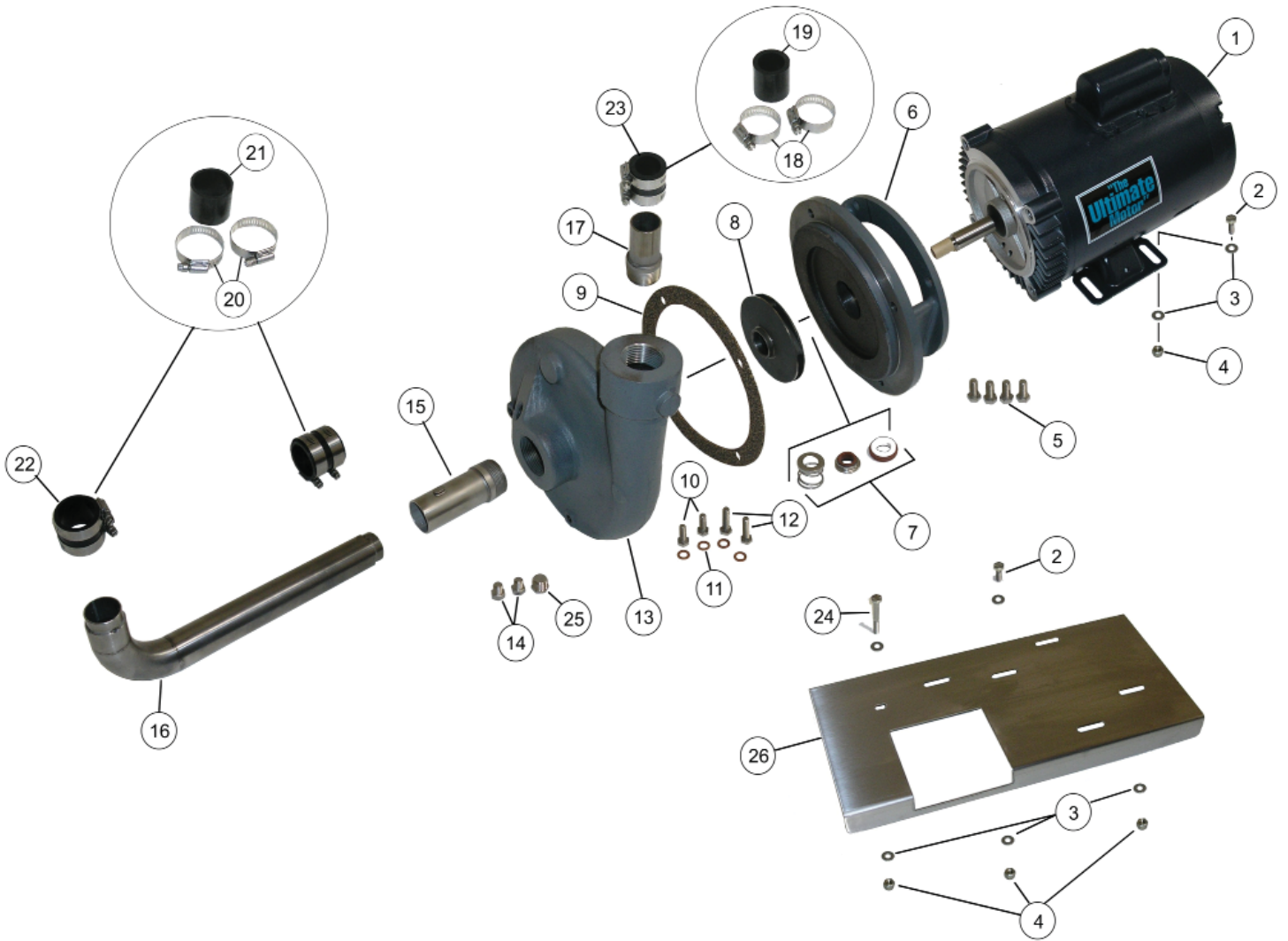
Ref. No.	Part No.	No. Req.	Description
1	087-6116	2	Door W/Door Strips (2 Door Up)
2	083-6108	4	Door Strip, Clear
3	085-6197	1	Hood Weldment
3A	085-6423	Opt	Hood Weldment, 3 Door Up
4	087-6114	4	Door Guide, SS
5	085-6196	1	Pan Weldment
6	085-6146	1	Tray Track Weldment, Less Conversion Bar
7	085-6195	1	Frame Weldment
8	099-1003	4	Bullet Feet, 1 ¼"
9	087-6326	1	Sump Support
10	098-1423	16	Bolt, ¼-20 x ½" HH SS
11	098-2416	42	Washer, SS, ¼"
12	098-2507	48	Locknut ¼-20, SS, W/Nylon Insert
13	087-6115	1	Door, Dummy
14	098-1414	28	Bolt, ¼-20 x ½" Truss Head SS
15	086-6638	1	Tray Track Conversion Bar
15A	086-6683	Opt	Tray Track conversion Bar, 3 Door Up
N/S	098-1436	2	Bolt, ¼-20 x 1 1/8" TH SS
N/S	384-6118	2	Bushing, ½" (Dowel)
N/S	089-9096	1	Scrap Accumulator, Less Tray and Lid
N/S	089-9090	1	Scrap Accumulator Cover
N/S	089-9078	1	Scrap Accumulator Tray
N/S	292-1028	1	No-Hub Connector, 2" Pipe to Pipe
N/S	051-8001	Rep	Scrap Accumulator, Complete
N/S	087-6119	3	Door W/Door Strips (3 Door Up)



062-1700 Spray System Assembly
AF/AFC 3D S

American Dish Service

Ref. No.	Part No.	No. Req.	Description
1	085-6626	1	Upper Spray Base, SS, Bayonet Type
1A	085-6628	Opt.	Upper Spray Base, SS, Thumbscrew Type
2	099-1028	4	Bayonet Fitting
2A	098-1583	Opt.	Thumb Screws 5/16-18 x 5/8" SS
3	098-1426	4	Bolt, ¼-20 x ¾" HH SS
4	098-2507	8	Locknut, ¼-20 SS, W/ Nylon Insert
5	081-6211	2	Spray Arm Assembly, AF/AFC3D-S
6	081-6217	2	Spray Arm Bearing Assembly, W/ O-Ring
7	087-6226	1	Upper Arm Supply Tube (Manifold)
8	081-6501	2	Clamp Assembly, Inside Manifold (Incl. Bolts & Nuts)
9	098-1445	4	Bolt, ¼-20 x 1" HH SS
10	084-6211	4	Spray Arm End Plug, SS
11	085-6625	1	Lower Spray Base, SS, Bayonet Type
11A	085-6627	Opt.	Lower Spray Base, SS, Thumbscrew Type
12	093-1040	1	Sleeve, Discharge Tube
13	098-9037	2	Clamp, Discharge Tube sleeve
14	089-6201	1	Gasket, Spray Base
15	098-2416	4	Washer, ¼", SS
16	093-1041	2	Sleeve, Inside Manifold Tube
17	098-1426	4	Bolt, ¼-20 x ¾" HH SS
N/S	089-6310	Rep	O-Ring, Spray Arm Bearing

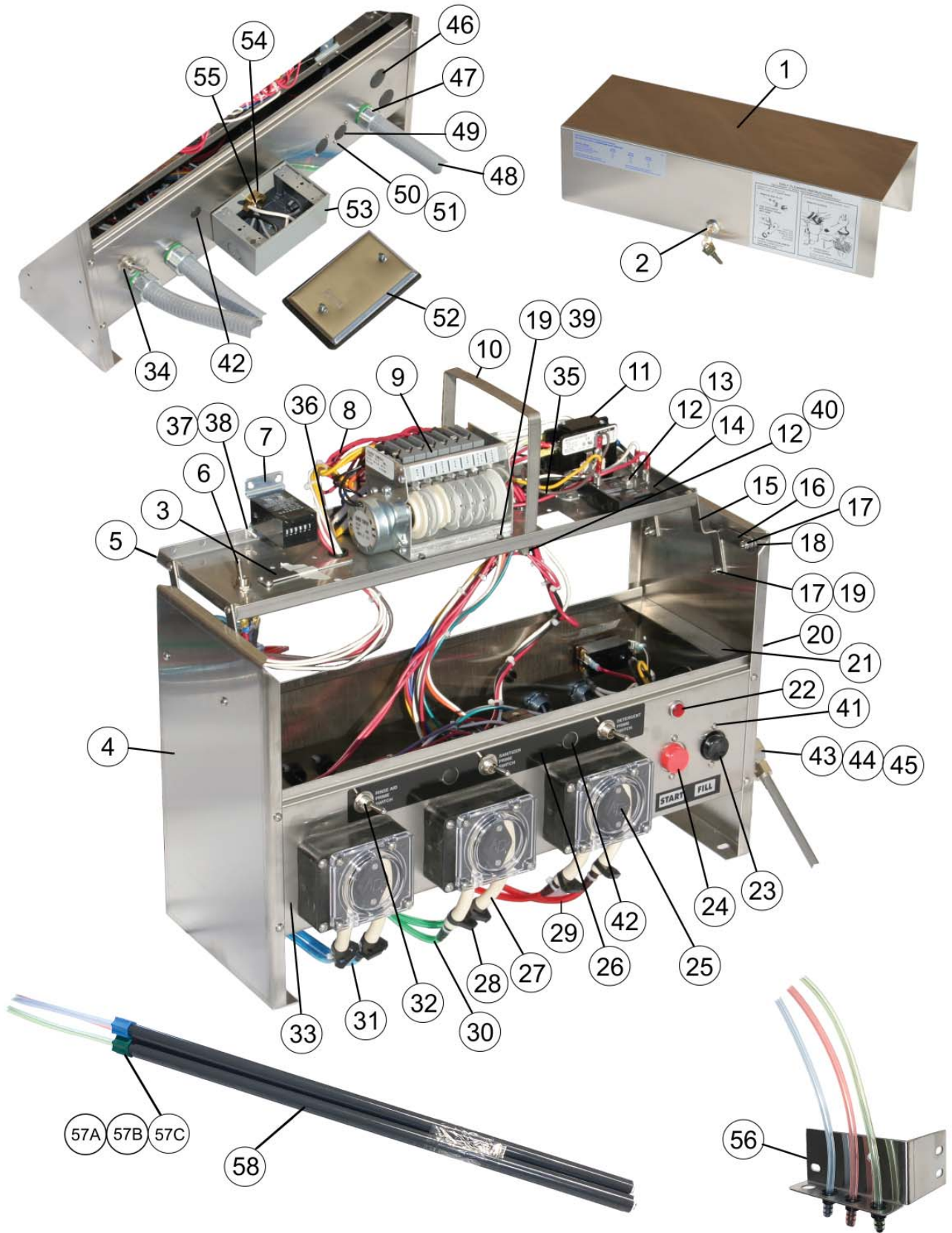


063-2000

Recirculating Pump Assembly
AF/AFC 3D S

American Dish Service

Ref. No.	Part No.	No. Req.	Description
1	091-1001	1	Motor, Wash Pump 1 1/2" HP
2	098-1426	2	Bolt, 1/4-20 X 3/4" HH SS
3	098-2416	6	Washer, 1/4" Flat SS
4	098-2507	3	Nut, Lock, 1/4-20 W/ Nylon Insert
5	098-1607	4	Bolt, 3/8-16 X 7/8" HH SS
6	082-6301	1	Rear Housing, Water Pump
7	092-2001	1	Seal, Wash Pump
8	082-6303	1	Impeller
9	089-6303	1	Gasket, Water Pump
10	098-1507	2	Bolt, 5/16-18 X 7/8" HH, SS
11	098-2503	4	Washer, 5/16 Copper
12	098-1510	2	Bolt, 5/16-18 X 1 1/4" HH, SS
13	082-6302	1	Cover, Water Pump
14	092-1145	3	Plug, Pipe 1/8" SS
15	085-6321	1	Suction Tube
16	085-6320	1	Suction Tube Elbow
17	085-6198	1	Pipe, Discharge Weldment
18	098-9024	2	Clamp, Hose – Screw Type, Discharge Tube Sleeve
19	093-1048	1	Sleeve, Discharge Tube
20	098-9037	4	Clamp, Hose – Screw Type, Suction Tube Sleeve
21	093-1049	2	Sleeve, Suction Tube
22	093-1039	REP	Clamp – Sleeve Kit, Suction Tube
23	093-1040	REP	Clamp – Sleeve Kit, Discharge Tube
24	098-1434	1	Bolt, 1/4-20 X 2" HH, SS
25	092-1144	1	Pipe Plug, 3/8" SS
26	085-6408	1	Motor Plate
N/S	091-1029	Rep	Switch, Motor 1 1/2 & 1 HP, Internal
N/S	082-6306	Opt	Impeller, Open, SS
N/S	082-6307	Opt	Cover, Pump W/Studs, (For SS Open Impeller)



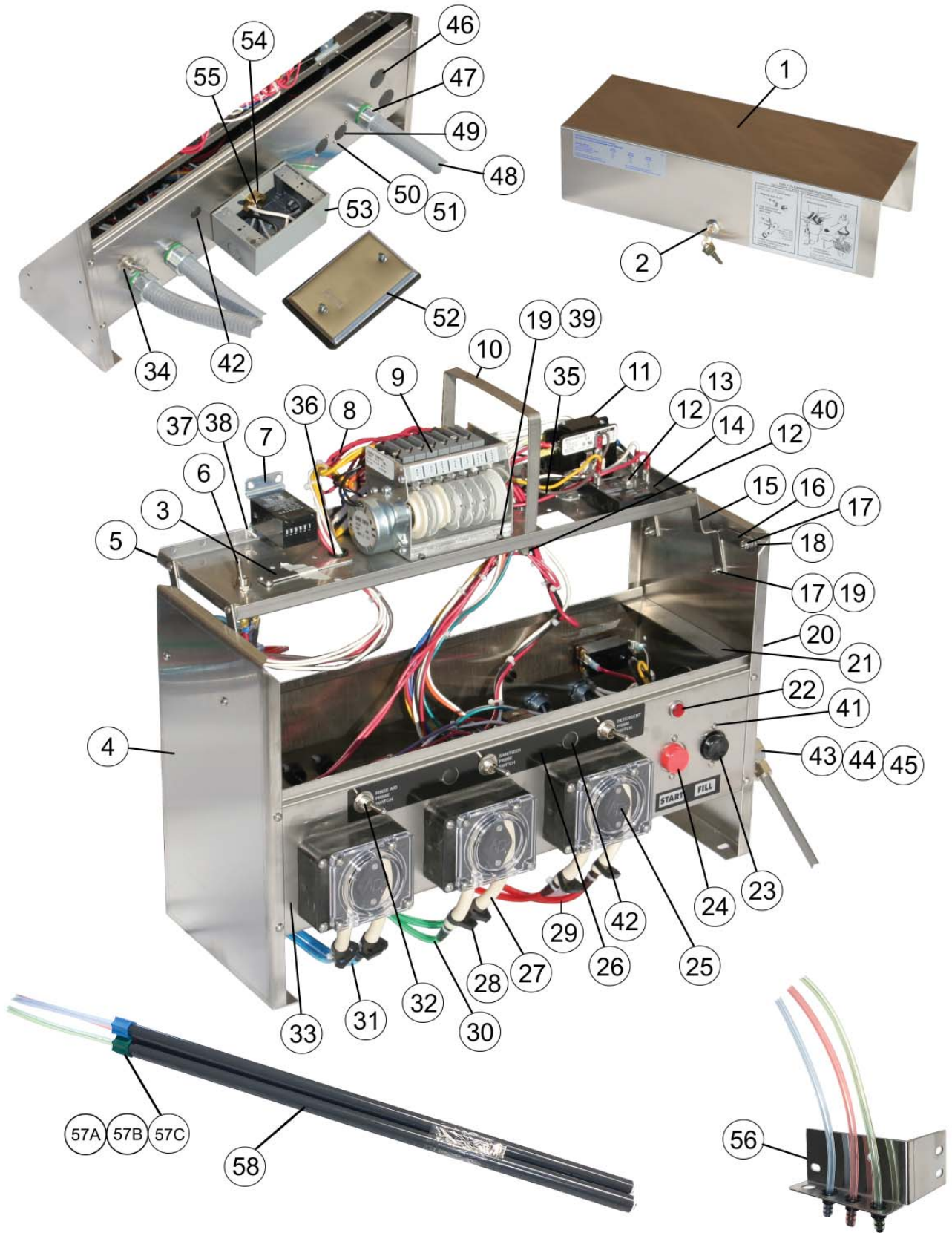
064-2600

Control System Assembly

AF/AFC 3D S

American Dish Service

Ref. No.	Part No.	No. Req.	Description
1	087-6433	1	COVER, CONTROL BOX
2	096-1002	1	LOCK, CONTROL BOX, WITH KEYS
3	099-1004	1	KEY, TIMER ADJUSTMENT
4	087-6431	1	CONTROL BOX END PANEL, LEFT SIDE
5	087-6435	1	CONTROL BOX SHELF, UPPER
6	091-3060	1	SWITCH, DELIME
7	091-3049	1	COUNTER, ELECTRIC, 110 VOLT
8	091-5033	1	HARNESS, WIRING
9	091-3051	1	TIMER, (7 CAM), 90 SECOND
10	086-6317	1	HANDLE, CONTROL BOX SHELF
11	091-3083	1	CONTACTOR
12	098-2507	5	NUT, LOCK, ¼-20 WITH NYLON INSERT
13	098-1420	1	SCREW, ¼-20 X 1 ¼" TRUSS HEAD SS
14	091-3059	1	RELAY, TIME DELAY, 110 VOLT "AUTO START SWITCH"
15	086-6678	4	HINGE, CONTROL BOX SHELF
16	086-6676	1	LATCH, CONTROL BOX SHELF SAFETY
17	098-2201	18	NUT, LOCK, 8-32 HEX WITH NYLON INSERT
18	098-2404	1	WASHER, ¼" SS FLAT
19	098-1204	25	SCREW, 8-32 X ½" RH SLOTTED SS
20	087-6430	1	CONTROL BOX END PANEL, RIGHT SIDE
21	086-6677	2	CONTROL BOX SHELF SUPPORT BRACKET
22	091-7006	1	LIGHT, INDICATOR
23	091-3001	1	SWITCH, BLACK FILL
24	091-3002	1	SWITCH, RED START
25	064-0010	3	CHEMICAL PUMP ASSEMBLY
26	089-9310	1	DECAL SET
27	087-6700	REP	TUBE, SQUEEZE, NORPRENE
28	098-1606	REP	CLAMP, TUBE, (CHEM. PUMP SQUEEZE TUBES)
29	093-1063	21'	TUBING, CHEMICAL LINE, ¼" RED POLYMER
30	093-1062	21'	TUBING, CHEMICAL LINE, ¼" GREEN POLYMER
31	093-1061	21'	TUBING, CHEMICAL LINE, ¼" BLUE POLYMER
32	091-3009	3	SWITCH, PRIME, MOMENTARY
33	087-6429	1	CONTROL BOX BOTTOM



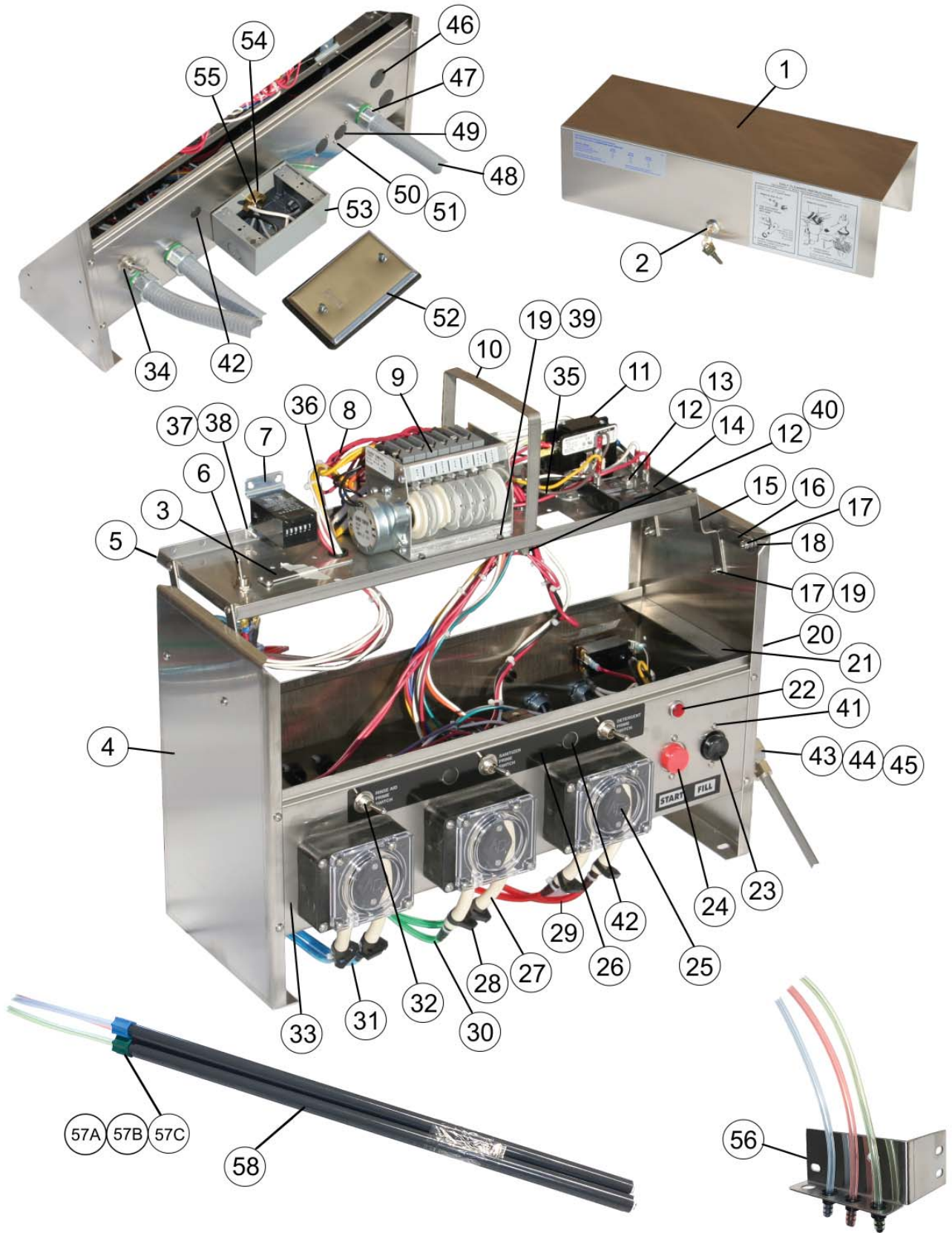
064-2600

Control System Assembly

AF/AFC 3D S

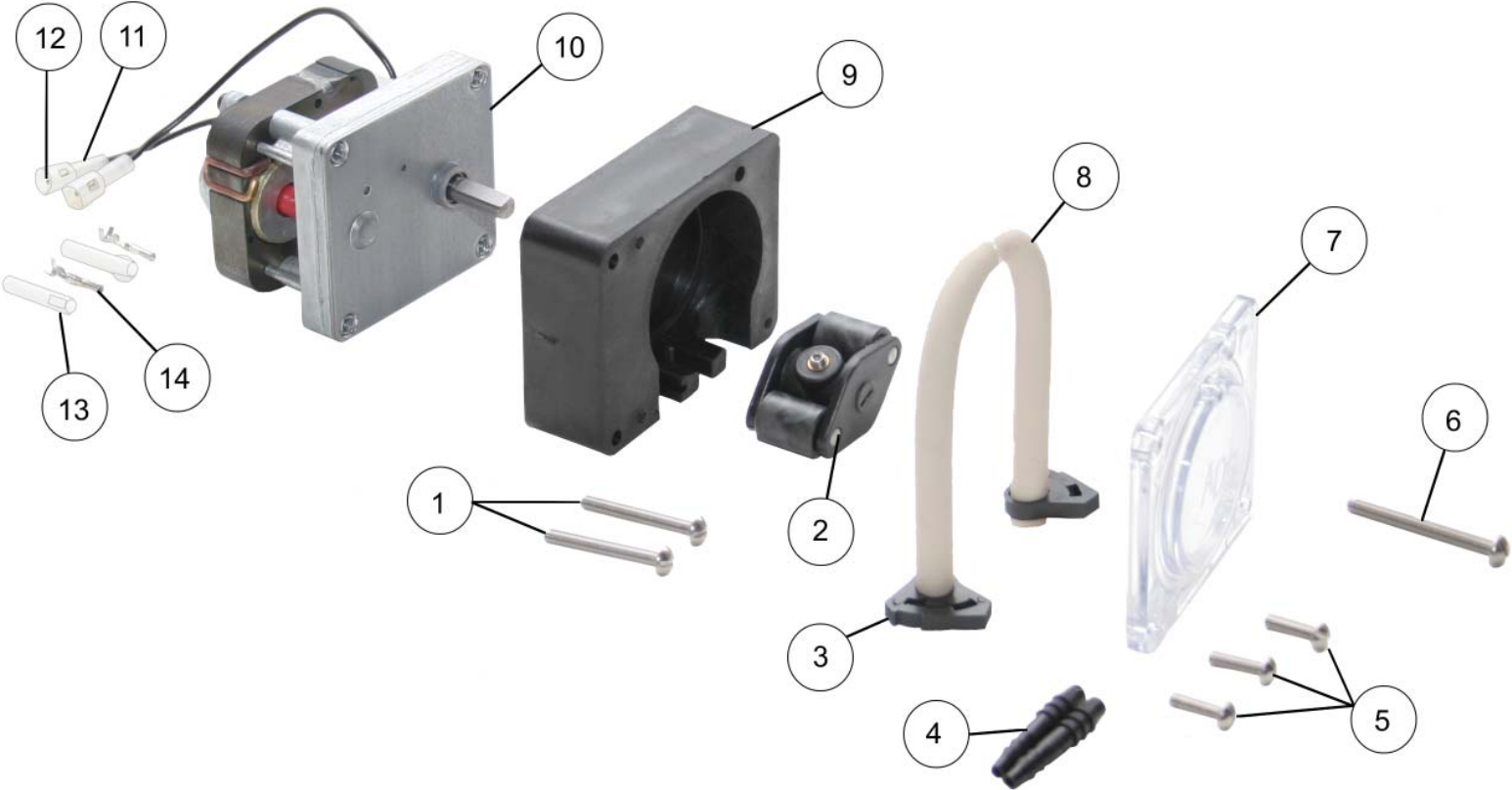
American Dish Service

Ref. No.	Part No.	No. Req.	Description
34	091-3008	1	SWITCH, MASTER
35	091-4017	1	GROMMET, 1 5/16" ID
36	091-4002	1	GROMMET, 1/2" ID
37	098-1104	2	SCREW, 6-32 X 1/2" RH SS
38	098-2101	2	NUT, 6-32 HEX SS
39	098-2202	7	NUT, 8-32 HEX SS
40	098-1423	4	BOLT, 1/4-20 X 1/2" HH SS
41	098-1102	4	SCREW, 6-32 X 1/4" RH SLOTTED SS
42	098-9022	3	PLUG, 3/8" PLASTIC, (FITS 1/2" HOLE)
43	092-1030	1	FITTING, PLUMBING, 3/8" COMP. X 1/2" FPT 90 ELBOW
44	091-4144	1	CONDUIT NUT, LOCK
45	092-1029	1	FITTING, PLUMBING, 1/2" X 3/8" REDUCER SS
46	098-9020	2	Plug, 7/8" PLASTIC
47	091-4141	4	CONDUIT FITTING, 1/2" STRAIGHT
NS	091-4142	2	CONDUIT FITTING, 1/2" 90 DEGREE ELBOW
48	091-5156	12.5'	CONDUIT, 1/2" (SOLD BY THE FOOT)
49	091-4019	2	GROMMET, SWITCH HOLE (CHEMICAL ALARM)
50	098-1107	4	SCREW, 4-40 X 1/4" RH SLOTTED SS
51	098-2001	4	NUT, LOCK, 4-40 SS
52	091-4004	1	COVER, JUNCTION BOX
53	091-4016	1	BOX, JUNCTION
54	292-1006	2	NUT, 1/2" FPT
55	292-3003	1	NIPPLE, 1/2" X CLOSE, SS
56	064-0041	1	CHEMICAL FEEDER ASSY W/CORNER SUPPORT BRKT
57A	091-4157	1	NUT, THREADED RED
57B	091-4158	1	NUT, THREADED BLUE
57C	091-4159	1	NUT, THREADED GREEN
58	083-6450	3	TUBE STIFFENER (CHEM CONTAINER-5 GALLON) THREADED
NS	089-0001	1	NAMEPLATE
NS	098-9011	6	RIVET, 1/8" POP
NS	099-4502	1	SWITCH, DOOR CUT-OFF
NS	086-6166	1	BRACKET, DOOR CUT-OFF
NS	098-2416	2	WASHER, 1/4" FLAT SS



064-0010
Chemical Pump Assembly
AF/AFC 3D S

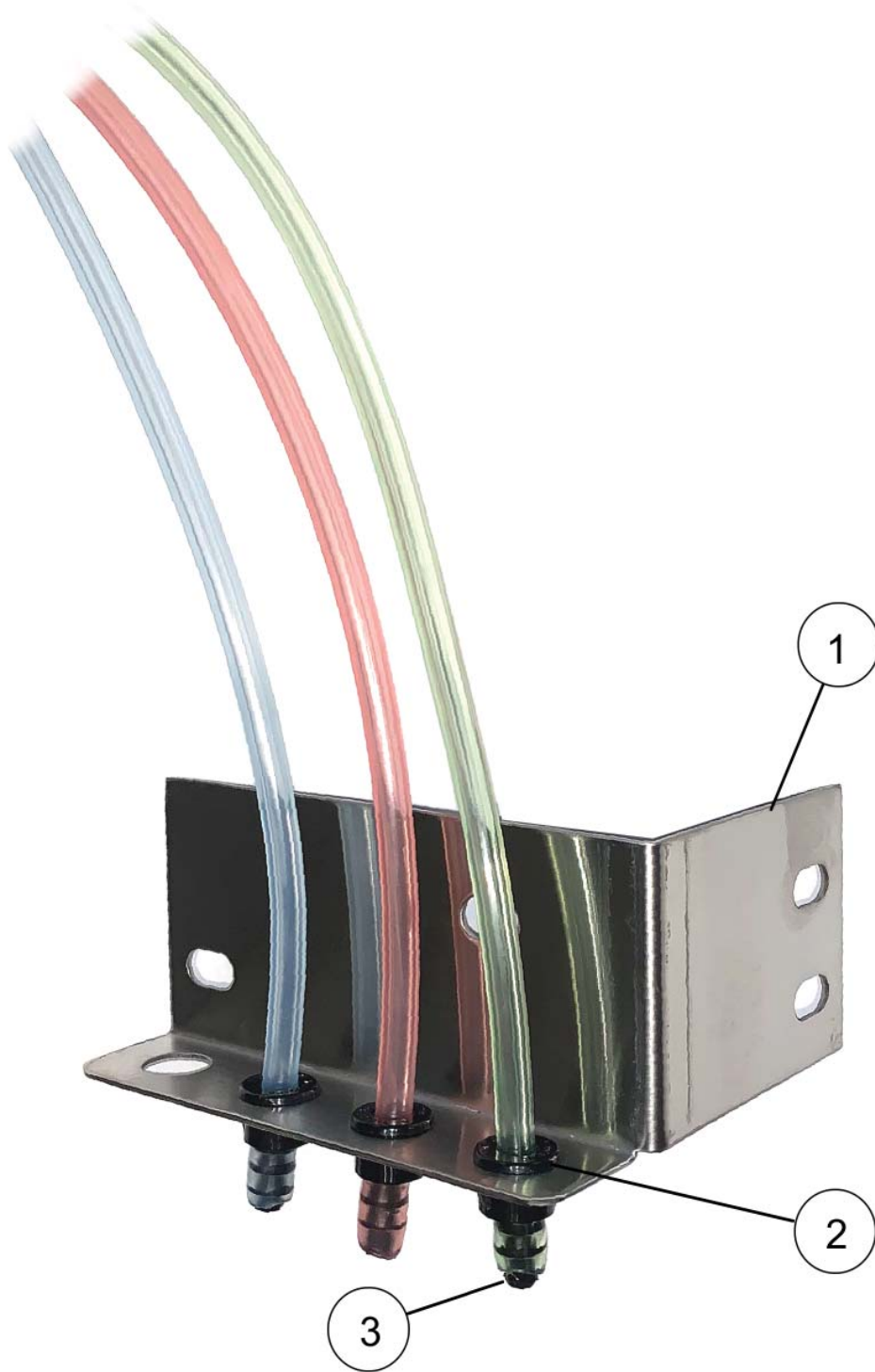
American Dish Service



064-0010
 Chemical Pump Assembly
 AF/AFC 3D S

American Dish Service

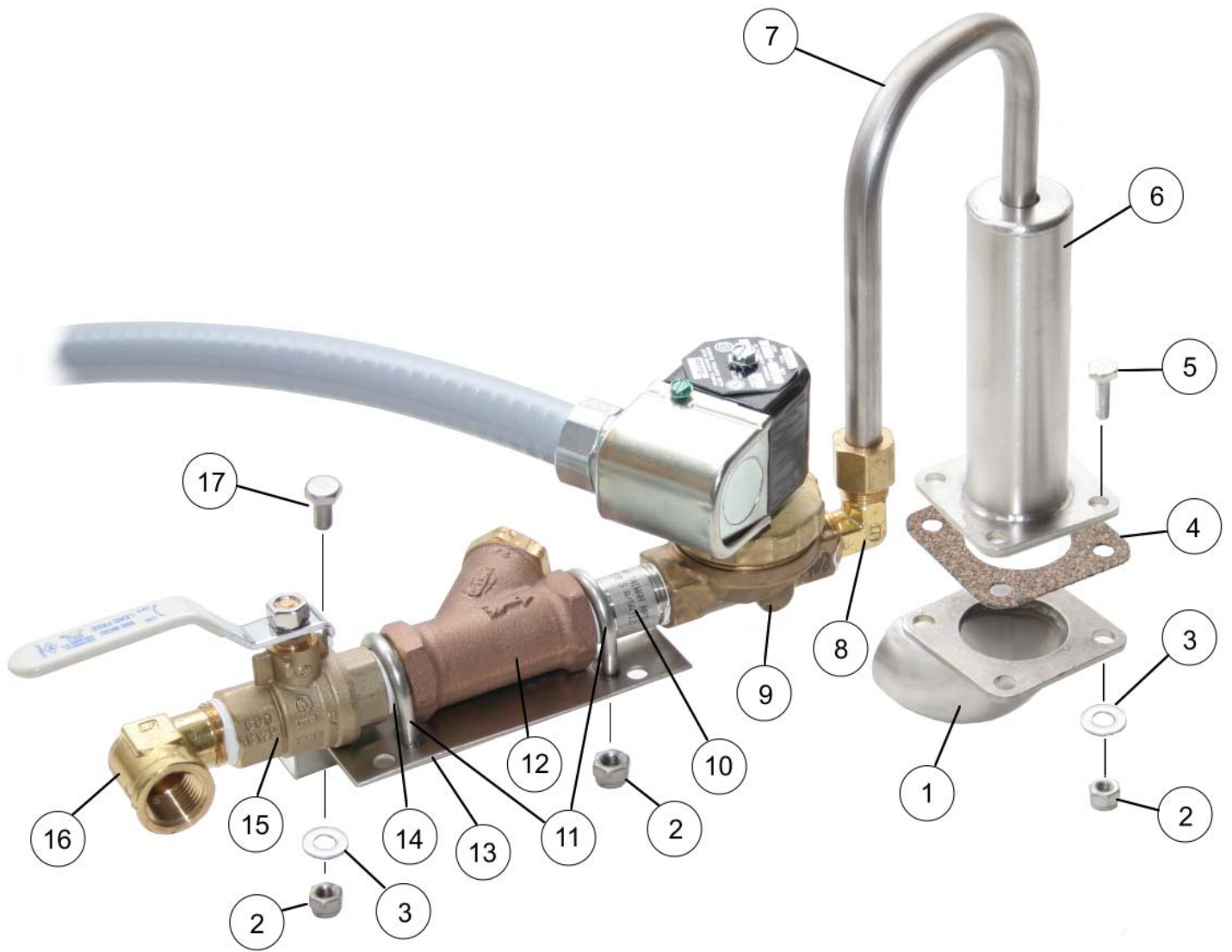
Ref. No.	Part No.	No. Req.	Description
1	098-1305	2	SCREW, 10-32 X 1 1/2" RH SLOTTED SS
2	067-6702	1	ROTOR ASSEMBLY, CHEMICAL PUMP, (EXTERNAL)
3	098-1606	2	CLAMP, TUBE, (CHEM. PUMP SQUEEZE TUBES)
4	092-1146	2	FITTING, TUBE, HOSE BARB REDUCER
5	098-1204	3	SCREW, 8-32 X 1/2" RH SLOTTED SS
6	098-1321	1	SCREW, 10-32 X 1 3/4" RH SLOTTED SS
7	083-6707	1	COVER, CHEMICAL PUMP, (EXTERNAL)
8	087-6700	1	TUBE, SQUEEZE, NORPRENE
9	083-6703	1	HOUSING, CHEMICAL PUMP (EXTERNAL)
10	091-1002	1	MOTOR, CHEMICAL PUMP, (50 RPM)
11	091-5223	2	HOUSING, WIRING, MOLEX MALE
12	091-5224	2	PIN, WIRING, MOLEX CONNECTOR MALE
13	091-5221	REP.	HOUSING, WIRING, MOLEX FEMALE
14	091-5222	REP.	PIN, WIRING, MOLEX CONNECTOR FEMALE
N/S	098-1322	REP	SCREW, 10-32 X 1/4", SET SCREW
N/S	087-6700PK	REP	TUBE, SQUEEZE, NORPRENE, 25 PACK
N/S	092-2000R	REP	TUBE, SQUEEZE, NORPRENE, 50 FT ROLL



064-0041
 Chemical Feeder Assembly
 AF/AFC 3D S

American Dish Service

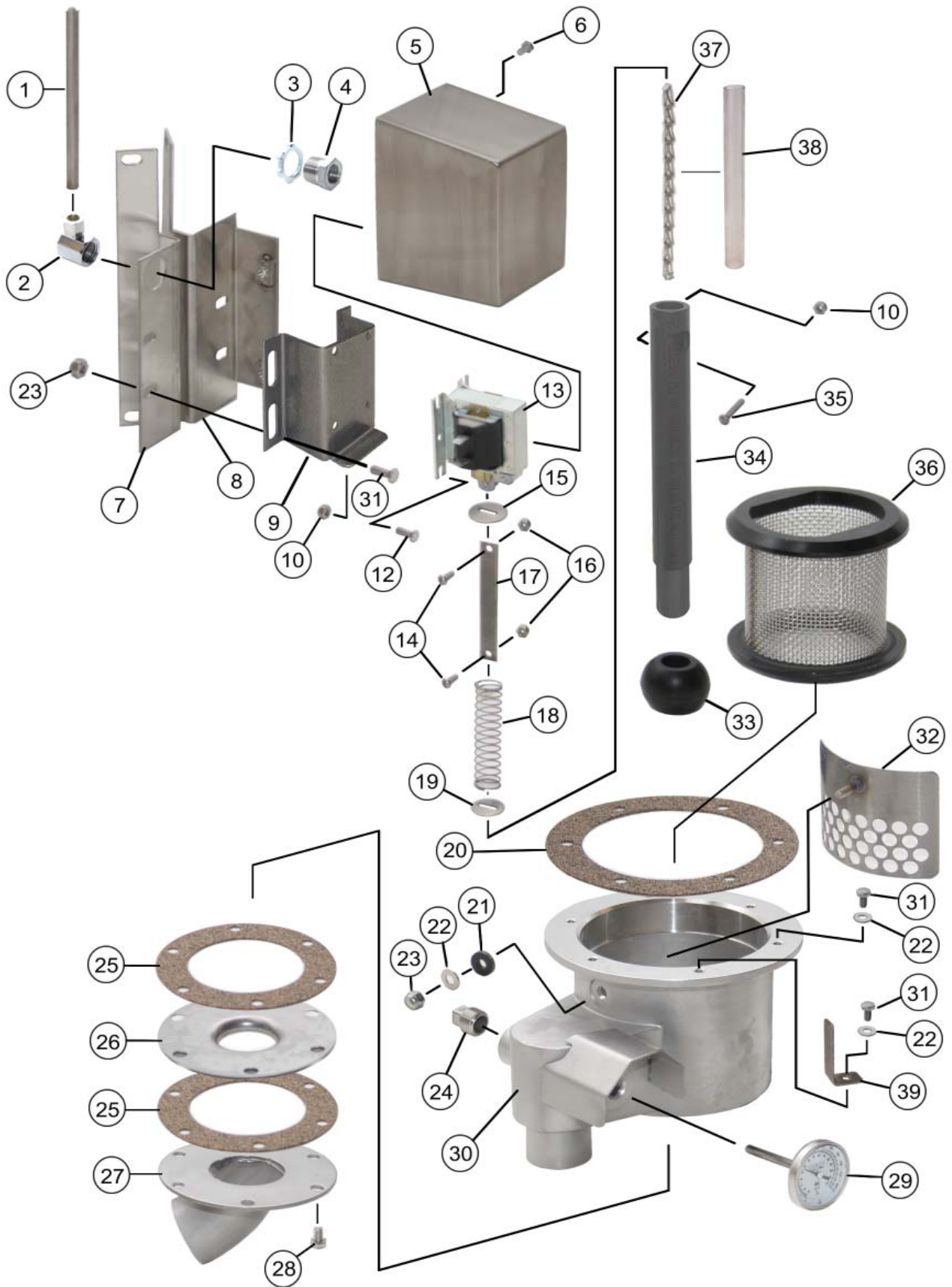
Ref. No.	Part No.	No. Req.	Description
1	086-6746	1	BRACKET, CHEM DISCHARGE, W/CORNER SUPPORT
2	091-4015	3	GROMMET, CHEMICAL FEEDER ASSY, ½" OD x ¼" ID
3	093-1043	3	FITTING, TUBE "HOSE BARB"
REP	093-1061	0	TUBING, CHEMICAL LINE, ¼" BLUE POLYMER, (BY THE FOOT)
REP	093-1062	0	TUBING, CHEMICAL LINE, ¼" GREEN POLYMER, (BY THE FOOT)
REP	093-1063	0	TUBING, CHEMICAL LINE, ¼" RED POLYMER, (BY THE FOOT)
REP	093-1061L	0	TUBING, CHEMICAL LINE, ¼" BLUE POLYMER, (100 FT LENGTH)
REP	093-1062L	0	TUBING, CHEMICAL LINE, ¼" GREEN POLYMER, (100 FT LENGTH)
REP	093-1063L	0	TUBING, CHEMICAL LINE, ¼" RED POLYMER, (100 FT LENGTH)
REP	093-1061R	0	TUBING, CHEMICAL LINE, ¼" BLUE POLYMER, (500 FT ROLL)
REP	093-1062R	0	TUBING, CHEMICAL LINE, ¼" GREEN POLYMER, (500 FT ROLL)
REP	093-1063R	0	TUBING, CHEMICAL LINE, ¼" RED POLYMER, (500 FT ROLL)



065-2000 Plumbing Assembly
AF/AFC 3D S

American Dish Service

Ref. No.	Part No.	No. Req.	Description
1	385-6124	1	ELBOW, AIR GAP OUTLET FLANGE
2	098-2507	10	NUT, LOCK, 1/4-20 WITH NYLON INSERT
3	098-2416	6	WASHER, 1/4" FLAT SS
4	389-6603	1	GASKET, AIR GAP
5	098-1426	4	BOLT, 1/4-20 X 3/4" HH
6	385-6121	1	AIR GAP
7	092-3118	1	TUBE, FRESH WATER SUPPLY
8	092-1062	1	FITTING, PLUMBING 1/2" COMP. X 1/2" MPT 90 ELBOW
9	092-5015	1	VALVE, WATER SOLENOID, COMPLETE - 1/2"
10	292-3014	1	NIPPLE, 1/2" X 2" SS
11	098-9027	2	BOLT-U, 1/4-20 SS
12	092-9001	1	LINE STRAINER, 1/2" Y TYPE
13	086-6537	1	BRACKET, MOUNTING, FRESH WATER PLUMBING
14	292-3003	1	NIPPLE, 1/2" X CLOSE, SS
15	092-5054	1	VALVE, BALL, 1/2"
16	092-1006	1	FITTING, PLUMBING, STREET "L" 1/2"
17	098-1423	2	BOLT, 1/4-20 X 1/2" HH
REP.	092-5016	0	KIT, WATER SOLENOID VALVE, J/E 1/2"
REP.	092-5025	0	VALVE, WATER SOLENOID, LESS COIL 1/2"
REP.	092-5017	0	COIL, WATER SOLENOID VALVE
REP.	091-4141	0	CONDUIT FITTING, 1/2" STRAIGHT
REP.	091-5156	0	CONDUIT, 1/2" (SOLD BY THE FOOT)
REP.	092-9002	0	SCREEN, LINE STRAINER, 1/2" Y TYPE



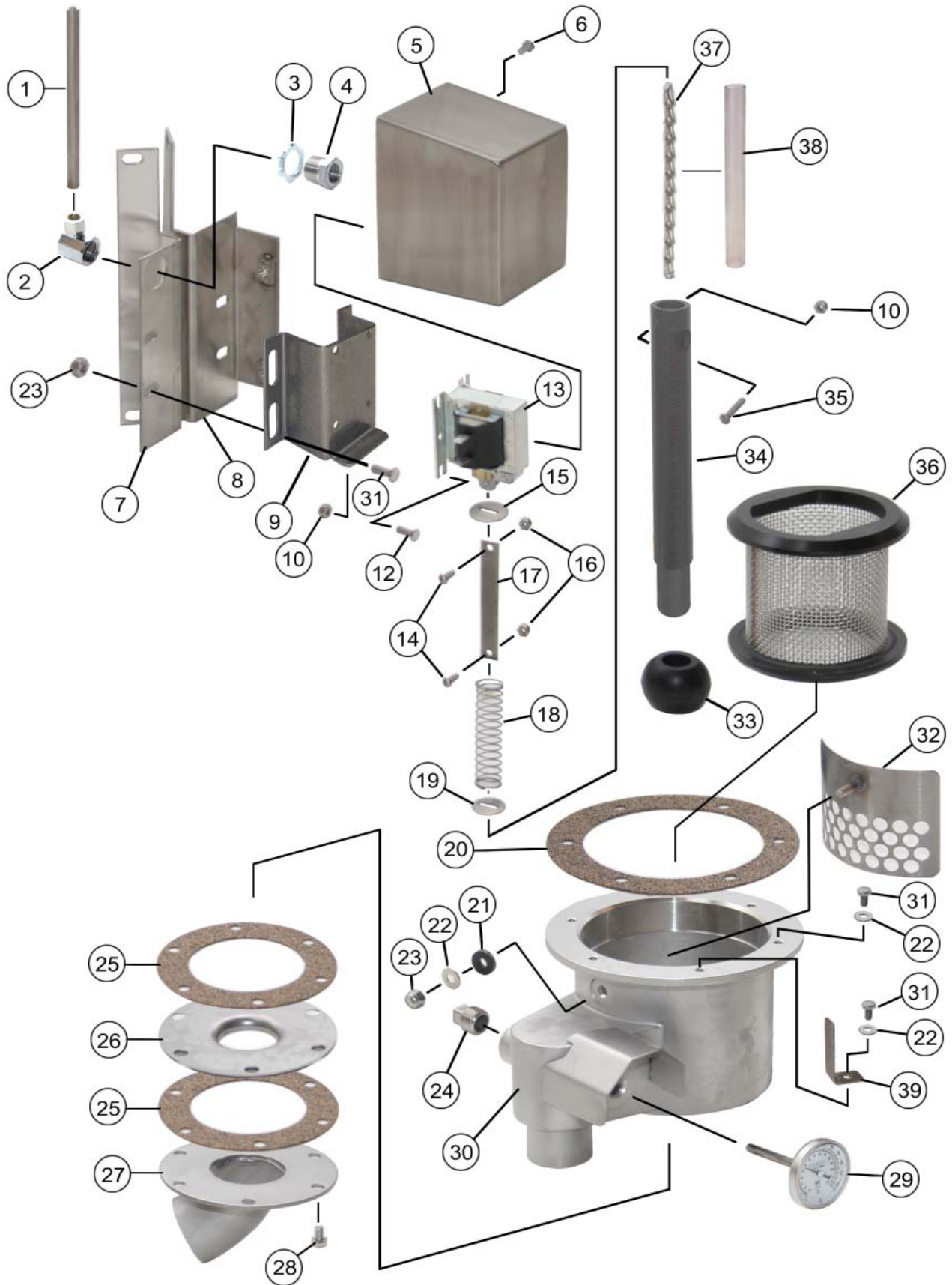
066-1300

Drain System Assembly

AF/AFC 3D S

American Dish Service

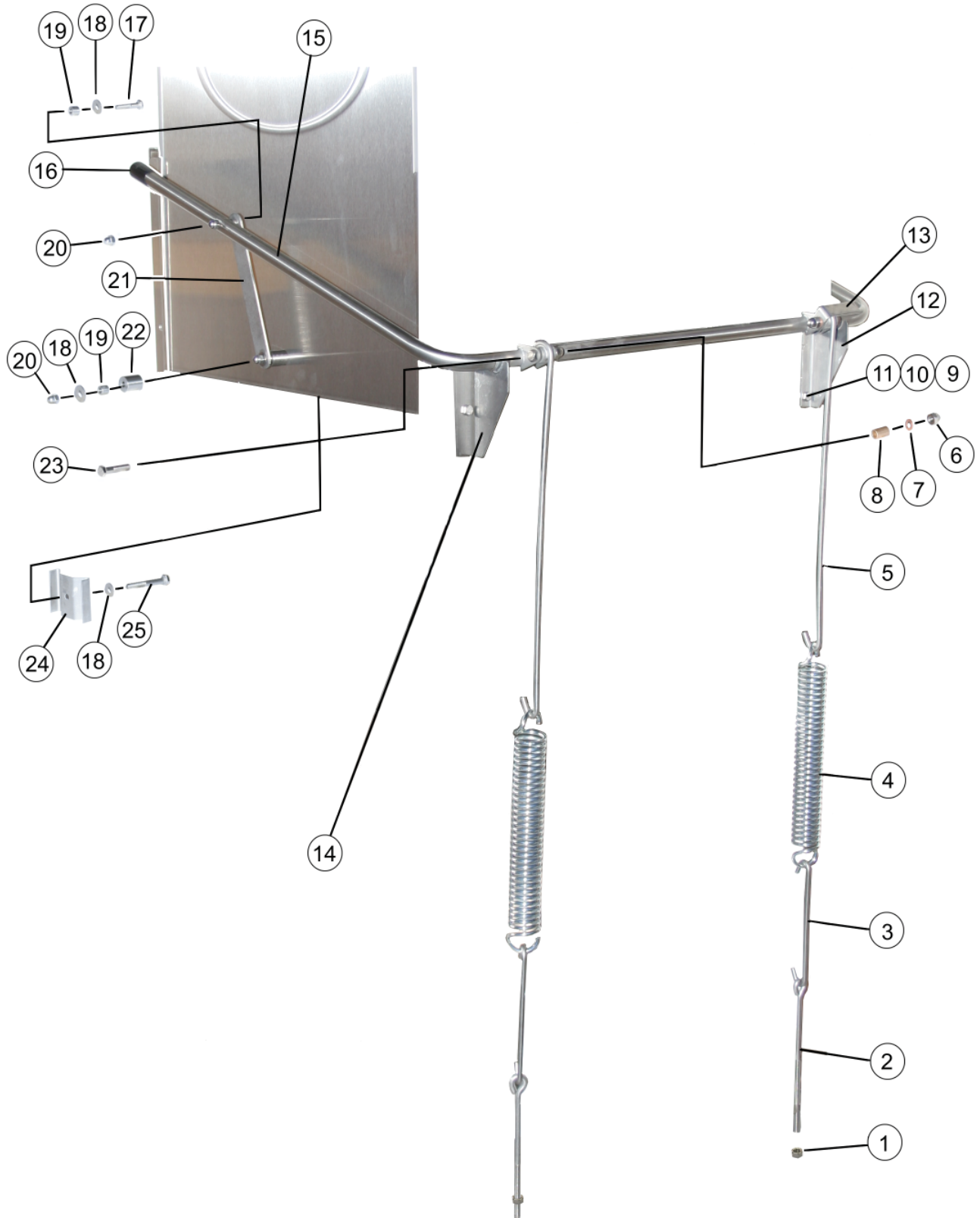
Ref. No.	Part No.	No. Req.	Description
1	086-6646	1	TUBE, "DRAIN" CONDUIT
2	092-1030	2	FITTING, PLUMBING, 3/8" COMP. X 1/2" FPT 90 ELBOW
3	091-4144	2	CONDUIT NUT, LOCK
4	092-1029	2	FITTING, PLUMBING, 1/2" X 3/8" REDUCER SS
5	085-6612	1	COVER, DRAIN SOLENOID
6	098-1413	2	SCREW, 1/4-20 X 3/8" TRUSS HEAD SLOTTED SS
7	086-6644	1	BRACKET, SOLENOID BASE MOUNTING (LH)
8	086-6645	1	BRACKET, SOLENOID BASE MOUNTING (RH)
9	086-6622	1	BASE, DRAIN SOLENOID
10	098-2301	5	NUT, LOCK, 10-32 WITH NYLON INSERT SS
12	098-1306	4	SCREW, 10-32 X 1/2" HH SS
13	091-2014	1	SOLENOID, DRAIN, 110 VOLT
14	098-1205	2	SCREW, 8-32 X 1/2" RH SLOTTED SS
15	086-6607	1	WASHER, SLOTTED, LARGE
16	098-2201	2	NUT, LOCK, 8-32 WITH NYLON INSERT SS
17	086-6605	1	LINK, DRAIN SOLENOID
18	098-3001	1	SPRING, DRAIN SOLENOID
19	086-6606	1	WASHER, SLOTTED, SMALL
20	089-6601	1	GASKET, DRAIN CASTING "SUMP"
21	098-9028	1	WASHER, SECONDARY SCREEN - FLAT RUBBER
22	098-2416	7	WASHER, 1/4" FLAT SS
23	098-2507	5	NUT, LOCK, 1/4-20 WITH NYLON INSERT
24	292-1012	1	PLUG, 1/2" MPT SS
25	089-6602	2	GASKET, DRAIN ELBOW
26	086-6601	1	DRAIN SEAT, 1 1/2"
27	085-6199	1	DRAIN ELBOW
28	098-1502	6	BOLT, 5/16-18 X 1/2" HH SS
29	099-1001	1	GAUGE, TEMPERATURE
30	085-6204	1	DRAIN CASTING, WITH TAIL PIECE
31	098-1423	10	BOLT, 1/4-20 X 1/2" HH SS
32	085-6160	1	SCREEN, DRAIN, SECONDARY



066-1300
 Drain System Assembly
 AF/AFC 3D S

American Dish Service

Ref. No.	Part No.	No. Req.	
33	083-6601	1	DRAIN BALL, 1 1/2"
34	084-6608	1	DRAIN, TUBE, 9 1/2" LONG
35	098-1311	1	SCREW, 10-38 X 1 3/8" RH SS
36	085-6602	1	SCREEN, DRAIN
37	089-6610	1	CHAIN, DRAIN, PRE-CUT
38	084-6622	1	COVER, CHAIN-VINYL
39	086-6615	2	BRACKET, WATER FIN
REP.	081-6601	0	DRAIN TUBE ASSEMBLY, BALL & TUBE 1 1/2"



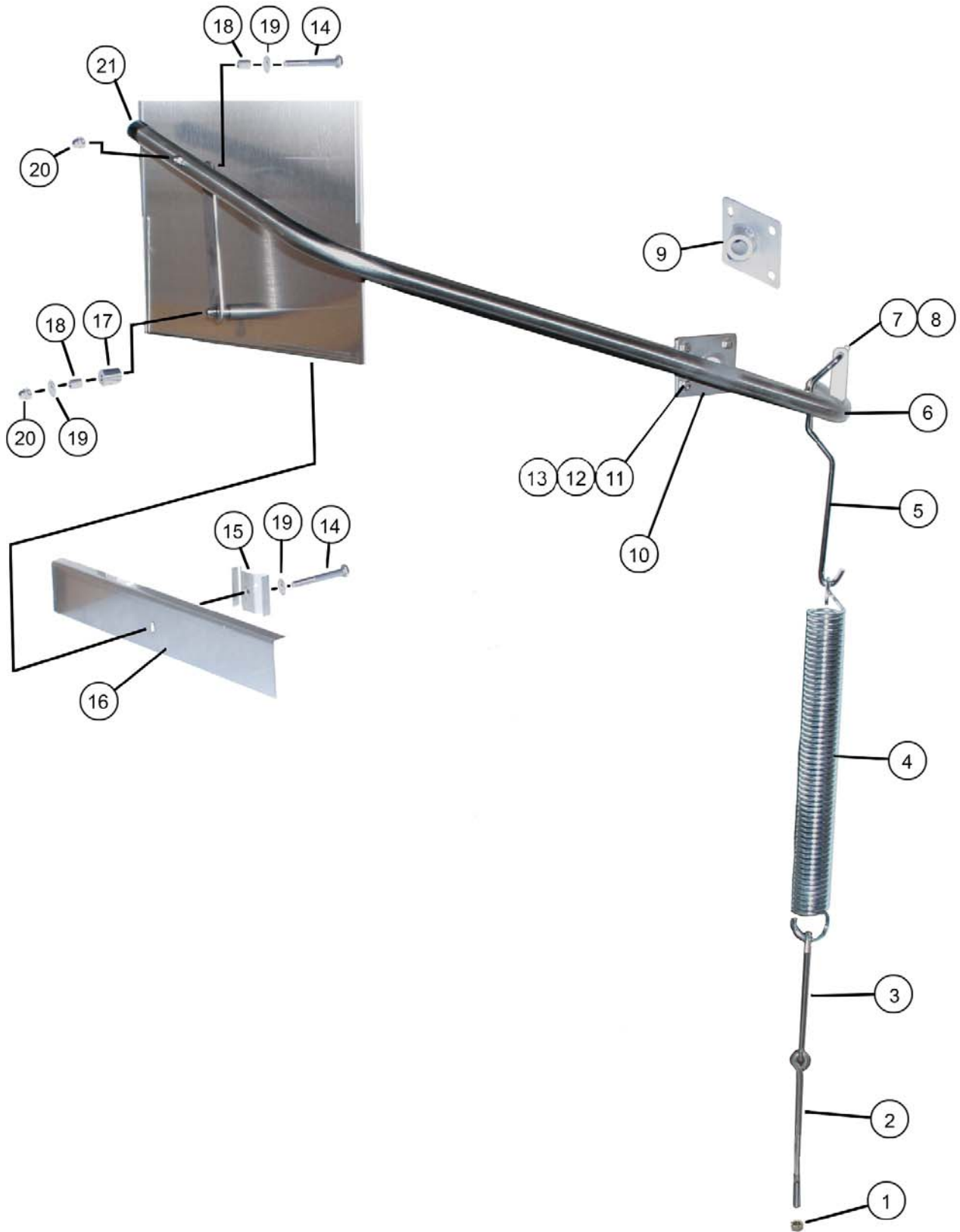
067-1000

Door Actuator Assembly

AF 3D S

American Dish Service

Ref. No.	Part No.	No. Req.	Description
1	098-2502	2	NUT, 5/16-18 HEX SS
2	098-1581	2	BOLT, EYE, 5/16-18 X 8 5/8" SS
3	086-6737	2	SPRING EXTENSION, SECONDARY, SS, (APPROX. 5")
4	098-3003	2	SPRING, DOOR
5	085-6701	2	SPRING EXTENSION,
6	098-2505	2	NUT, CAP, 5/16-18 SS
7	098-2503	2	WASHER, 5/16 COPPER
8	098-4002	2	BUSHING, BRONZE
9	098-1423	4	BOLT, 1/4-20 X 1/2" HH SS
10	098-2416	4	WASHER, 1/4" FLAT SS
11	098-2507	4	NUT, LOCK, 1/4-20, SS, WITH NYLON INSERT
12	085-6707	1	BRACKET, LEVER ARM SUPPORT, 7/8" RH
13	086-6623	1	BRACKET, DOOR CUT- OFF "L" SHAPED
14	085-6703	1	BRACKET, LEVER ARM SUPPORT, 7/8" LH
15	085-6726	1	LEVER ARM
16	099-1018	2	CAP, 3/4" LEVER ARM
17	098-1431	2	BOLT, 1/4-20 X 1 3/8" HH SS
18	098-2404	6	WASHER, 1/4" SS FLAT (LARGE)
19	084-6703	4	BUSHING, (DOWEL) , 3/8" LONG
20	098-2405	4	NUT, CAP, 1/4-20 SS
21	086-6702	2	DOOR LINK, STANDARD
22	084-6702	2	SPACER, DOOR
23	098-1514	2	BOLT, 5/16-18 X 1 1/2" HH SS
24	086-6701	2	DOOR STOP
25	098-1432	2	BOLT, 1/4-20 X 1 3/4" HH SS
N/S	088-1061	OPT.	KIT, LEVER ARM CONVERSION (CONVERTS STRAIGHT TO CORNER)



067-1100

Door Actuator Assembly

AFC 3D S

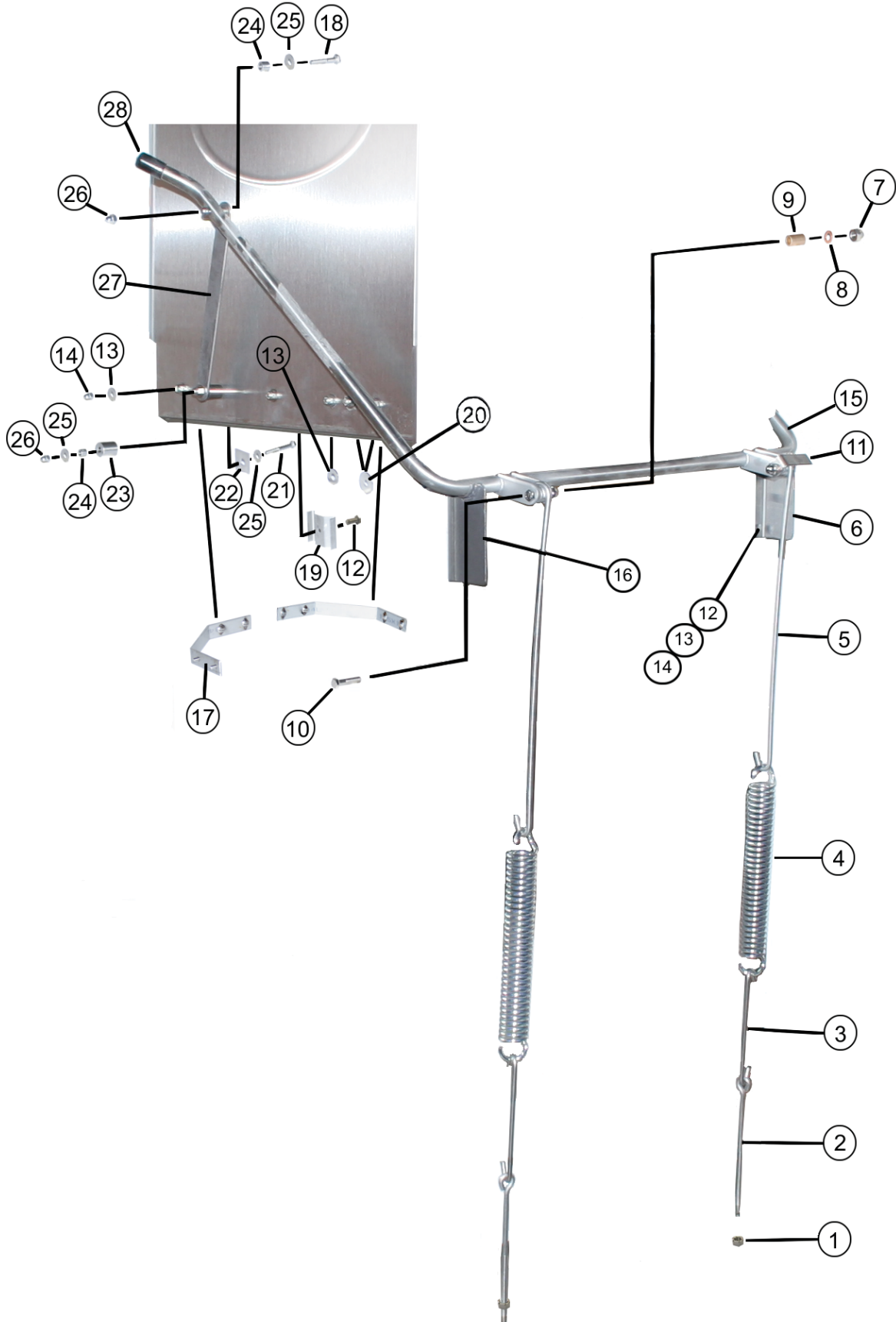
American Dish Service

Ref. No.	Part No.	No. Req.	Description
1	098-2502	1	NUT, 5/16-18 HEX SS
2	098-1581	1	BOLT, EYE, 5/16-18 X 8 5/8" SS
3	086-6737	1	SPRING EXTENSION, SECONDARY, SS, (APPROX. 5")
4	098-3011	1	SPRING, DOOR
5	085-6721	2	SPRING EXTENSION, CORNER
6	085-6725	1	LEVER ARM
7	098-8006	1	PIN, COTTER
8	098-2503	1	WASHER, 5/16 COPPER
9	085-6807	1	BRACKET, LEVER ARM PIVOT, CORNER, SHORT, LH
10	085-6808	1	BRACKET, LEVER ARM PIVOT, CORNER, LONG, RH
11	098-1423	8	BOLT, 1/4-20 x 1/2" HH SS
12	098-2416	8	WASHER, 1/4" FLAT SS
13	098-2507	8	NUT, LOCK, 1/4-20, SS, WITH NYLON INSERT
14	098-1434	4	BOLT, 1/4-20 x 2" HH SS
15	086-6701	2	DOOR STOP
16	087-6701	2	BRACE, DOOR
17	084-6702	2	SPACER, DOOR
18	084-6701	4	BUSHING, (DOWEL), 5/8"
19	098-2404	6	WASHER, 1/4" SS FLAT (LARGE)
20	098-2405	4	NUT, CAP, 1/4-20 SS
21	092-1086	2	CAP, LEVER ARM, 1"
N/S	088-1062	OPT.	KIT, LEVER ARM CONVERSION (CONVERTS CORNER TO STRAIGHT)

067-1900

Door Actuator Assembly
AF/AFC 3D S 3 Door Up Option

American Dish Service



067-1900

Door Actuator Assembly

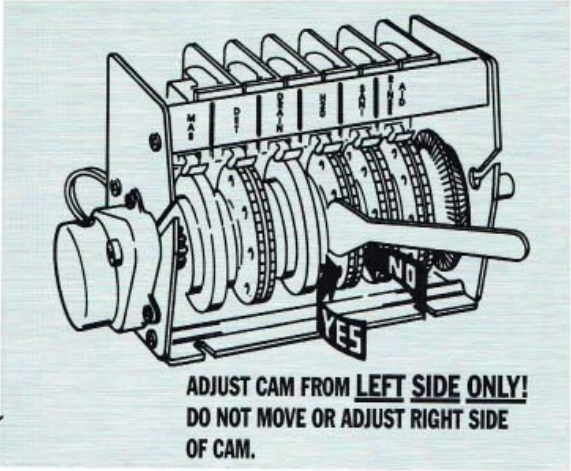
AF/AFC 3D S 3 Door Up Option

American Dish Service

Ref. No.	Part No.	No. Req.	Description
1	098-2502	2	NUT, 5/16-18 HEX SS
2	098-1581	2	BOLT, EYE, 5/16-18 X 8 5/8" SS
3	086-6737	2	SPRING EXTENSION, SECONDARY, SS, (APPROX. 5")
4	098-3003	2	SPRING, DOOR
5	085-6701	2	SPRING EXTENSION,
6	085-6184	1	BRACKET, LEVER ARM SUPPORT, RH
7	098-2505	2	NUT, CAP, 5/16-18 SS
8	098-2503	2	WASHER, 5/16 COPPER
9	098-4002	2	BUSHING, BRONZE
10	098-1514	2	BOLT, 5/16-18 x 1 1/2" HH SS
11	086-6623	1	BRACKET, DOOR CUT-OFF "L" SHAPED
12	098-1423	13	BOLT, 1/4-20 x 1/2" HH SS
13	098-2416	25	WASHER, 1/4" FLAT SS
14	098-2507	23	NUT, LOCK, 1/4-20, SS, WITH NYLON INSERT
15	085-6728	1	LEVER ARM, 3 DOOR UP
16	385-6119	1	BRACKET, LEVER ARM SUPPORT, LH
17	085-6414	2	BRACKET, (BRACE), DOOR, 3 DOOR UP
18	098-1431	2	BOLT, 1/4-20 x 1 3/8" HH SS
19	086-6701	2	DOOR STOP
20	098-2406	4	WASHER, 1/4" FENDER
21	098-1432	2	BOLT, 1/4-20 x 1 3/4" HH SS
22	086-6338	2	WASHER, SS, SQUARE
23	084-6702	2	SPACER, DOOR
24	084-6703	4	BUSHING, (DOWEL), 3/8" Long
25	098-2404	6	WASHER, 1/4" SS FLAT (LARGE)
26	098-2405	4	NUT, CAP, 1/4-20 SS
27	086-6828	2	DOOR LINK
28	099-1018	2	CAP, 3/4" LEVER ARM

- CAUTION -
Operation by authorized technician only.
Delime agent mixed with sanitizer will produce **DANGEROUS GASES.**
Use delime agent with clean water only.

1 **CONNECT TO ELECTRICAL SUPPLY SOURCE**
USING 12-10 AWG COPPER WIRE
CIRCUIT PROTECTION: 20 AMP CIRCUIT BREAKER
OR FUSE WITH A 20 AMP RATING



2 **3**



START **FILL**

MINIMUM WATER LEVEL INDICATED BY LINE

MAXIMUM WATER LEVEL INDICATED BY OVERFLOW PORT

NSF Machine Operational Requirements
as manufactured by American Dish Service

MODEL SERIES:	AF-3D (S) AFC-3D (S)	A-3D (S) AC-3D (S)	AH-3D (S) AHC-3D (S)
Seconds per wash cycle:	15	40	75
Seconds per heat (drying/flash):	15	15	15
Seconds per rinse cycle:	30	45	60

Wash Temperature: 120° F minimum
Requirement: 20 ppm available chlorine rinse (200)

Rinse Temperature: 120° F minimum
Total water demand: 2.2 gal per cycle pumped

DAILY CLEANING INSTRUCTIONS - NECESSARY TO MAKE MACHINE FUNCTION PROPERLY

INSPECT TOP & BOTTOM SPRAY ARM JETS EACH SHIFT

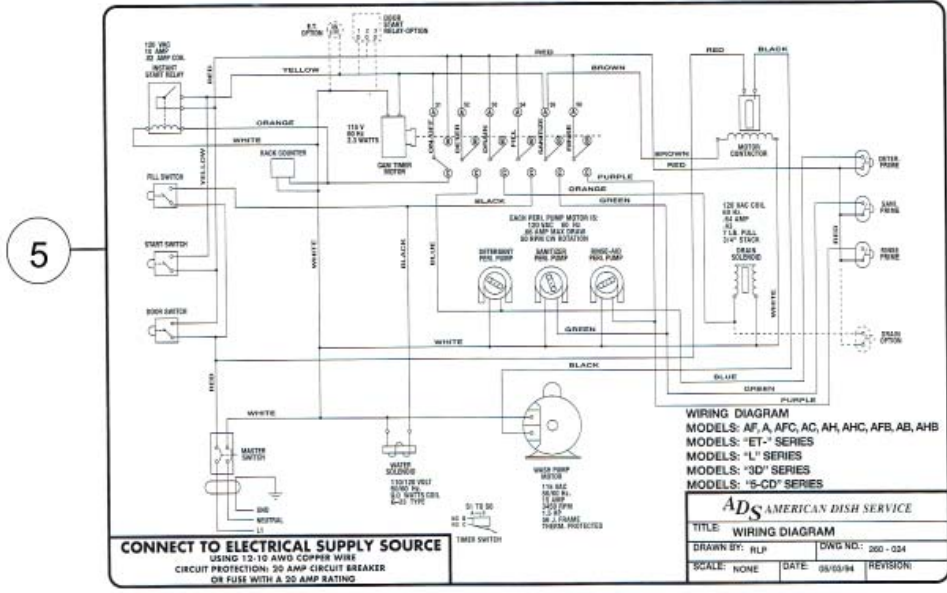
- REMOVE END PLUG
- USE TOOTHPICK AND PUNCH TRASH INTO ARM
- FLUSH TRASH FROM ARM BY RINSING UNDER FAUCET - REPLACE PLUGS.

CAUTION: ARM WILL NOT TURN IF END JETS ARE PLUGGED

CLEAN STRAINER SCREEN EVERY SHIFT

- REMOVE SCREEN
- THOROUGHLY CLEAN SCREEN

SCRUB WITH HEAVY BRUSH; RINSE UNDER FAUCET. REINSTALL.



089-9310
Decal SET AF/AFC 3D S

American Dish Service

Ref. No.	Part No.	No. Req.	Description
1	089-9257	1	DECAL, DELIMITING
2	089-9209	1	DECAL, CONNECT TO POWER SOURCE
3	089-9321	1	DECAL, PRIME SWITCHES
4	089-9312	1	DECAL, NSF
5	089-9201	1	DECAL, WIRING DIAGRAM
6	089-9227	1	DECAL, TIMER CAM ADJUSTMENT
7	089-9237	1	DECAL, START – FILL
8	089-9226	1	DECAL, TIMER CAM
9	089-9308	1	DECAL, WATER LEVEL
10	089-9204	1	DECAL, CLEANING INSTRUCTIONS

American Dish Service

*Manufacturer of low and high temperature
Commercial Dishwashers and Glasswashers*

900 Blake Street
Edwardsville, Kansas 66111
Ph:(913) 422-3700
Fax:(913) 422-6630